

LEAD-FREE* PUSH FITTINGS, VALVES & FLEXIBLE CONNECTORS

APPLICATIONS

- Specifically designed for use in commercial and residential potable water systems
- For use with: Hard drawn copper K, L, and M; PEX (with tube stiffeners); CPVC

MATERIALS & CONSTRUCTION

- NIBCO lead-free dezincification resistant (DZR) fittings and valves are made of high quality lead-free brass
- Flexible connector hose made with reinforced braided stainless steel

DESIGN CRITERIA

- Certified to 200 psi and 200° F
- Fittings meet NSF/ANSI 14, 61 and 372 and ASSE 1061
- Valves certified to NSF/ANSI 61 & 372 and IGC-157
- Flexible connectors meet NSF/ANSI 61 & 372, ASME A112.18.6, CSA B125.6, and ICG-157

* Weighted average lead content ≤ 0.25%

Take care of plumbing system repairs or remodeling projects fast with a variety of NIBCO® Push-to-Connect fittings and valves that you simply push into place until they lock. Top-flight delivery rates ensure you'll have NIBCO product available when you need it, saving you time so you can easily increase your business.

FITTINGS, VALVES & FLEXIBLE CONNECTORS



NIBCO®

PUSH

AHEAD OF THE FLOW®

NIBCO INC.

WORLD HEADQUARTERS

WEB: www.nibco.com

1516 MIDDLEBURY STREET

ELKHART, IN 46516-4740

USA

DOMESTIC CUSTOMER SERVICE

PHONE: 800.234.0227

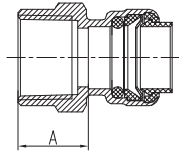
FAX: 800.234.0557

INTERNATIONAL OFFICE

PHONE: +1/574.295.3327

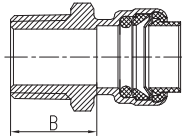
FAX: +1/574.295.3455

ADAPTERS



P703-LF
Lead-Free* Adapter - Push x Female

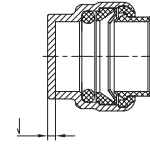
NOM. SIZE	APPROX. NET WT./LBS.	DIM. A INCHES
1/4 x 1/2	0.13	13/16
3/8 x 1/2	0.11	3/4
1/2	0.11	23/32
1/2 x 3/4	0.15	25/32
3/4	0.17	11/16
1	0.29	29/32



P704-LF
Lead-Free* Adapter - Push x Male

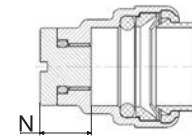
NOM. SIZE	APPROX. NET WT./LBS.	DIM. B INCHES
1/4 x 1/2	0.13	7/8
3/8 x 1/2	0.13	7/8
1/2	0.12	7/8
1/2 x 3/4	0.16	1
3/4	0.19	15/16
1	0.32	1 1/8
1 x 3/4	0.22	1 1/32

CAPS



P717-LF
Lead-Free* Cap - Push

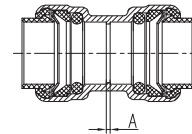
NOM. SIZE	APPROX. NET WT./LBS.	DIM. N INCHES
1/4	0.03	1/16
3/8	0.05	3/32
1/2	0.05	1/16
3/4	0.10	3/32
1	0.17	3/32



P717-D-LF
Lead-Free* Cap with drain

NOM. SIZE	APPROX. NET WT./LBS.	DIM. N INCHES
1/2	0.08	13/32

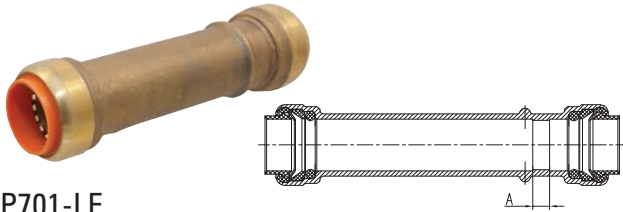
COUPLINGS



P700-LF
Lead-Free* Coupling - Push x Push

NOM. SIZE	APPROX. NET WT./LBS.	DIM. A INCHES
1/4	0.05	1/32
1/4 x 1/2	0.09	1/8
3/8	0.08	1/32
3/8 x 1/4	0.07	1/16
3/8 x 1/2	0.09	3/32
1/2	0.08	1/32
3/4	0.15	3/32
3/4 x 1/2	0.13	1/32
1	0.27	1/8
1 x 3/4	0.22	3/32

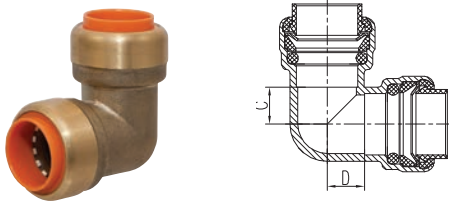
COUPLINGS CONT'D



P701-LF
Lead-Free* Repair Coupling - Push x Push

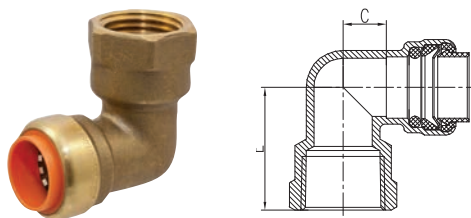
NOM. SIZE	APPROX. NET WT./LBS.	DIM. A INCHES
1/2	0.20	7/32
3/4	0.32	7/32
1	0.50	5/16

ELBOWS



P707-LF
Lead-Free* 90° Elbow - Push x Push

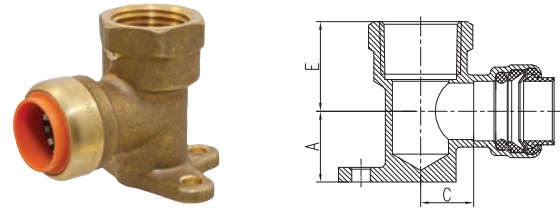
NOM. SIZE	APPROX. NET WT./LBS.	DIM. C INCHES	DIM. D INCHES
1/4	0.07	1/4	1/4
3/8	0.09	9/32	9/32
1/2	0.12	3/8	3/8
1/2 x 3/8	0.13	11/32	17/32
3/4	0.22	15/32	15/32
3/4 x 1/2	0.16	5/8	5/8
1	0.40	21/32	3/8



P707-3-LF
Lead-Free* 90° Elbow - Push x Female

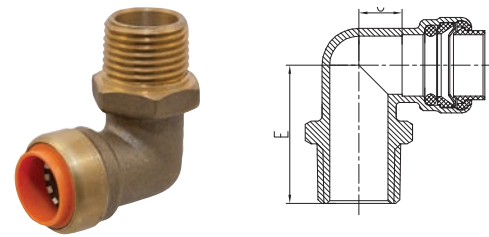
NOM. SIZE	APPROX. NET WT./LBS.	DIM. C INCHES	DIM. E INCHES
1/2	0.16	7/16	1 1/4
3/4	0.27	9/16	1 7/16

ELBOWS CONT'D



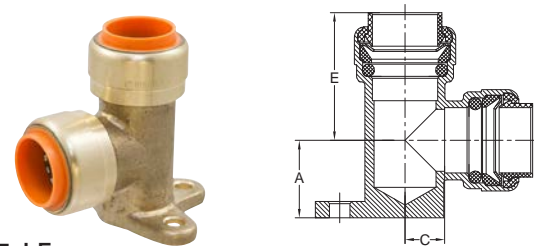
P707-3-5-LF
Lead-Free* 90° Drop Elbow - Push x Female

NOM. SIZE	APPROX. NET WT./LBS.	DIM. C INCHES	DIM. E INCHES	DIM. A INCHES
3/8 x 1/2	0.20	7/16	15/16	3/4
1/2	0.21	3/4	9/16	15/16
3/4	0.32	1 7/32	1 3/16	13/16



P707-4-LF
Lead-Free* 90° Elbow - Push x Male

NOM. SIZE	APPROX. NET WT./LBS.	DIM. C INCHES	DIM. E INCHES
1/4 x 3/8	0.16	5/16	1 1/16
1/2	0.17	7/16	1 13/32
1/2 x 3/8	0.17	9/16	1 7/32
3/4	0.26	17/32	1 5/8

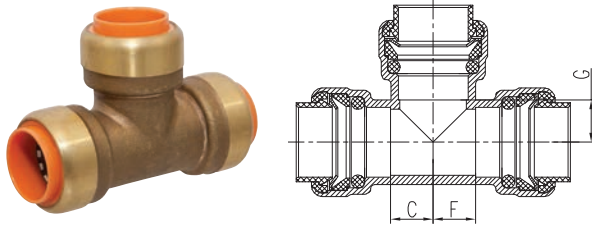


P707-5-LF
Lead-Free* 90° Drop Elbow - Push x Push

NOM. SIZE	APPROX. NET WT./LBS.	DIM. A INCHES	DIM. C INCHES	DIM. E INCHES
1/2	0.19	3/4	3/8	1 1/4

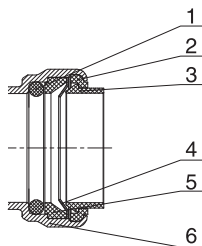
* Weighted average lead content ≤ 0.25%

TEES



P711-LF
Lead-Free* Tee - Push x Push x Push

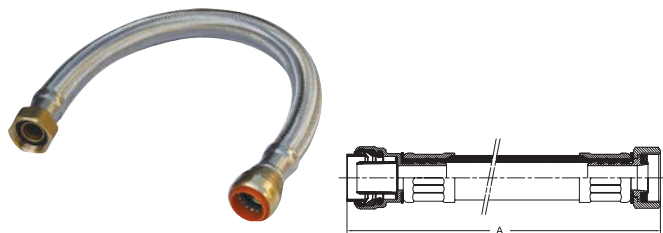
NOM. SIZE	APPROX. NET WT. LBS.	DIMENSIONS INCHES		
		C	F	G
1/4	0.10	1/4	1/4	1/4
3/8	0.13	9/32	9/32	9/32
1/2	0.16	3/8	3/8	3/8
1/2 x 1/2 x 1/4	0.15	1/4	5/16	1/2
1/2 x 1/2 x 3/8	0.15	1/4	1/4	3/8
3/8 x 3/8 x 1/2	0.17	5/16	5/16	1/2
3/4	0.30	1/2	1/2	1/2
3/4 x 1/2 x 1/2	0.22	5/8	5/8	5/8
3/4 x 1/2 x 3/4	0.28	3/8	3/8	9/16
3/4 x 3/4 x 1/2	0.26	1/2	1 1/16	1/2
1	0.54	5/8	3/8	3/8
1 x 1 x 3/4	0.44	1/2	1/2	3/8



Lead-Free* Push Fittings - MATERIAL LIST

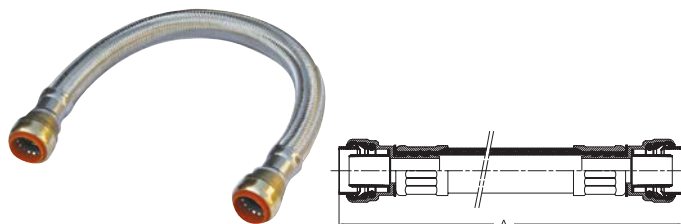
PART	SPECIFICATION
1. Oring	EPDM
2. Nut	POM
3. Release Collar	POM
4. Grip Ring	316SS
5. Protector Ring	POM
6. Body	Lead-Free Brass

FLEXIBLE CONNECTORS



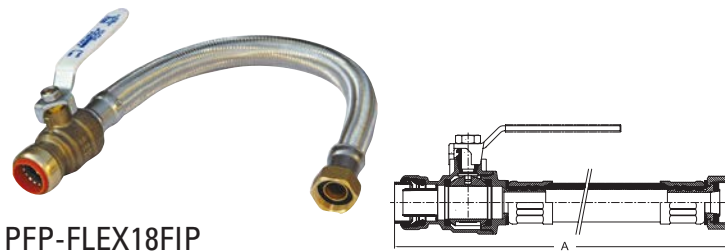
P-FLEX18FIP
Lead-Free* Water Heater Connector - Push x FIP ⚠

NOM. SIZE	APPROX. NET WT./LBS.	DIM. A INCHES
1/2 x 3/4	0.537	18
3/4 x 3/4	0.613	18



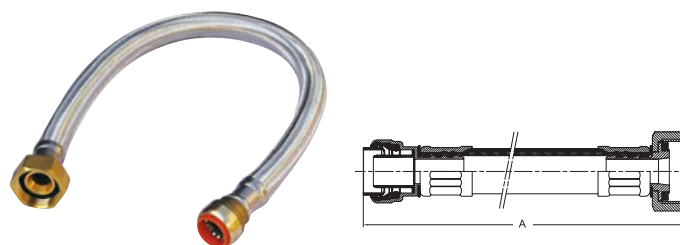
P-FLEX18
Lead-Free* Repair Connector - Push x Push ⚠

NOM. SIZE	APPROX. NET WT./LBS.	DIM. A INCHES
1/2	0.494	18
3/4	0.567	18



PFP-FLEX18FIP
Lead-Free* Water Heater Connector
w/Ball Valve - Push x FIP ⚠

NOM. SIZE	APPROX. NET WT./LBS.	DIM. A INCHES
1/2 x 3/4	0.879	18
3/4 x 3/4	1.058	18

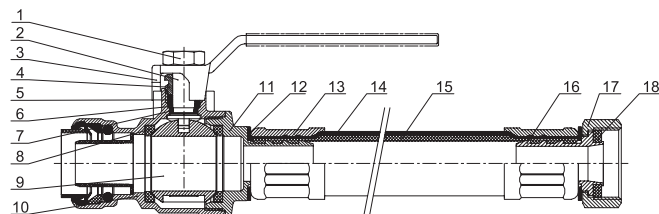


P-FLEX24FIP
Lead-Free* Water Softener Connector - Push x FIP ⚠

NOM. SIZE	APPROX. NET WT./LBS.	DIM. A INCHES
3/4 x 1	0.79	24

P-FLEX HOSE CONNECTORS MATERIAL LIST

PART	SPECIFICATION
1. Handle Nut	304 Stainless Steel
2. Stem	C48600
3. Handle	Zinc Plated Steel
4. Gland Nut	Brass ASTM B16 C36000
5. Packing	PTFE
6. Washer	Brass ASTM B16 C36000
7. O-ring	EPDM
8. Seat	PTFE
9. Ball	Lead-Free Brass
10. Body	Lead-Free Brass
11. End Plug	Lead-Free Brass
12. Washer	PA
13. Sleeve	304 Stainless Steel
14. Steel Wire	304 Stainless Steel
15. Tube	EPDM
16. Fitting	C48600
17. Nut	C37700
18. Seal Face	EPDM



⚠ WARNING: This product can expose you to chemicals including lead, which is known to the State of California to cause cancer and birth defects or other reproductive harm. For more information go to www.P65Warnings.ca.gov.

* Weighted average lead content ≤ 0.25%

Visit our website for the most current information.

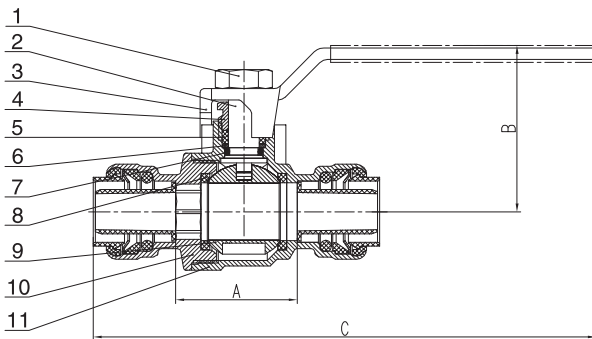
VALVES



PFP200A-LF

Lead-Free* Ball Valve - Push x Push ⚠

NOM. SIZE	APPROX. NET WT./LBS.	DIM. A INCHES	DIM. B INCHES	DIM. C INCHES
3/8	0.36	1¼	1½	5 ¹ / ₃₂
1/2	0.36	1¼	1 ²³ / ₃₂	5 ¹ / ₃₂
3/4	0.59	1½	1 ²⁷ / ₃₂	5 ⁷ / ₁₆
1	1.32	1 ¹³ / ₁₆	1 ⁷ / ₁₆	6 ¹ / ₂



MATERIAL LIST

PART	SPECIFICATION
1. Handle Nut	304 Stainless Steel
2. Stem	C48600
3. Handle	Zinc Plated Steel
4. Gland Nut	Brass ASTM B16 C36000
5. Packing	PTFE
6. Washer	Brass ASTM B16 C36000
7. O-ring	EPDM
8. Seat	PTFE
9. Ball	Lead-Free Brass
10. Body	Lead-Free Brass
11. End Plug	Lead-Free Brass

⚠ WARNING: This product can expose you to chemicals including lead, which is known to the State of California to cause cancer and birth defects or other reproductive harm. For more information go to www.P65Warnings.ca.gov.

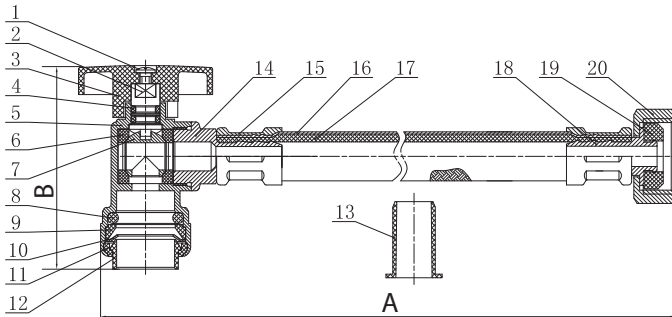
VALVES CONT'D



Toilet Supply Line (12")



Faucet Supply Line (20")



P7185FX-LF

Lead-Free* Angle Stop - Push x FIP ⚠

NOM. SIZE	APPROX. NET WT./LBS.	DIM. A INCHES	DIM. B INCHES	Suggested Application
1/2	0.425	20"	2.21	FAUCET SUPPLY LINE
1/2 x 7/8	0.425	12"	2.21	TOILET SUPPLY LINE

MATERIAL LIST

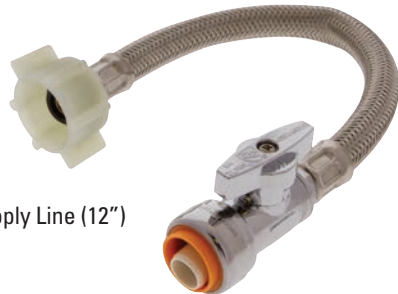
PART	SPECIFICATION
1. Screw	Steel
2. Stem	DZR Brass
3. Handle	ABS
4. O-Ring (2)	EPDM
5. Body	Lead Free DZR Brass
6. Seat (2)	PTFE
7. Ball	Lead Free DZR Brass
8. O-Ring	EPDM
9. Protector	PA
10. Grab Ring	SS316
11. Nut	POM
12. Release Collar	POM
13. Liner/Stiffener (for PEX)	PPSU
14. Body End	Lead Free DZR Brass
15. Sleeve (2)	SS304
16. Steel Wire	SS304
17. Tube	PVC
18. Fitting	DZR Brass
19. Washer	EPDM
20. Nut (1/2")	Brass
20. Nut (7/8")	Nylon

⚠ WARNING: This product can expose you to chemicals including lead, which is known to the State of California to cause cancer and birth defects or other reproductive harm. For more information go to www.P65Warnings.ca.gov.

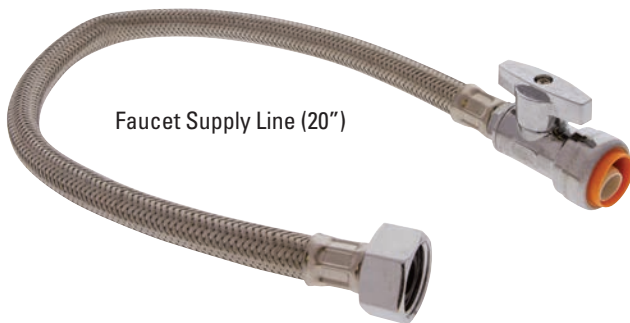
* Weighted average lead content ≤ 0.25%

Visit our website for the most current information.

VALVES CONT'D



Toilet Supply Line (12")



Faucet Supply Line (20")

P7180FX-LF

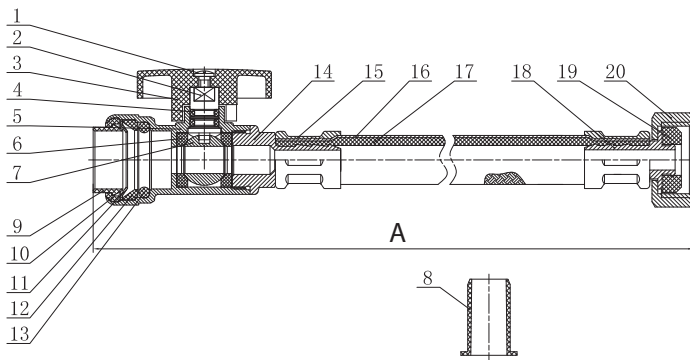
Lead-Free* Straight Stop - Push x FIP ⚠

NOM. SIZE	APPROX. NET WT./LBS.	DIM. A INCHES	Suggested Application
1/2	0.414	20"	FAUCET SUPPLY LINE
1/2 x 7/8	0.315	12"	TOILET SUPPLY LINE

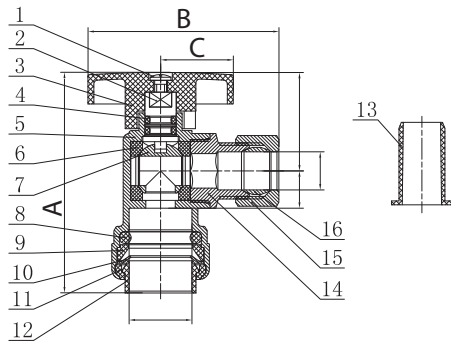
MATERIAL LIST

PART	SPECIFICATION
1. Screw	Steel
2. Stem	DZR Brass
3. Handle	ABS
4. O-Ring (2)	EPDM
5. Body	Lead Free DZR Brass
6. Seat (2)	PTFE
7. Ball	Lead Free DZR Brass
8. Liner/Stiffener (for PEX)	PPSU
9. Release Collar	POM
10. Nut	POM
11. Grab Ring	SS316
12. Protector	PA
13. O-Ring	EPDM
14. Body End	Lead Free DZR Brass
15. Sleeve (2)	SS304
16. Steel Wire	SS304
17. Tube	PVC
18. Fitting	DZR Brass
19. Washer	EPDM
20. Nut (1/2")	Brass
20. Nut (7/8")	Nylon

⚠ WARNING: This product can expose you to chemicals including lead, which is known to the State of California to cause cancer and birth defects or other reproductive harm. For more information go to www.P65Warnings.ca.gov.



VALVES CONT'D



P7185-LF

Lead-Free* Angle Supply Stop - Push x Comp ⚠

NOM. SIZE	APPROX. NET WT./LBS.	DIM. A INCHES	DIM. B INCHES	DIM. C INCHES
1/2 x 3/8	0.249	2.21"	1.91	0.73

MATERIAL LIST

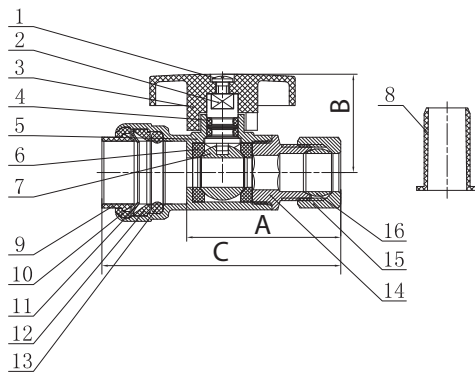
PART	SPECIFICATION
1. Screw	Steel
2. Stem	DZR Brass
3. Handle	ABS
4. O-Ring (2)	EPDM
5. Body	Lead Free DZR Brass
6. Seat (2)	PTFE
7. Ball	Lead Free DZR Brass
8. O-Ring	EPDM
9. Protector	PA
10. Grab Ring	SS316
11. Nut	POM
12. Release Collar	POM
13. Liner/Stiffener (for PEX)	PPSU
14. Body End	Lead Free DZR Brass
15. Cap	Brass
16. Compression Ring (Ferrule/Olive)	Copper

⚠ WARNING: This product can expose you to chemicals including lead, which is known to the State of California to cause cancer and birth defects or other reproductive harm. For more information go to www.P65Warnings.ca.gov.

* Weighted average lead content ≤ 0.25%

Visit our website for the most current information.

VALVES CONT'D



P7180-LF

Lead-Free* Straight Supply Stop - Push x Comp

NOM. SIZE	APPROX. NET WT./LBS.	DIM. A INCHES	DIM. B INCHES	DIM. C INCHES
1/2 x 3/8	0.198	1.54	0.99	2.4

MATERIAL LIST

PART	SPECIFICATION
1. Screw	Steel
2. Stem	DZR Brass
3. Handle	ABS
4. O-Ring (2)	EPDM
5. Body	Lead Free DZR Brass
6. Seat (2)	PTFE
7. Ball	Lead Free DZR Brass
8. Liner/Stiffener (for PEX)	PPSU
9. Release Collar	POM
10. Nut	POM
11. Grab Ring	SS316
12. Protector	PA
13. O-Ring	EPDM
14. Body End	Lead Free DZR Brass
15. Cap	Brass
16. Compression Ring (Ferrule/Olive)	Copper

WARNING: This product can expose you to chemicals including lead, which is known to the State of California to cause cancer and birth defects or other reproductive harm. For more information go to www.P65Warnings.ca.gov.

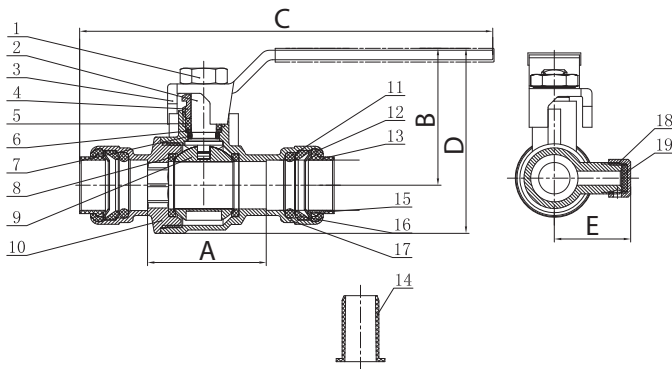
VALVES CONT'D



P-FP-200-D-LF

Lead-Free* Ball Valve with Drain - Push x Push ⚠

NOM. SIZE	APPROX. NET. WT./LBS	DIM. A INCHES	DIM. B INCHES	DIM. C INCHES	DIM. D INCHES	DIM. E INCHES
1/2	0.505	1.49	1.72	5.18	2.32	0.96
3/4	0.712	1.66	1.85	5.42	2.60	0.96
1	1.276	2.08	2.42	6.46	3.34	1.25



MATERIAL LIST

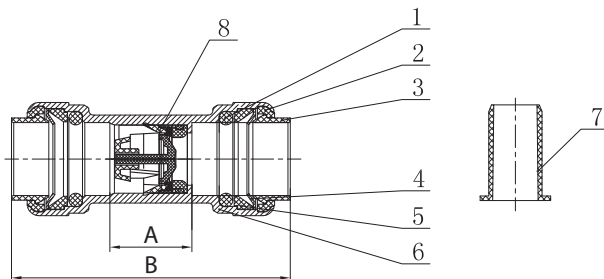
PART	SPECIFICATION
1. Lock Nut	SS304
2. Stem	Brass
3. Handle	Zinc Plated Steel
4. Gland Nut	Brass
5. Packing	PTFE
6. Washer	Brass
7. O-Ring	EPDM
8. Seat (2)	PTFE
9. Ball	Lead Free DZR Brass
10. Body End	Lead Free DZR Brass
11. O-Ring (2)	EPDM
12. Nut (2)	POM
13. Release Collar (2)	POM
14. Liner/Stiffener (for PEX) (2)	PPSU
15. Grab Ring (2)	SS316
16. Protector (2)	PA
17. Body	Lead Free DZR Brass
18. Cap	Brass
19. Washer	EPDM

⚠ WARNING: This product can expose you to chemicals including lead, which is known to the State of California to cause cancer and birth defects or other reproductive harm. For more information go to www.P65Warnings.ca.gov.

* Weighted average lead content ≤ 0.25%

Visit our website for the most current information.

VALVES CONT'D



P480W-LF

Lead-Free* Check Valve Inline - Push x Push ▲

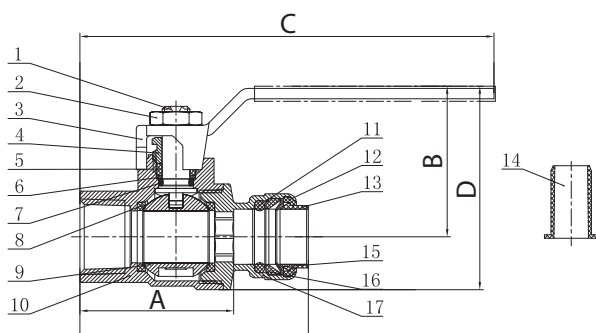
NOM. SIZE	APPROX. NET WT./LBS.	DIM. A INCHES	DIM. B INCHES
1/2	0.149	0.71	2.41
3/4	0.280	0.94	3.00
1	0.509	1.61	3.43

MATERIAL LIST

PART	SPECIFICATION
1. O-Ring (2)	EPDM
2. Nut (2)	POM
3. Release Collar (2)	POM
4. Grab Ring (2)	SS316
5. Protector (2)	PA
6. Ball	Lead Free DZR Brass
7. Liner/Stiffener (for PEX) (2)	PPSU
8. Check Valve	Spring Loaded Insert

TP-FP-200-LF

Lead-Free* Ball Valve - Push x FPT ▲



NOM. SIZE	APPROX. NET. WT./LBS	DIM. A INCHES	DIM. B INCHES	DIM. C INCHES	DIM. D INCHES
1/2	0.496	1.75	1.42	4.72	2.32
3/4	0.725	2.00	1.85	4.85	2.60
1	1.186	2.54	2.45	5.88	3.34

MATERIAL LIST

PART	SPECIFICATION
1. Stem	Brass
2. Lock Nut	SS304
3. Handle	Zinc Plated Steel
4. Gland Nut	Brass
5. Packing	PTFE
6. Washer	Brass
7. O-Ring	EPDM
8. Seat (2)	PTFE
9. Ball	Lead Free DZR Brass
10. Body	Lead Free DZR Brass
11. O-Ring	EPDM
12. Nut	POM
13. Release Collar	POM
14. Liner/Stiffener (for PEX)	PPSU
15. Grab Ring	SS316
16. Protector	PA
17. Body End	Lead Free DZR Brass

▲ WARNING: This product can expose you to chemicals including lead, which is known to the State of California to cause cancer and birth defects or other reproductive harm. For more information go to www.P65Warnings.ca.gov.

Visit our website for the most current information.

* Weighted average lead content ≤ 0.25%

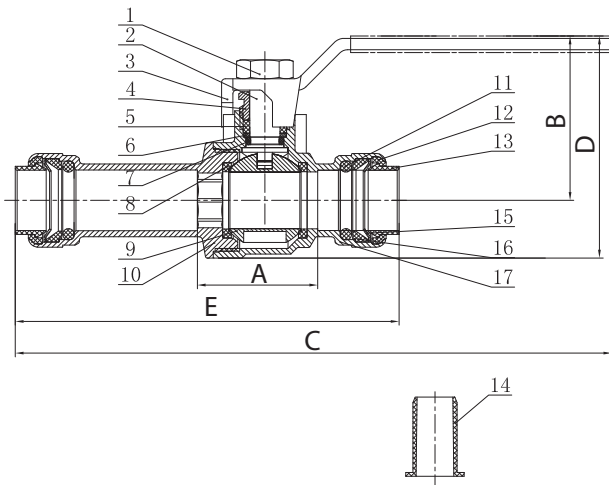
VALVES CONT'D



P-FP-200-S-LF

Lead-Free* Slip Ball Valve - Push x Push

NOM. SIZE	APPROX. NET. WT./LBS	DIM. A INCHES	DIM. B INCHES	DIM. C INCHES	DIM. D INCHES	DIM. E INCHES
1/2		1.25	1.73	6.23	2.32	4.0
3/4		1.49	1.85	6.67	2.60	4.78
1		1.81	2.42	7.80	3.34	5.42



MATERIAL LIST

PART	SPECIFICATION
1. Lock Nut	SS304
2. Stem	Brass
3. Handle	Zinc Plated Steel
4. Gland Nut	Brass
5. Packing	PTFE
6. Washer	Brass
7. O-Ring	EPDM
8. Seat (2)	PTFE
9. Ball	Lead Free DZR Brass
10. Body End	Lead Free DZR Brass
11. O-Ring (2)	EPDM
12. Nut (2)	POM
13. Release Collar (2)	POM
14. Liner/Stiffener (for PEX)	PPSU
15. Grab Ring (2)	SS316
16. Protector (2)	PA
17. Body	Lead Free DZR Brass

WARNING: This product can expose you to chemicals including lead, which is known to the State of California to cause cancer and birth defects or other reproductive harm. For more information go to www.P65Warnings.ca.gov.

* Weighted average lead content ≤ 0.25%

Visit our website for the most current information.

VALVES CONT'D



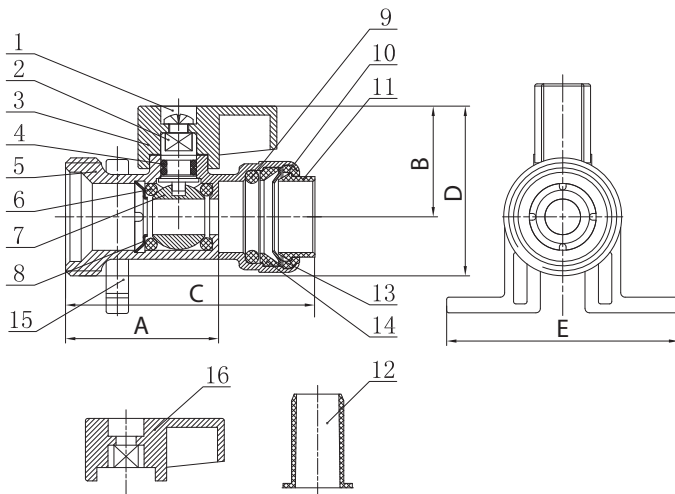
PWMV-LF

Lead-Free* Washing Machine Ball Valve - Push x MHT ⚠

NOM. SIZE	APPROX. NET WT./LBS	DIM. A INCHES	DIM. B INCHES	DIM. C INCHES	DIM. D INCHES	DIM. E INCHES
1/2 x 3/4	0.192	1.35	0.98	2.2	1.38	2.05

MATERIAL LIST

PART	SPECIFICATION
1. Screw	Steel
2. Stem	DZR Brass
3. Handle (Blue)	Zinc Alloy
4. O-Ring (2)	EPDM
5. Body	Lead Free DZR Brass
6. O-Ring (2)	EPDM
7. Ball	Lead Free DZR Brass
8. Clip	SS304
9. O-Ring	EPDM
10. Nut	POM
11. Release Collar	POM
12. Liner/Stiffener (for PEX)	PPSU
13. Grab Ring	SS316
14. Protector	PA
15. Mounting piece	PA
16. Handle (Red)	Zinc Alloy



ACCESSORIES

Removal Tool ⚠



NOM. SIZE	APPROX. NET WT./LBS.
1/4	0.013
3/8	0.013
1/2	0.013
3/4	0.013
1	0.013

⚠ WARNING: This product can expose you to chemicals including lead, which is known to the State of California to cause cancer and birth defects or other reproductive harm. For more information go to www.P65Warnings.ca.gov.

Visit our website for the most current information.

* Weighted average lead content ≤ 0.25%

NIBCO® Push Fittings, Valves, and Flexible Connectors Limited Warranty

NIBCO INC. LIMITED WARRANTY

Applicable to NIBCO Push Fittings, Valves, and Flexible Connectors

NIBCO INC. warrants each NIBCO Push fitting, valve, and flexible connector to be free from defects in materials and workmanship under normal use, service, and maintenance in accordance with the product specifications (including, but not limited to installation recommendations) for a period of twenty-five (25) years from the Warranty Commencement Date. The Warranty Commencement Date shall be the date of installation.

NIBCO Push valves and flexible connectors to be free from defects in materials and workmanship under normal use, service, and maintenance in accordance with the product specifications (including, but not limited to installation recommendations) for a period of two (2) years from the Warranty Commencement Date. The Warranty Commencement Date shall be the date of installation.

NIBCO Push fittings, valves, and flexible connectors are referred to herein as "NIBCO Products."

NIBCO will repair or replace – at its option and at no charge – NIBCO Products that have been determined by NIBCO, or an authorized representative or agent thereof, to have failed solely because of a defect in materials or workmanship under normal use, service, and maintenance during the warranty period. Replacements shall be shipped free of charge to the owner.

This limited warranty applies to all NIBCO Products installed, tested, applied, and used in accordance with NIBCO's approved and published recommendations and instructions.

This warranty does not cover any failure or damage for or caused by:

1. any product, parts, or systems which are not manufactured or sold by NIBCO;
2. any NIBCO Product which is used for purposes other than a purpose authorized by NIBCO;
3. any NIBCO Product not installed, tested, applied, used, or maintained in accordance with NIBCO's recommended installation guidelines and instructions;
4. any NIBCO Product not installed or used in accordance with applicable codes;
5. any damage caused by, contributed in whole or in part by, or resulting from, any of the following:
 - a. abuse, misuse, mishandling, alteration, tampering, neglect, or accidental damage such as, without limitation, vandalism;
 - b. natural disasters, such as, without limitation, flooding, windstorm, and lightning;
 - c. attachments or modifications not authorized by NIBCO;
 - d. external, physical or chemical qualities, or an unsuitable or hostile environment,;
 - e. any defects other than those in material or workmanship; or
 - f. any other cause beyond the control of NIBCO.

NIBCO DISCLAIMS ANY AND ALL LIABILITY FOR ANY OTHER DIRECT OR INDIRECT, INCIDENTAL, OR CONSEQUENTIAL DAMAGES OF ANY KIND, INCLUDING BUT NOT LIMITED TO, ECONOMIC LOSS, LOSS OF BUSINESS, LOST PROFITS, PUNITIVE DAMAGES, MOLD INTRUSION, WATER DAMAGE, ETC.

Some states do not allow the exclusion or limitation of damages, so the above limitation or exclusion may not apply to you.

THIS WARRANTY IS THE ONLY WARRANTY FOR THE NIBCO PRODUCTS PROVIDED BY NIBCO, AND IS AND SHALL BE IN LIEU OF ANY AND ALL OTHER WARRANTIES, EXPRESSED OR IMPLIED, INCLUDING, BUT NOT LIMITED TO, AN IMPLIED WARRANTY OF MERCHANTABILITY OR FITNESS FOR A PARTICULAR PURPOSE, AND FOR ALL OTHER OBLIGATIONS OR LIABILITIES ON THE PART OF A MANUFACTURER. NO EMPLOYEE OF NIBCO, OR ANY OTHER DISTRIBUTOR, AGENT, OR OTHER PERSON OR BUSINESS, IS AUTHORIZED TO MAKE ANY OTHER WARRANTY ON BEHALF OF NIBCO.

Some states do not allow limitations on implied warranties, so the above limitation may not apply to you.

In the event any defect occurs which is believed to be covered by this warranty, NIBCO Technical Services must immediately be contacted by calling 888.446.4226 or emailing CS-TechnicalServices@nibco.com. NIBCO Technical Services after being contacted will make further arrangements for the product's return to NIBCO at the customer's expense for review and evaluation.

This warranty gives you specific legal rights, and you may also have other rights which vary from state to state.



* Weighted average lead content ≤ 0.25%

VALVES

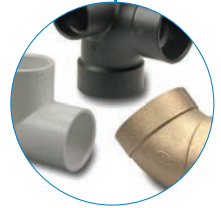


Pressure-rated bronze, iron and alloy-iron gate, globe and check valves • Pressure-rated bronze ball valves • Boiler specialty valves • Commercial and industrial butterfly valves • Lined butterfly valves • Circuit balancing valves and kits • Carbon and stainless steel ball valves • ANSI flanged steel ball valves • Lined ball valves • Pneumatic and electric actuators and controls • Grooved ball and butterfly valves • High performance butterfly valves • UL/FM fire protection valves • MSS specification valves • Bronze specialty valves • Low pressure gate, globe, check and ball valves • Frostproof sillcocks • Quarter-turn supply stops • Quarter-turn low pressure valves • PVC and CPVC plumbing and industrial ball valves • Bronze and iron y-strainers • Sample valves • Sanitary valves • Lead-free valves • Hydronic valves • Labor saving valves • Manifold systems • Water temperature control valves • System quality valves • Press x PEX transition valves

FITTINGS

Wrot and cast copper pressure and drainage fittings • Cast copper alloy flanges • Powder coated steel companion flanges • Wrot and cast press fittings • ABS and PVC DWV fittings • Schedule 40 PVC pressure fittings • CPVC CTS fittings • CPVC CTS-to-metal transition fittings • Schedule 80 PVC and CPVC systems • Lead-free fittings • Press x PEX transition fittings • Cast bronze push fittings

LEAD-FREE: Weighted average lead content ≤0.25%



INDUSTRIAL PLASTICS

PVC and Corzan® CPVC schedule 80 fittings, true union ball and ball check valves, butterfly valves, and specialty valves • Polypropylene and Kynar® PVDF schedule 80 pipe, fittings, and true union ball and ball check valves • Pneumatic and electric actuation systems

Corzan® are registered trademarks of the Lubrizol Corporation
Kynar® is a registered trademark of Arkema Inc.



eNIBCO

EDI—Electronic Data Interchange • VMI—Vendor Managed Inventory • NIBCO.com • NIBCOpartner.com



NIBCO[®]
AHEAD OF THE FLOW[®]

NIBCO INC.
WORLD HEADQUARTERS
WEB: www.nibco.com

1516 MIDDLEBURY STREET
ELKHART, IN 46516-4740
USA

DOMESTIC CUSTOMER SERVICE
PHONE: 800.234.0227
FAX: 800.234.0557

TECHNICAL SERVICE
PHONE: 888.446.4226
FAX: 888.336.4226

INTERNATIONAL OFFICE
PHONE: +1/574.295.3327
FAX: +1/574.295.3455