

VFR-500 Conventional Releasing Panel

Installation, Operations & Programming Manual



Table of Contents

Section 1: Introduction 1-1

How to Use this Manual 1-4

Common Terminology 1-4

Section 2: Before You Start Installation..... 2-5

System Specifications 2-5

Environmental Specifications 2-5

Model / Available Cabinet Colors 2-5

System Configurations / Appliances 2-5

Electrical Specifications..... 2-6

System Size Specifications 2-6

Main Board Wiring Specifications..... 2-6

Circuit Separation..... 2-6

Wiring Types..... 2-6

Cabinet Dimensions 2-8

Cabinet Mounting Instructions 2-9

Cabinet Wiring Connections 2-10

Wiring Connection Terminal Points 2-11

Battery Circuit Calculations..... 2-11

Battery Connections..... 2-13

Section 3: Installation 3-14

Initiating Device Circuit Installation 3-14

Output Circuits Installation..... 3-15

Output Wiring Characteristics..... 3-15

Output Maximum Wiring Impedance Formula..... 3-15

Output Wiring Configuration..... 3-15

Auxiliary Power 3-16

Relay Output Wiring 3-16

Relay Characteristics 3-16

Class A Expander Installation (CA-4064)..... 3-17

CA-4064 Class A Expander 3-17

VFR-500 Cabinet..... 3-17

VFR-500 Main PCA 3-19

CA-4064 Class A Expander 3-19

Configuration Characteristics 3-20

Maximum Wire Resistance Formula..... 3-20

Addressing P-Link Modules 3-22

P-Link Addresses..... 3-22

Module Installation 3-23

Initiating Device Circuit Module - IDC-6..... 3-23

IDC-6 Mounting Location 3-23

IDC-6 Mounting Location 3-23

VFR-500 Cabinet..... 3-23

Setting Address..... 3-24

IDC-6 Wiring Configuration..... 3-24

Remote Annunciators Installation 3-27

Dip Switch 3-27

P-Link Connections 3-27

LED Annunciator Installation (LED-4410G3) 3-28

Relay Board Installation (RLY-5) 3-30

Section 4: Operation 4-31

Control Panel Basic Operation..... 4-31

Section 5: Programming..... 5-35

Section 6: Programming Options 6-97

Section 7: Communication Options..... 7-101

Section 8: Appendices A-102

Appendix A: System Maintenance and Testing..... A-102

Appendix B: Compatibility Table..... B-103

Appendix C: Compatible Conventional Smoke Detectors & Bases Table..... C-104

Appendix D: Installation Notes..... D-107

Appendix E: Operating Instructions for VFR-500 Releasing PanelE-108

Section 1: Introduction

Safety Guidelines



This manual contains safety information that is important to know and understand. This information is provided for the safety of installers, operators, and users of the Viking releasing panel as well as equipment. To help recognize this information, observe the following symbols.

DANGER

Danger indicates an imminently hazardous situation which, if not avoided, WILL result in death or serious injury.

WARNING

Warning indicates a potentially hazardous situation which, if not avoided, COULD result in death or serious injury.

CAUTION

Caution indicates a potentially hazardous situation which, if not avoided, MAY result in minor or moderate injury

NOTICE

Notice indicates important information, that if not followed may cause damage to equipment or property.

WARNING

The detection and suppression system employing this release panel must be designed by people trained and competent in the design and layout of fire alarm and/or suppression systems for special hazard locations. The system shall be designed and installed in accordance with all local and national codes and ordinances as well as the approval of the Authority Having Jurisdiction. Only trained, qualified and competent individuals should install, program and/or service the VFR-500. Competent people would be aware of these warnings, limitations, and requirements.

An unqualified person is someone who has not received the specific training to perform the tasks set in this manual, is unable to recognize that a hazard exists and how to avoid that hazard, or who has not shown the demonstrated ability needed to install this device. An employee qualified to perform a specific task may be unqualified to perform other tasks. The characteristics of being qualified and unqualified are task-dependent.

NOTICE

The default programming does not allow the abort circuit to abort the release or stop the pre-discharge timer activated by zones programmed as MANUAL RELEASE. This can be changed in the programming to allow MANUAL RELEASE zones to be aborted.

WARNING

High voltage electrocution hazard. Do not handle live AC wiring or work on the device while AC power is active.

This manual is designed to help with the specification, installation, and programming of the VFR-500 Release Panel. It is imperative that this manual be completely read and understood before the installation or programming of the panel. Save this manual for future reference.

Zones programmed as MANUAL RELEASE will override any cross zoning features. If it is desired to not have a manual station override the cross zoning, program the zone as DETECTION and map accordingly. That detection zone shall have a maximum 30 second pre-discharge time delay

Per ULC requirements; if this equipment is running on battery power only, it will shut off and cease to operate when the battery voltage reaches approximately 19-20 volts.

CAUTION

Locate the panel and all system components in the following nominal environment:

- * Temperature 32-120°F, Humidity 93% non-condensing.
- * Verify that the wire sizes are adequate for all initiating, notification, and release circuits.
- * Make certain the panel is properly grounded.
- * Remove all electronic assemblies prior to any drilling, filing, reaming, or punching of the enclosure. When possible make all cable entries from the sides, bottom, or rear of the cabinet. Verify that they will not interfere with the batteries or other components.
- * The panel and system must be tested and maintained in accordance with all local and national codes and ordinances.

NOTICE

Operating Instructions Form

Fill in the name, address and telephone number of the servicing agency on the instruction sheet provided and frame and place adjacent to control panel at eye level.

The following documentation shall be delivered to the owner or their representative upon final acceptance of the system:

- An owners manual and installation instructions covering all system equipment.
- Wiring diagrams
- A detailed description of the programming and operating sequence of the system Cadence and Temporal Patterns
- Programmable to activate on a Supervisory condition

WARNING

Fire Alarm System Limitations

Smoke detectors may not detect smoke when the smoke does not reach the detector. Such as smoke within walls, on the other side of walls, on other floors, behind closed doors, explosions, etc. Smoke detectors will not operate if they are not properly connected to the fire/release panel. The detectors and bases must be UL listed as being compatible with the panel. The detectors have a visible flashing light that indicates power is supplied to the detectors.

Notification appliances may not alert people if the people are not able to hear or see the appliances such as if they are in separate areas of the building or room.

A fire alarm/release panel will not operate without electrical power. The panel must have sufficient backup battery capability to power the panel for a specified amount of time in the event of an AC power failure. The batteries and release panel shall be tested and maintained in accordance with the testing and maintenance requirements of NFPA 72.

In order for emergency forces, (Fire departments, etc.), to respond to events associated with this panel, the panel must transmit trouble, supervisory, and alarm signals to a monitoring facility either directly or through a main building fire panel.

A problem in an audible or visual device may not be apparent when the panel is in a normal condition.

F.C.C.

This device has been verified to comply with FCC part 15, Class A. Operation is subject to the following conditions:

1. This device may not cause radio interference
2. This device must accept any interference received including any that may cause undesired operation

CAN ICES-001 (A) / NMB-001 (A)

Design Guidelines

People trained in the design of special hazard systems shall determine the selection and placement of the initiating devices and notification appliances connected to the VFR-500. This responsible party shall also be familiar with the premises being protected.

The equipment shall be installed in accordance with the manufacturers instructions, the applicable version of NFPA 72 and all local codes and ordinances. For systems employing cross zoning of two smoke detectors for the activation of the release circuit, this can include but is not limited to the installation of photoelectric and ionization types of detectors on separate zones. One of each type of detector on separate zones shall be installed in the coverage area selected for a single detector (not to exceed 0.7 times the linear spacing). The detectors would be installed in close proximity to each other.

The responsible party shall also determine the theory of operation regarding the programming sequence.

General Description

The Model VFR-500 is a listed and approved, microprocessor based fire control/releasing panel. It is primarily designed for use as a releasing panel for pre-action and deluge, water based extinguishing systems or for agent extinguishing systems. The VFR-500 may also be used as a stand alone fire control panel. This unit shall be installed in accordance with NFPA-12, NFPA-12A, NFPA-13, NFPA-15, NFPA -16, NFPA-17, NFPA-17A, NFPA-72, NFPA-750, NFPA-2001, NFPA 2010 and Canadian Electrical Code Part 1 C22.1, ULC-S524.

The VFR-500 complies with UL Standard 864, ULC S527, FM, CSFM, FDNY, and is RoHS Compliant.

System Features

The VFR-500 has seven (7) conventional programmable initiating zones and is expandable to thirty-one (31) using four (4) IDC-6 cards, each providing six (6) additional programmable input circuits.

- 3.0 Amp (24VDC) power supply
- Four (4) output circuits rated at 3.0A maximum each, 3 Amps total
 - Power Limited
 - Built in Sync
 - Cadence and Temporal Patterns
 - Programmable to activate on a Supervisory or Trouble condition
- Two (2) auxiliary 24VDC Special Application output, rated 19.7-27.2 volts 1A each Power limited, current limited, non-supervised. One programmable, (Resettable for 4-wire smoke detectors), one continuous

NOTE: Continuous AUX output also serves as P-Link power.
- Support for all major synchronization patterns.

- Gentex®
- AMSECO®
- Wheelock®
- System Sensor®
- Built in standard program templates in panel memory plus custom programming available
- Releasing Zones can be set up for either normal or cross zoning operation
- Auto Silence and Silence Inhibit.
- Built-in Ethernet port for programming and non-listed communication.
- Built-in Email support to communicate system status and event information.
- Customizable Reminder Emails.
- P-Link RS-485 bus supports system accessories.
- 4,000 event non-volatile history buffer
- 99 Software Zones
- 4 X 20 character LCD display
- Four (4) Form C System Relays (Alarm, Supervisory, Trouble, Waterflow/Releasing) rated 3A at 30 VDC resistive
- Dead-front Cabinet Design

P-Link Accessories

- IDC-6 – Up to four (4) per system that provides six (6) additional conventional Class B inputs or three (3) Class A inputs.
- CA-4064 Class A converter module – Limit of one (1) per system allows for Class A wiring of the P-Link communication bus and the four (4) built-in Output circuits.
- RA-4410G3 Remote Annunciator – Up to 31 per system
- LED-4410G3 Annunciator module – Up to 10 total per system. Each allows for up to 16 zones alarm, supervisory and trouble conditions to display, and five (5) non-programmable system LEDs that display system's overall condition.
- RLY-5 Relay Board module – Up to 31 total per system provides five (5) programmable Form-C relay outputs.
- PSN-1000 Power Supply Expander - The panel can be programmed to support up to one (1) PSN-1000 Power Expanders (installed in a single zone).

Optional Accessories

- CA2Z – Converts Zone 5-6 from Class B initiating device circuits to two Class A circuits. Not to be used for 4-wire smoke detectors unless approved by local AHJ.
- RCDS-PM1 – Provides physical means of disconnecting 1 release circuit in compliance with NFPA 72
- RCDS-PM2 – Provides physical means of disconnecting 2 release circuits in compliance with NFPA 72
- ARM-1 – Activated by 24VDC Indicating and/or Releasing, polarity reversing circuits. The module provides a non-supervised DPDT Relay that can be used for fan shutdown, door release, elevator recall, etc.
- eMatch Protection Assembly 3005020

How to Use this Manual

Refer to this manual before contacting Technical Support. The information in this manual is the key to a successful installation and will assist you in understanding proper wire routing, system requirements, and other guidelines specific to the VFR-500 system.

Common Terminology

The following table provides you with a list of terms and definitions used with the VFR-500 system:

Table 1: Terminology	
Term	Definition
VFR-500 Cabinet	Enclosure
EOLR	End of Line Resistor Assembly
EOLD	End of Line Diode Assembly
Remote Annunciator	LCD type Remote Annunciator
Output	Output, Notification Appliance Circuit, Releasing Circuit
P-Link	Proprietary RS-485 communication bus
VFR-500 PCB	Board Assembly for complete unit
RCDS-PM	Release Circuit Disconnect Switch, Panel Mount

Section 2: Before You Start Installation

This section addresses information that will help you in completing a successful installation, such as the VFR-500 cabinet layout, specifications, and environmental considerations.

System Specifications

Cabinet Description

- Eighteen (18) gauge sheet steel with hinged, lockable, removable door and removable full dead-front that can be hung off the bottom of the cabinet when servicing
- Enclosure dimensions – 18-1/2" x 14-1/4" x 4-3/4"

Visual Indicators

- 4 x 20 alphanumeric character display showing applicable condition, status, and circuit for all alarm, supervisory, and trouble conditions
- 37 LED indicators (Red, Green, Amber)

LCD Description

- Alarm, Supervisory and Trouble conditions display applicable condition, status and circuit for each correlating condition
- Provides menu driven programming information

Environmental Specifications

- Mount indoors only.
- Temperature 32° to 120°F, humidity 93% non-condensing.
- Verify panel is properly grounded.
- Remove all electronic assemblies prior to any drilling, filing, reaming, or punching of the enclosure. When possible, make all cable entries from the sides, bottom, or rear of the cabinet. Verify that they will not interfere with the batteries or other components.
- The panel and system must be tested and maintained in accordance with all local and national codes and ordinances.
- Panel shall be installed so the display is easily readable and the door shall have adequate clearance to access the controls.

Model / Available Cabinet Colors

- 3006738 – RED VFR-500 Conventional Releasing Panel

System Configurations / Appliances

Model	Description	Local	Remote Station	Central Station	Releasing Service
VFR-500	Main Board/Panel Assembly	Y	Y	Y	Y
CA-4064	Class A Expander	O	O	O	O
RA-4410G3	Remote annunciator.	O	O	O	O
PSN-1000	Intelligent Power Supply Expander	O	O	O	O
CA2Z	Class A Expander	O	O	O	O
IDC-6	Initiating Device Circuit	O	O	O	O
LED-4410G3	LED Annunciator	O	O	O	O
RLY-5	Relay Expander	O	Y	Y	O
3005013	End of line resistor assembly	Y	Y	Y	Y
3005012	End of line resistor and diode	N	N	N	Y
EOLP-D	End of Line Plate f/Diode Assy	O	O	O	O
EOLP-R	End of Line Plate f/Resistor	O	O	O	O

Y = Yes, required for applicable section
 N = No, not required for applicable section
 O = Optional, may or may not be used, has no affect on the applicable section.

Electrical Specifications

Please refer to the table below for electrical specifications:

Table 3: System Panel Electrical Specifications			
Panel	# Outputs	Rating per Output	Class
VFR-500	4 Outputs	3.0 Amps	Inputs – Class A* or B Outputs – Class A* or B P-Link – Class A* or B All are Low Voltage and Power Limited

*With optional equipment

System Size Specifications

Please refer to the table below for system size specifications:

Table 4: System Size Specifications	
Accessories/Subassemblies	Maximum System Size
VFR-500	<ul style="list-style-type: none"> • Seven (7) input circuits on the main board • Four (4) output circuits on the main board* • One (1) auxiliary power output* • One (1) P-Link connection* • One (1) P-Comm (ethernet)
<p>*Note: The Outputs, P-Link and AUX Out combined are not to exceed 3.0A. The P-Link 24VDC and AUX Out each are not to exceed 1.0A.</p>	

Main Board Wiring Specifications

There are several wiring requirements to consider **before** connecting circuits to the main board: (1) the circuit separation, and (2) wiring types. All wiring should be sized and installed to comply with NFPA 70, NFPA 72, and local codes and ordinances.

Circuit Separation

Proper separation between the different types of circuits must be maintained between Power Limited, Non-Power Limited, and High Voltage wiring to reduce electrical interferences, transient voltage or voltage ratings.

- Separations between the different wiring types **must** be maintained by at least ¼ inch and the wire insulation **must** be for the higher voltage.
- The control panel cabinet has sufficient knockouts located around the periphery allowing the installer to maintain separation between power limited and non-power limited connections.
- Refer to table 5 for wiring types and Figure 1 wire routing diagram

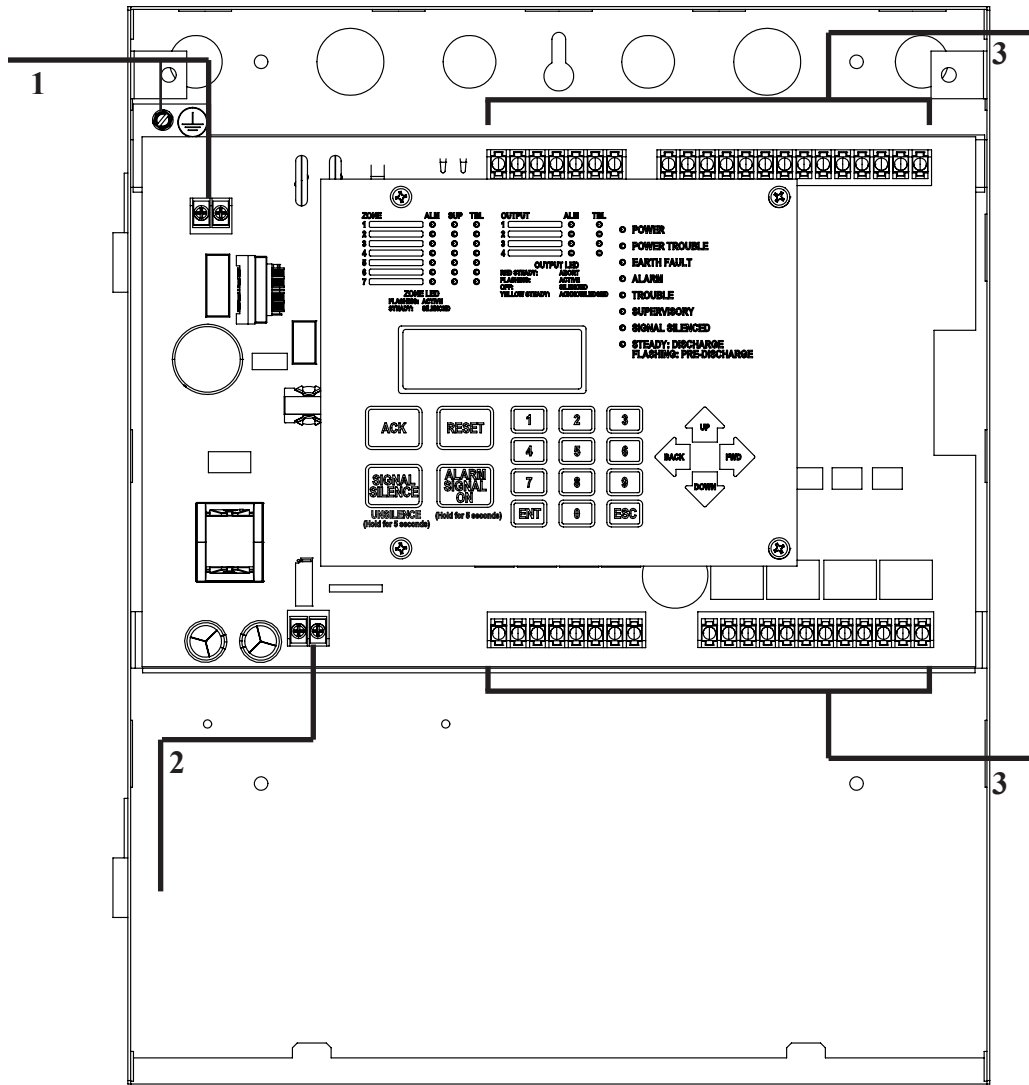
Wiring Types

Wiring specifications must be followed to prevent damage or other consequences.

Refer to table below for a breakout of the different wiring requirements shown by circuit type:

Table 5: Main Board Circuit Wiring Types		
Type of Circuit	Wiring Type	
	Voltage	Power
AC Connection	High Voltage	Non-Power Limited
Battery Connection	Low Voltage	Non-Power Limited
Input Circuits	Low Voltage	Power Limited
Notification Appliance Circuits (Output)	Low Voltage	Power Limited
P-Link/Connection	Low Voltage	Power Limited
AUX Power	Low Voltage	Power Limited

Figure 1. VFR-500 Wire Routing



1. AC Power Leads
2. Battery Leads
3. Route all wiring away from AC power wiring and from non-power limited wiring such as battery leads. Use cable clamps if necessary (not included).

Cabinet Dimensions

Figure 2. VFR-500 Cabinet Dimensions

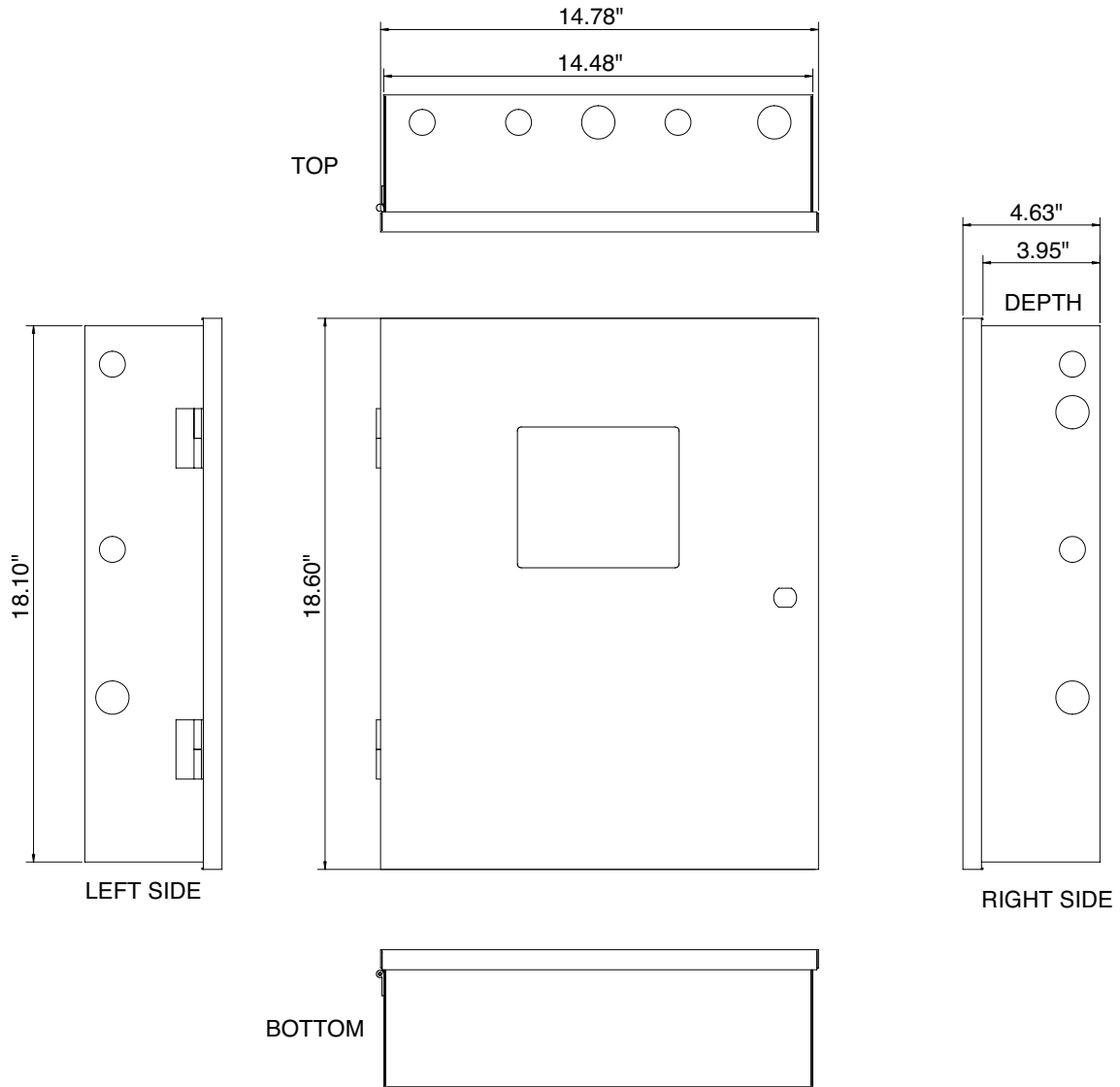
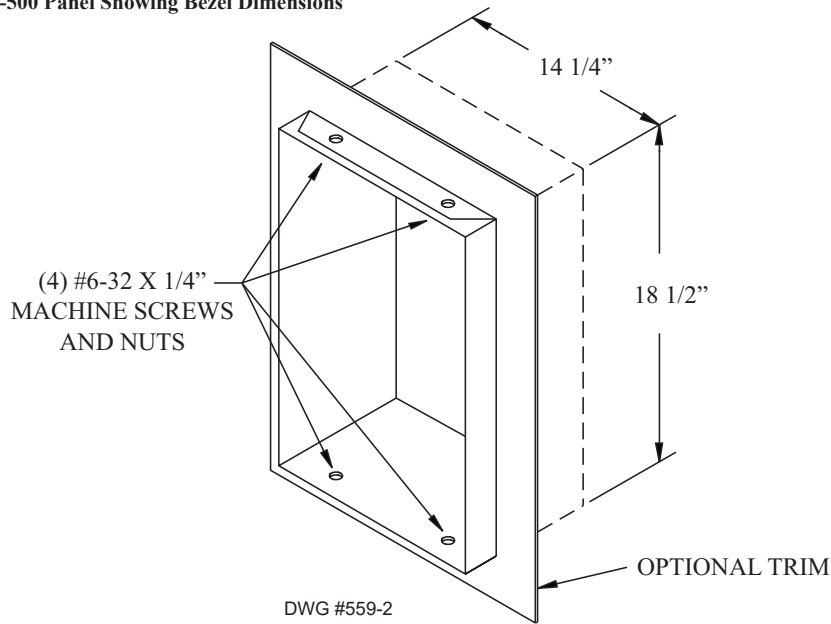


Figure 3. VFR-500 Panel Showing Bezel Dimensions



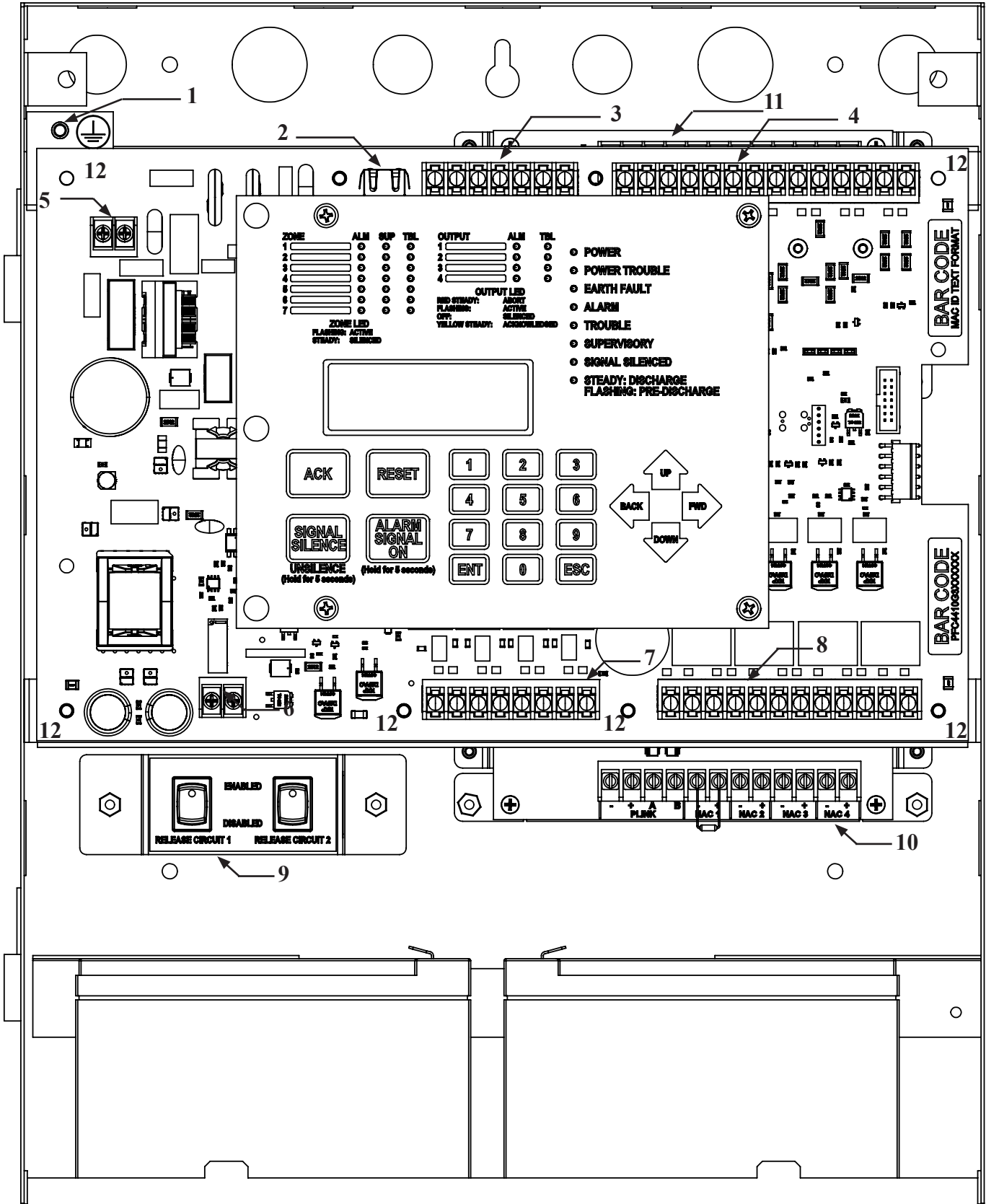
Cabinet Mounting Instructions

To mount the cabinet:

1. The unit should be mounted in a convenient location, approximately 5 feet from the floor where it will be accessible for testing and servicing.
2. The main circuit board module should be removed before attempting to mount the cabinet (Remove deadfront). Disconnect the AC power from TB1. To remove the module, remove the four corner screws and two bottom center screws (see 12 on Fig. 4) holding the main PCA assembly to the cabinet. Remove the module and set aside (refer to appendix D)
3. The VFR unit may be surface mounted or semi-flush mounted using the optional trim bezel (*refer to Fig.3*). For semi-flush installations mount the housing so that the front edge protrudes 1" from the finished wall surface. After all conduits and wiring are in place and the wall surface is completely finished, slide the trim bezel in place and fasten with 4 #6-32 x 1/4" machine screws and nuts.
4. Install all required conduits, external wiring and points and make all connections that are external to the panel. Replace the module. With the AC power still turned off at the circuit breaker panel, connect the AC line and neutral to terminal block TB1. Connect ground wire to the green ground screw on bracket. See all indicated locations on Fig. 4 *VFR-500 Cabinet Wiring* on page 2-10.
5. Connect all the other wiring to the terminals as shown in the connection drawings. Turn the AC power on and connect the standby batteries with the cable provided, polarity must be observed.
6. Replace dead front panel and secure with mounting screws.
7. Verify the operation of the complete system as outlined in the test procedure section.

Cabinet Wiring Connections

Figure 4. VFR-500 Cabinet Wiring --



Wiring Connection Terminal Points

- | | |
|---|--|
| 1 - Earth Ground | 7 - NAC output circuits, power limited |
| 2 - Ethernet Connection | 8 - Relay Contacts to power limited circuit, 30 VDC @ 1A max |
| 3 - P-Link, AUX power, power limited | 9 - RCDS-PM (optional) |
| 4 - Initiating Device Circuits, power limited | 10 - CA-4064 Zone Expander (Optional) |
| 5 - AC Supply 120-240 VAC 50/60 Hz | 11 - IDC-6 Initiating Device Circuit Expander (Optional) |
| 6 - Battery Connection | |

Mounting Hardware

- 12- VFR-500 PCB Mounting Screws

Battery Circuit Calculations

Before selecting the battery, it is important to determine the minimum size batteries for standby and alarm times desired for each application. If the wrong batteries are installed in a specific application or incorrect current draw used, the proper standby and minimum alarm time will not be present.

The battery circuit is rated for 8 to 55 AH batteries and shall be sized to operate the panel for at least 24 hours in standby and 5 minutes in alarm per NFPA 72, (30 minutes in alarm for ULC). The cabinet will house up to two (2) 12 AH batteries. Larger batteries can be installed in SSU-00500 Battery Cabinet (1000015). Please use the battery calculation worksheet to calculate the battery size and current draw required for each application. The worksheet includes a 20% efficiency factor as required by NFPA 72.

Battery Calculation Worksheet

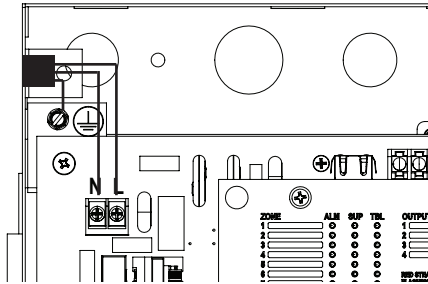
Description	Quantity	Standby (mA)	Total Standby (mA)	Alarm (mA)	Total Alarm (mA)
Main board (VFR-500)	1	100	100	215	215
RA-4410G3		20		30	
CA2Z for Zones 5 & 6		5		20	
CA-4064 Class A Expander		15		60	
PSN-1000 Power Expander		15		15	
LED-4410G3 P-Link Current		25		30	
LED-Current (if applicable, see Note 5)		10		210	
RLY-5		25		35	
Relay-Current (if applicable, see Note 5)		10		135	
IDC-6		20		20	
AUX					
P-Link					
Output 1					
Output 2					
Output 3					
Output 4					
		Total (ma)		Total (ma)	
		Convert to Amps	x 0.001	Convert to Amps	x 0.001
(*Refer to maximum allowable standby current) Total A:				Total A:	
Multiply by standby hours required. Typically 24 hours for UL/ULC and 90 hours for FM			x _____	<u>60 minutes per hour</u> Alarm time (minutes) <i>Example:</i> UL 5 minute alarm: enter 12 FM 10 minute alarm: enter 6 ULC 30 minute alarm: enter 2	÷ _____
Total Standby AH				Total Alarm AH	
				+Total Standby AH	
				Total AH	
				Efficiency Factor	÷ 0.80
				Required AH	


<p>*Maximum Allowable Standby Current</p> <table border="1"> <thead> <tr> <th rowspan="2"></th> <th colspan="2">24-Hour Standby Time</th> </tr> <tr> <th>UL</th> <th>ULC</th> </tr> </thead> <tbody> <tr> <td>8AH</td> <td>0.16A</td> <td>0.10A</td> </tr> <tr> <td>12AH</td> <td>0.29A</td> <td>0.23A</td> </tr> <tr> <td>18AH</td> <td>0.49A</td> <td>0.43A</td> </tr> <tr> <td>33AH</td> <td>0.99A</td> <td>0.93A</td> </tr> <tr> <td>55AH</td> <td>1.72A</td> <td>1.67A</td> </tr> </tbody> </table>		24-Hour Standby Time		UL	ULC	8AH	0.16A	0.10A	12AH	0.29A	0.23A	18AH	0.49A	0.43A	33AH	0.99A	0.93A	55AH	1.72A	1.67A	<p>Important Notes:</p> <ol style="list-style-type: none"> 1) FACP enclosure can house up to two (2) 12 AH batteries. Larger batteries require accessory cabinet enclosure. Part number 1000015/SSU00500 2) NFPA 72 requires 24 hours of standby power followed by 5 minutes of alarm activation (30 minutes of alarm activation for ULC). FM and others may require 90 or more hours of standby. 3) Door holder circuits configured to disconnect upon AC loss need not be included in the battery standby calculation since they will not draw power during that time. Door holders will contribute to standby current draw when AC is present. 4) Total current must not exceed power supply rating (3A on VFR-500). 5) Attached P-Link and AUX OUT devices must be accounted for in the battery calculation for the supplying source. 6) Mark the purchase date on the batteries. Test batteries at least semi annually in accordance to the test methods in NFPA 72 or battery manufacturers instructions. Replace batteries if they fail the test or within 4 years of purchase date.
			24-Hour Standby Time																		
UL	ULC																				
8AH	0.16A	0.10A																			
12AH	0.29A	0.23A																			
18AH	0.49A	0.43A																			
33AH	0.99A	0.93A																			
55AH	1.72A	1.67A																			

Main Supply Circuit

The AC terminals are located in the upper left hand portion of the main board. The main board supervises the main AC power and provides indication that the AC power is absent. The terminals are rated at 120/240 VAC 50/60 Hz and are labeled "AC POWER" on the board.

Figure 5. VFR-500 AC Terminals



The earth ground connection is marked as “” and is separate from the two terminals for Line (L) and Neutral (N) connections.

The AC input power rating is: Maximum of 3.0A at the nominal 120/240V VAC rating.

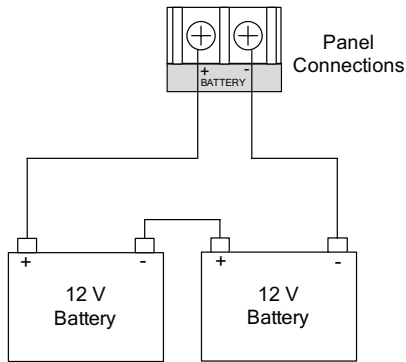
Battery Connections

The battery charging circuit is located on the main panel in the lower left portion of the board. The battery charging current is 1.0 amp typical; the charging voltage is approximately 27.3 VDC and is supervised.

Note: The battery should be clearly labeled as “*Sealed Lead Acid Battery*” or equivalent UL listed or UL Recognized.

Connect the battery wire leads to the terminal connections, as shown, observing proper polarity

Figure 6. VFR-500 Battery Connections



DWG # 593-5

Section 3: Installation

This section covers how to install Input Circuits (IDCs), Notification Appliance Circuits (Outputs) and P-Link modules. Wiring requirements and configuration examples are included throughout this section. Please read this section carefully before installing detectors and accessories to insure proper installation.

Initiating Device Circuit Installation

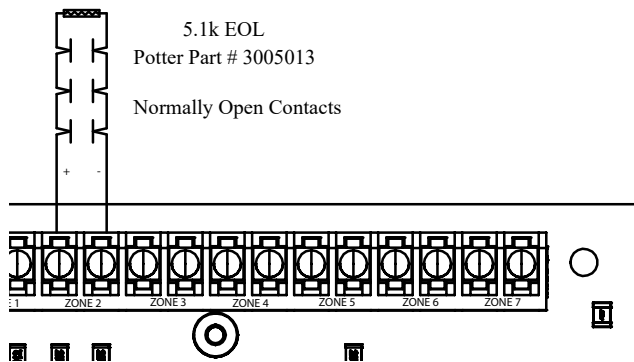
The panel is equipped with seven (7) programmable contact inputs or Initiating Device Circuits (IDC). They are power-limited and supervised. All inputs are suitable to monitor 2-wire smoke detectors. Smoke detectors shall be installed in compliance with NFPA 72. Inputs can also be used for automatic, manual, waterflow or supervisory service.

Input Wiring Specification

- Maximum short circuit current = 47 mA
- Maximum wiring resistance = 100 Ohms except Linear heat detection cable, 700 ohms per zone
- Maximum wiring capacitance = 30 uF
- Maximum wire length in feet = 10,000 feet
- Normal standby current = 2.5 mA
- Normal standby voltage = 15-29V

IDC Wiring Configuration

Figure 7. IDC Class B Wiring Example



Notes:

1. The Potter part number for the listed end of line assembly is #3005013 EOL Resistor Assembly.
2. The panel has ground fault detection on the input circuits. The impedance to ground for ground fault detection is 0 ohms.
3. The end of line resistor is a 5.1K ohm resistor.

Output Circuits Installation

There are four (4) Output circuits provided on the VFR-500, each rated 3.0 amps continuous at 24VDC. The Output circuits may be configured for Class A or Class B. Class A wiring requires a Class A expansion board (CA-4064). Outputs may be programmed to provide steady (constant) voltage, a cadence pattern, releasing service or synchronized strobes. Full synchronization is maintained system-wide. The Outputs may be programmed as silenceable or non-silenceable.

An Output can be programmed for continuous power while the panel is not in an Alarm condition, such as required for energizing a Door Holder. The Output is considered a special application type, with a maximum output current of 3A.

Output Wiring Characteristics

- Output is supervised and regulated.
- Circuit is power limited.
- Maximum Output current is 3.0 Amps

Note: Type of Output is selectable, and may be configured for strobe synchronization with Gentex®, AMSECO®, Wheelock®, or System Sensor®. Refer to the listing of compatible devices located in the “*Output Compatibility Document*”, Potter #5403592, for this information.

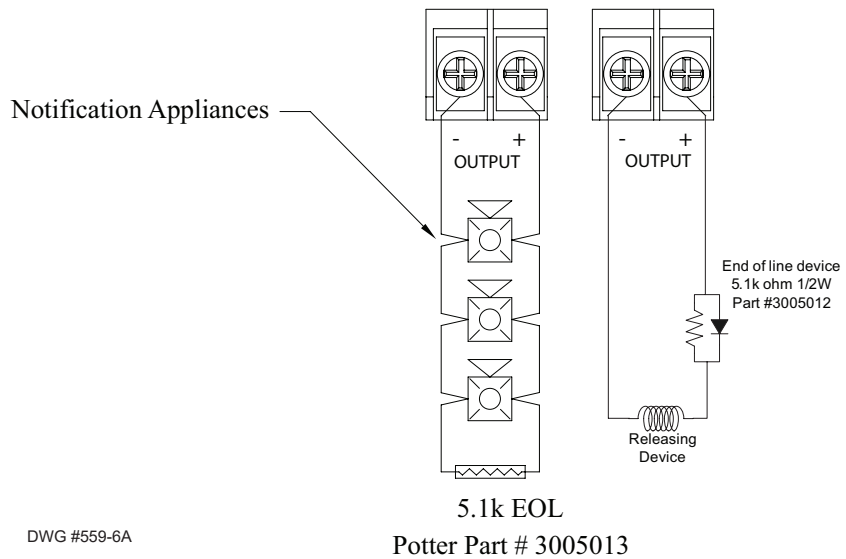
Output Maximum Wiring Impedance Formula

The maximum impedance is a *function* of the *load* placed on the circuit. To calculate the maximum line current impedance, use the following formula:

$$(\text{Alarm Current of Notification Appliance}) \times (\text{Wire Resistance}) < 3.0 \text{ Volts}$$

Output Wiring Configuration

Figure 8. Output Class B Wiring Example

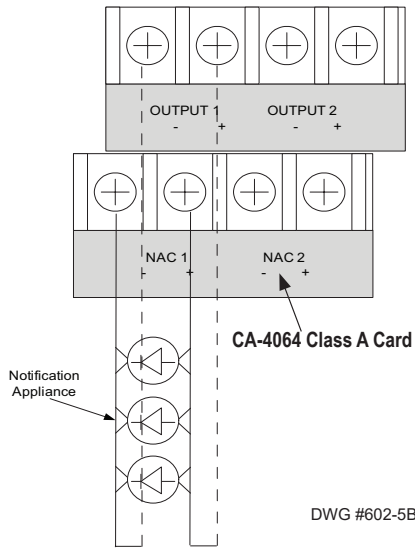


DWG #559-6A

Notes:

1. The Potter part number for the listed end of line assembly is #3005013 EOL Resistor Assembly.
Note: When a NAC is used as a releasing circuit, a Potter End of Line Diode (EOLD) assembly must be installed. The EOLD is Potter part number 3005012 and must be installed in accordance with the installation manual
2. The panel has ground fault detection on the Output circuits. The impedance to ground for ground fault detection is 0 ohms.

Figure 9. Class A Output Wiring Example (Requires the CA-4064 Expansion Board)



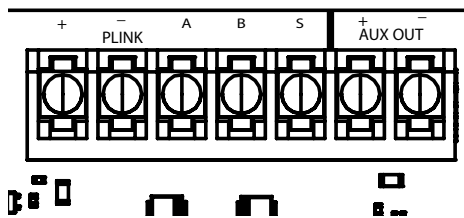
Auxiliary Power

The Auxiliary Power is a Class B 24 VDC special application output rated at a maximum of 1.0 Amp. The auxiliary power may be programmed as continuous or resettable 24VDC power.

Aux Power Characteristics

- The impedance to ground for ground fault detection is 0 ohms.
- Supervised and power-limited.
- Circuit is provided with battery back-up.
- 19.7-27.2 V
- Resettable for 4-wire smoke detectors

Figure 10. Auxiliary Connections Example



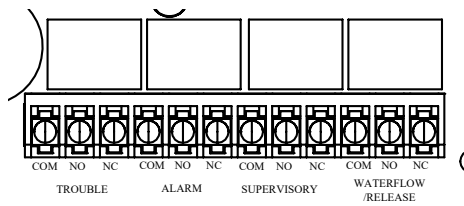
Relay Output Wiring

The panel has four (4) form C system relays: alarm, trouble, supervisory and waterflow. The trouble relay is a fail safe relay that changes position anytime a trouble condition occurs.

Relay Characteristics

- Relays have a contact rating of 3.0 A at 30 VDC Resistive.
- All wiring between relays and the remote device shall be limited to same room installation.

Figure 11. Relay Output Wiring



Class A Expander Installation (CA-4064)

Class A wiring configurations require the use of the CA-4064 expander board. Once the card is installed, the CA-4064 provides the return terminals for Outputs and P-Link devices. Refer to the figures below for examples of installing and wiring a Class A expander card.

Figure 12. Example of a Class A Expander Cards Shown Installed

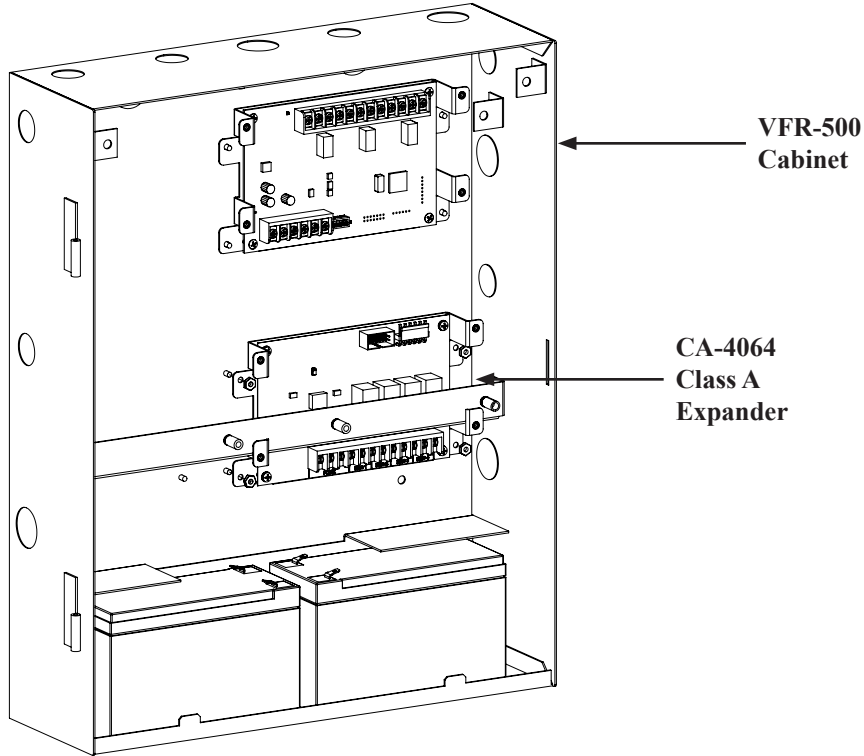


Figure 13. Example of Installing and Wiring a Class A Expander Card

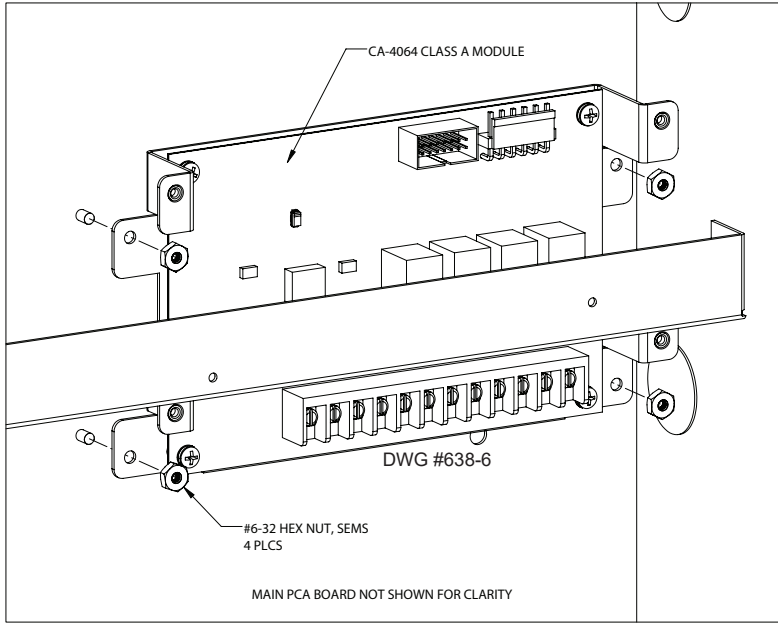


Figure 14. Installed Class A Card

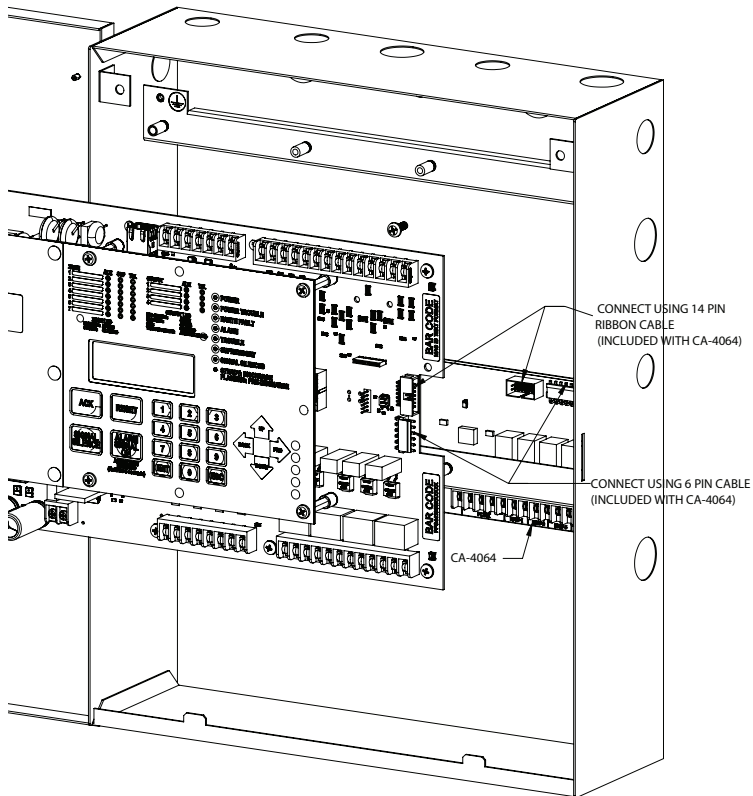


Figure 15. Example of CA-4064 Module Installed Behind Main PCA

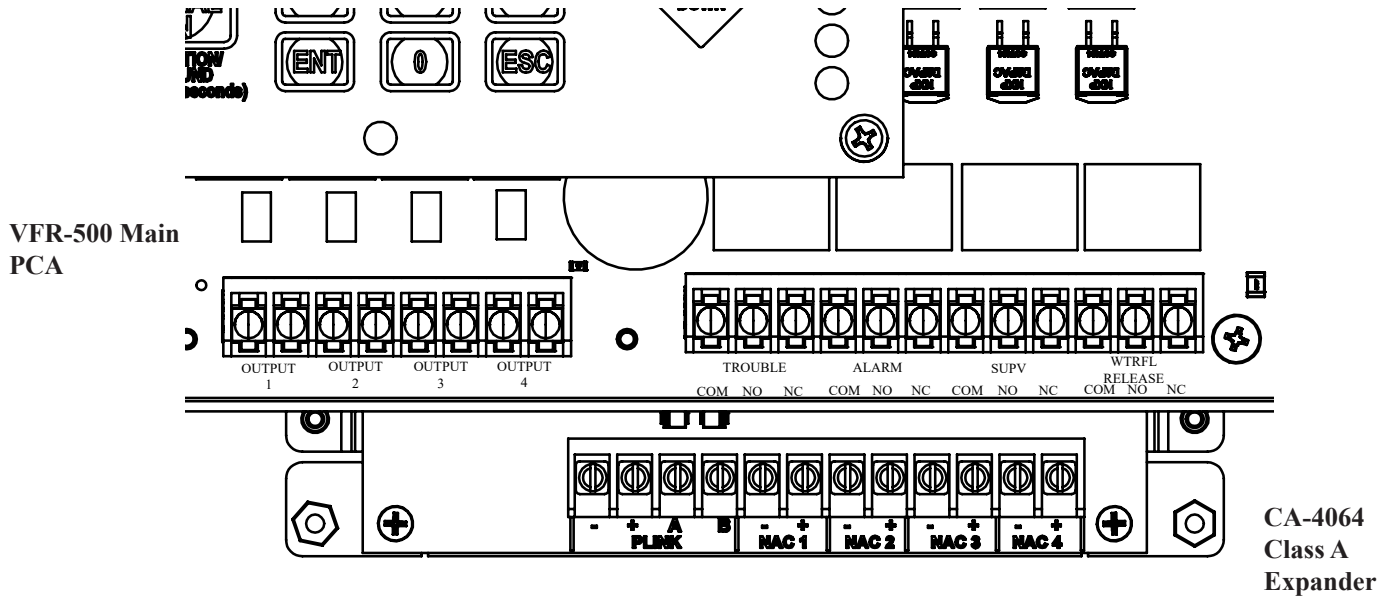
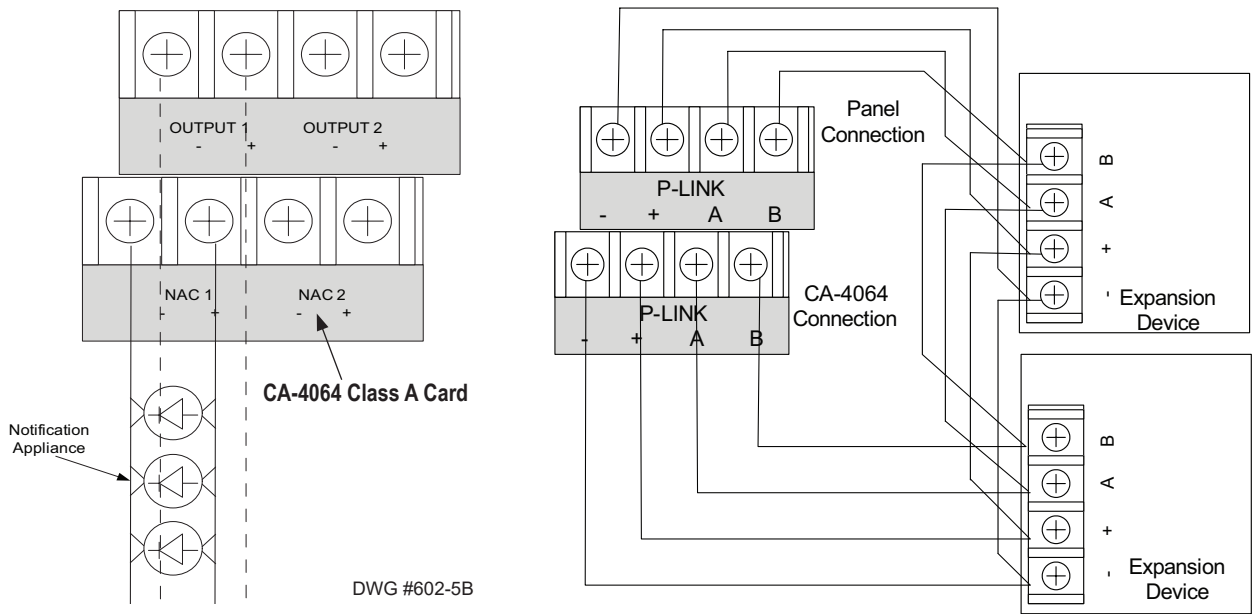


Figure 16. Example of Output Wiring for CA-4064 and Class A P-Link Wiring



Installation Notes:

1. One (1) CA-4064 Class A expander may be installed per panel.
2. The CA-4064 provides the terminals for Outputs and P-Link.

P-Link Modules

P-Links modules such as the IDC-6, remote annunciators, and relay expansion boards (RLY-5) are connected to the main control panel utilizing the four-wire P-Link bus for power and communication. This panel supports a maximum of thirty-one (31) P-Link modules, which can be connected using a Class B or Class A wiring (*examples are provided throughout this topic*).

Note: P-Link Class A wiring requires the installation of a Class A Expander board (CA-4064). Instructions on installing the CA-4064 are included in this section.

Configuration Characteristics

- P-Link maximum current is 1A.
- P-Link voltage rating is 16VDC - 27.2VDC Continuous
- P-Link circuit is supervised and power-limited.
- The maximum wire length is 6,500 feet.

Maximum Wire Resistance Formula

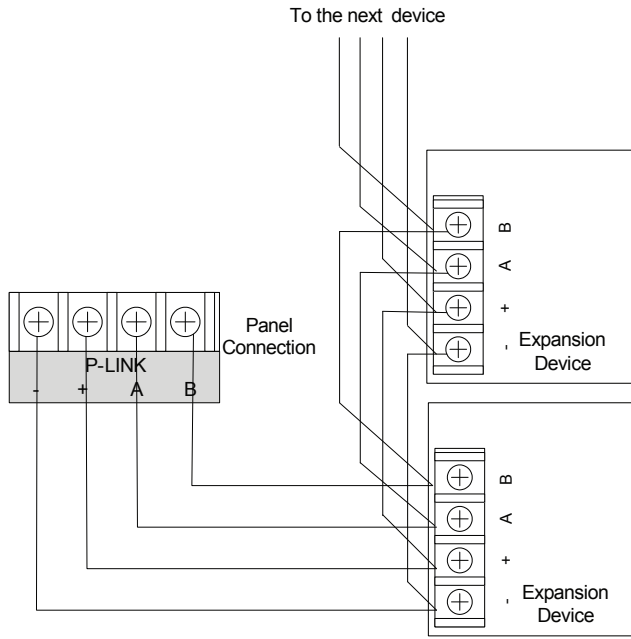
The maximum resistance is based on the *load* placed on the circuit. To calculate the maximum wire resistance, use the following formula:

$$(\text{Total P-Link Devive Current}) \times (\text{Wire Resistance}) < 3 \text{ Volts}$$

The worst case P-Link current draw cannot exceed the 1 amp. P-Link wiring gauges and lengths are calculated using the worst-case current draw values from the table below. The worst case current draw numbers are used only for wiring calculations, refer to the battery calculation worksheet for normal standby and alarm currents.

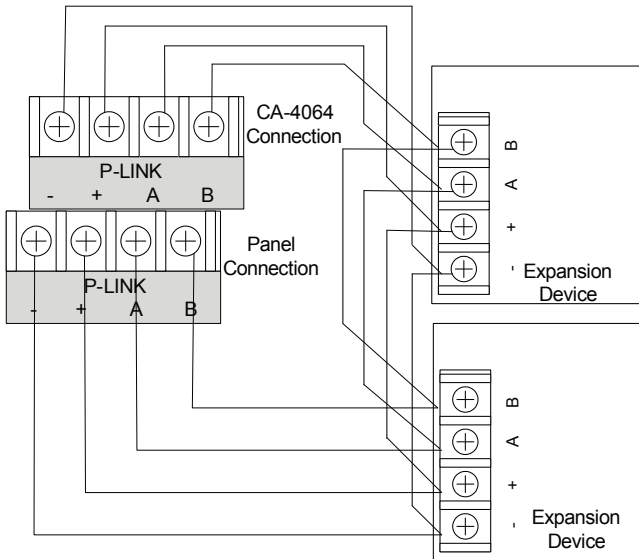
P-Link Accessory	Worst Case Current Draw (mA)
PSN-1000	15
LED-4410G3	25
RLY-5	35
RA-4410G3	25
IDC-6	20

Figure 17. P-Link Device Class B, Wiring Example



DWG #602-11A

Figure 18. P-Link Device Class A Wiring Example (Requires CA-4064)



DWG #638-4

Addressing P-Link Modules

P-Link modules' addresses are set by changing the dip switches located on each device.

P-Link Addresses

Every P-Link device has a five position dip switch which is used to program the device address ranging from one (1) to thirty-one (31). Use the table below to reference Dip Switch Settings:

Address	Dip Switch Settings				
	SW-1	SW-2	SW-3	SW-4	SW-5
1	On	Off	Off	Off	Off
2	Off	On	Off	Off	Off
3	On	On	Off	Off	Off
4	Off	Off	On	Off	Off
5	On	Off	On	Off	Off
6	Off	On	On	Off	Off
7	On	On	On	Off	Off
8	Off	Off	Off	On	Off
9	On	Off	Off	On	Off
10	Off	On	Off	On	Off
11	On	On	Off	On	Off
12	Off	Off	On	On	Off
13	On	Off	On	On	Off
14	Off	On	On	On	Off
15	On	On	On	On	Off
16	Off	Off	Off	Off	On

Address	Dip Switch Settings				
	SW-1	SW-2	SW-3	SW-4	SW-5
17	On	Off	Off	Off	On
18	Off	On	Off	Off	On
19	On	On	Off	Off	On
20	Off	Off	On	Off	On
21	On	Off	On	Off	On
22	Off	On	On	Off	On
23	On	On	On	Off	On
24	Off	Off	Off	On	On
25	On	Off	Off	On	On
26	Off	On	Off	On	On
27	On	On	Off	On	On
28	Off	Off	On	On	On
29	On	Off	On	On	On
30	Off	On	On	On	On
31	On	On	On	On	On

Note: When assigning dip switch addresses, each device must have a unique number within each device type group. For example, a group of LCD annunciators may be assigned 1-10, and PSN-1000 power expansion boards may also be assigned 1-10.

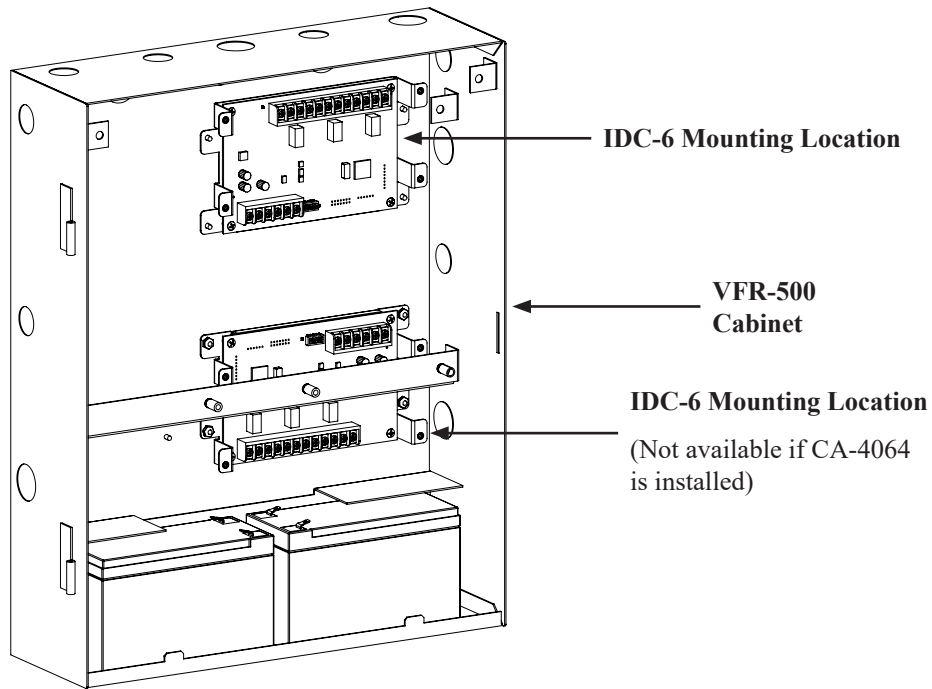
Module Installation

Initiating Device Circuit Module - IDC-6

The panel supports up to four (4) IDC-6 modules. The IDC-6 is controlled over the 4 wire P-Link connection. The IDC-6 mounts in the panel cabinet (up to two (2)) as shown below. It also can be mounted in the AE-2, AE-8 or AE-14 accessory cabinets..

Note: When using an accessory cabinet, the cabinet **MUST** be mounted within 20 feet of the panel or power supply

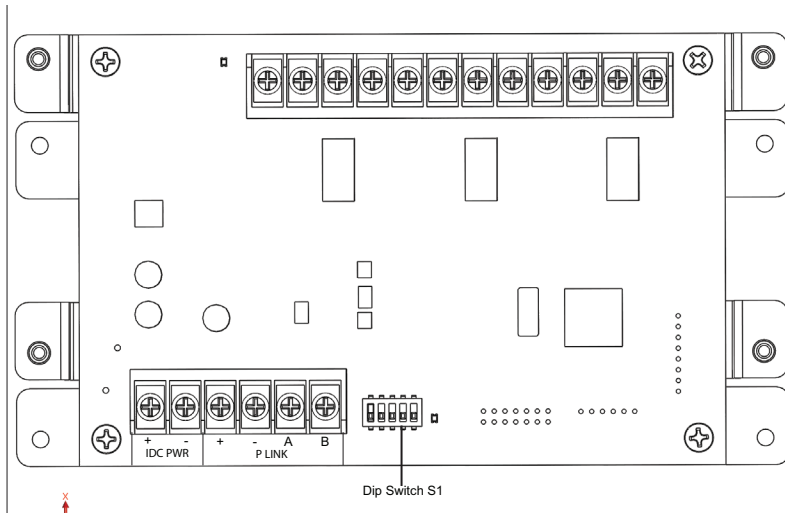
Figure 19. IDC-6 Module locations



Setting Address

The IDC-6's address is set by **dip switch S1** (as shown below). The address must be set in the range of one to thirty-one (1–31) to be recognized by the panel. (Refer to the "P-Link Addresses" table shown earlier in this section for DIP switch programming.)

Figure 20. IDC-6 Dip Switch locations



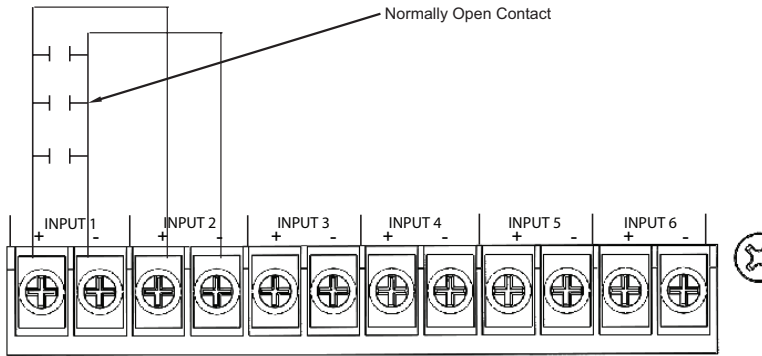
Input Wiring Specification

- Maximum short circuit current = 47mA
- Maximum wiring resistance = 100 Ohms
- Maximum wiring capacitance = 1 mF
- Maximum wire length in feet = 10,000 feet
- Normal standby current = 2.5 mA
- IDC operating voltage range = 15VDC – 28VDC

IDC-6 Wiring Configuration

The IDC-6's may be configured and installed as Class B or Class A. Please refer to the following examples:

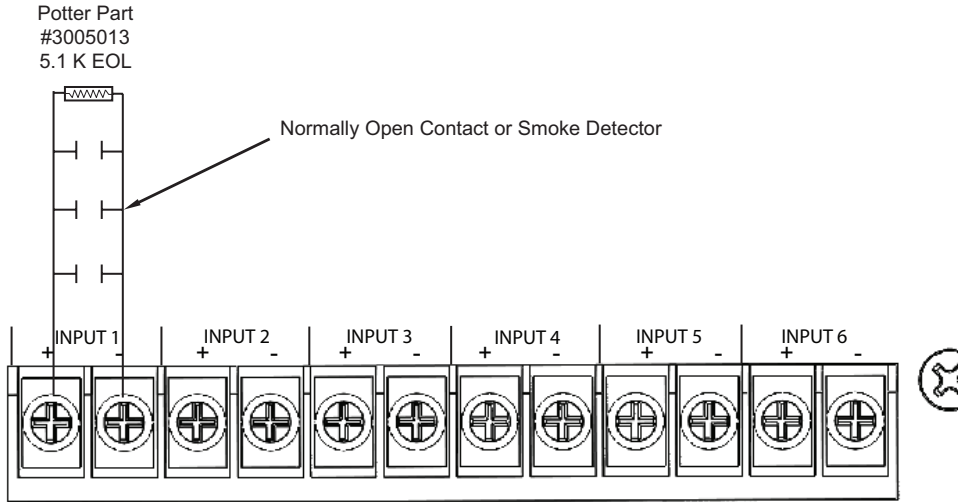
Figure 21. Example of IDC-6 Class A Wiring



Input Circuit Class A Notes:

1. Maximum wiring resistance must not exceed 100 ohms.
2. The input has ground fault detection with 0 ohm impedance to ground.

Figure 22. Example of IDC-6 Class B Wiring



Input Circuit Class B Notes:

1. Maximum wiring resistance must not exceed 100 ohms.
2. The input has ground fault detection with 0 ohm impedance to ground.
3. The Potter part number for the listed end of line assembly is #3005013 EOL Resistor Assembly.

IDC PWR can be provided by any listed source

Figure 23. Class B P-Link and IDC Power Wiring

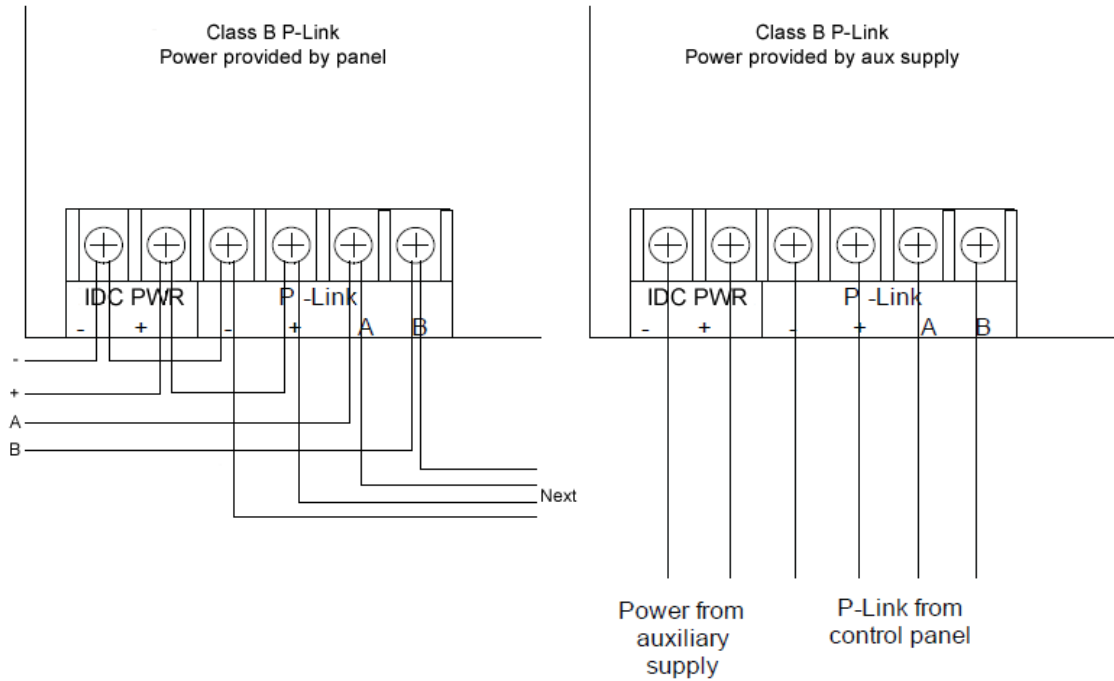
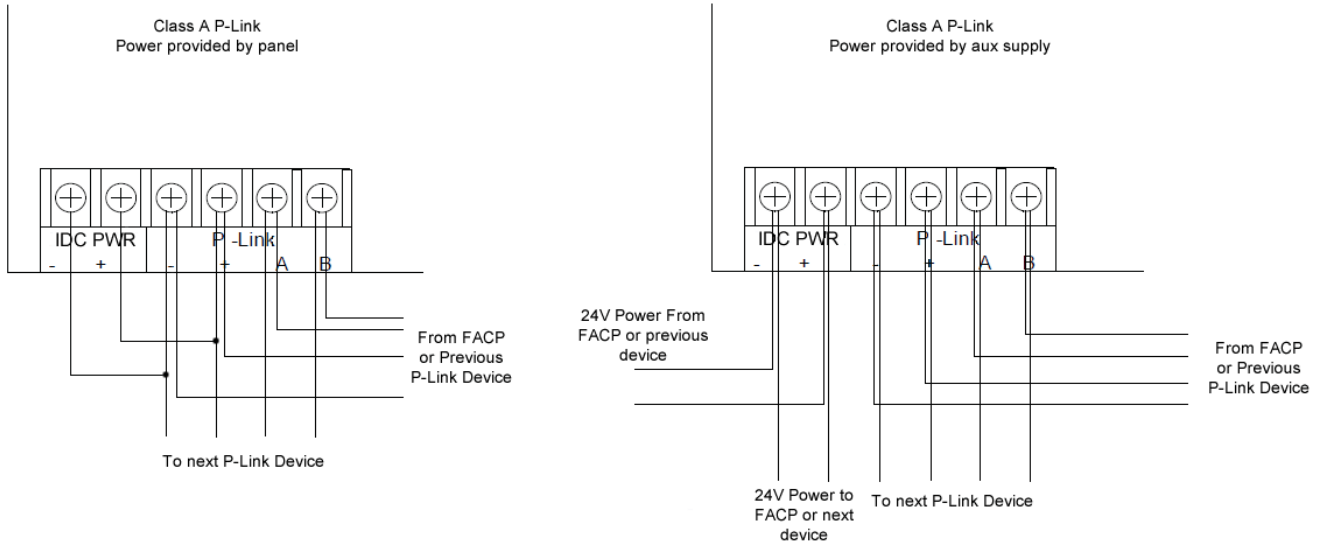


Figure 24. Class A P-Link and IDC Power Wiring



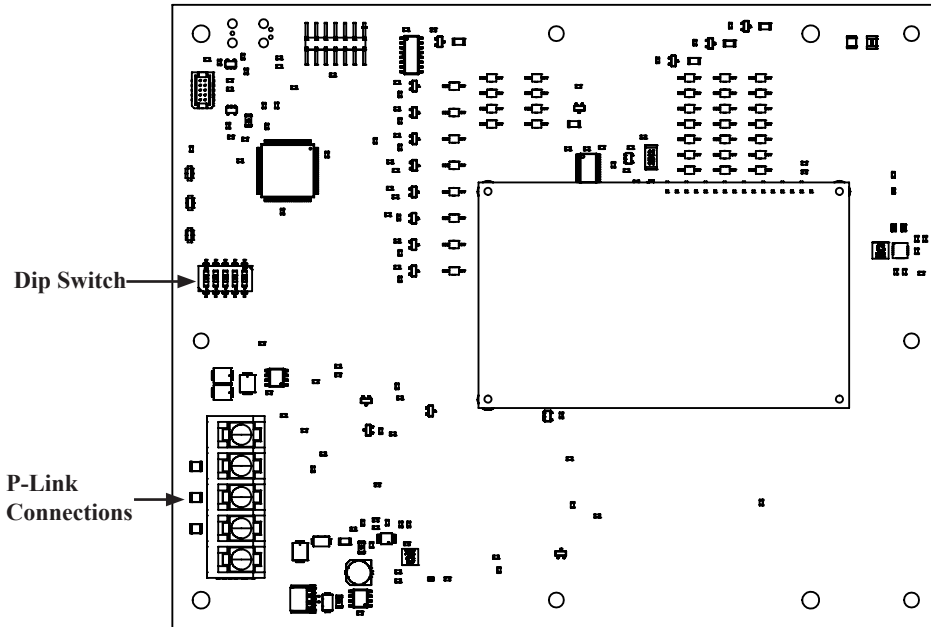
Remote Annunciators Installation

Up to 31 RA-4410G3 annunciators can be connected to the VFR-500. The RA-4410G3 provides the same user interface including the same LED and LCD display and keypad as the main panel.

Setting Addresses

An annunciator's address is set by **dip switch S21**, which is located on the back of the annunciator. The address must be set in the range of one to thirty one (1–31) to be recognized by the panel. (*Refer to the "P-Link Addresses" table*)

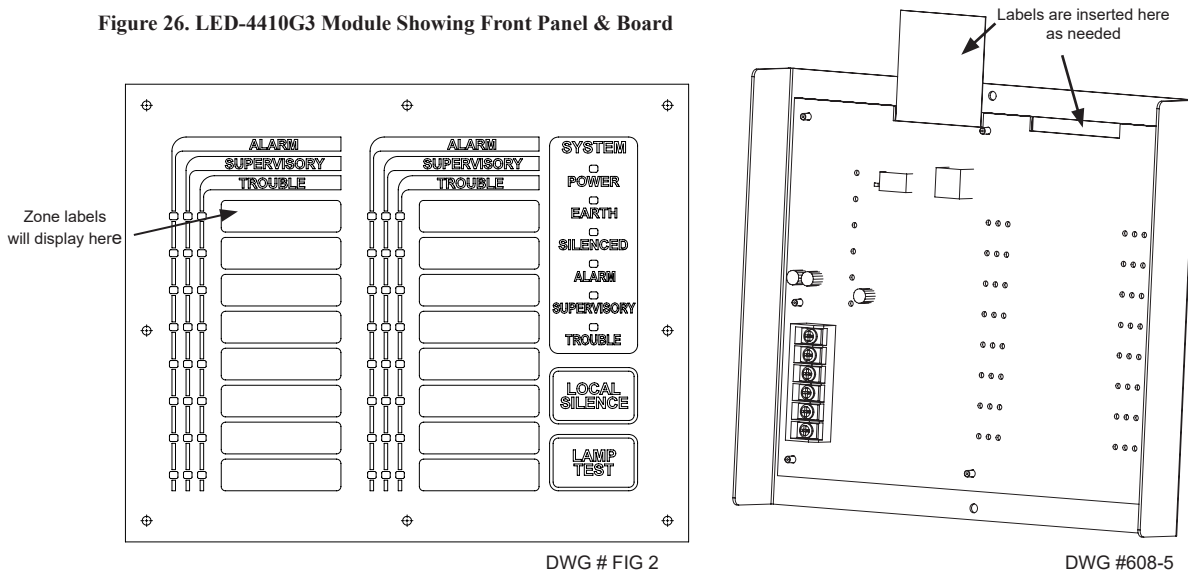
Figure 25. Annunciator Back Panel View



LED Annunciator Installation (LED-4410G3)

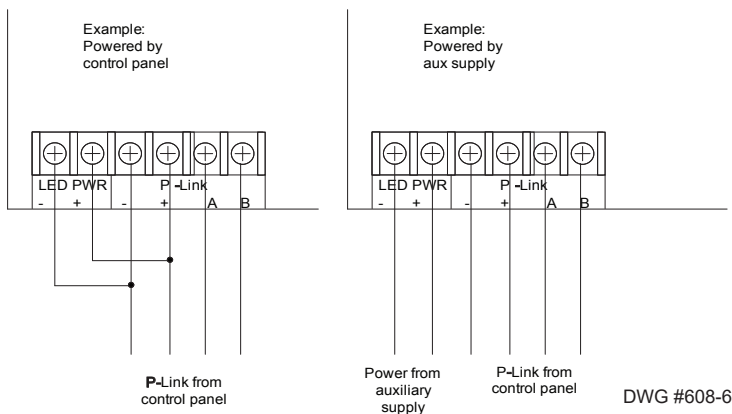
The panel supports up to ten (10) LED-4410G3 Annunciators. The LED-4410G3 displays alarm, supervisory, and trouble conditions for up to 16 zones per annunciator. They also provide *Local Silence* and *Lamp Test* functionality. Blank zone labels are provided for use with the LED annunciators to label each zone name or identifier. The labels may be printed or written on the supplied card-stock, and then inserted into the back of the front panel as shown in the right-most figure below.

Figure 26. LED-4410G3 Module Showing Front Panel & Board



The LED-4410G3 is controlled over the 4-wire P-Link connection. The higher current required for the LED outputs can be provided by the panel, or from an auxiliary power source as shown below. The auxiliary power can be any 24VDC source, and is fully supervised.

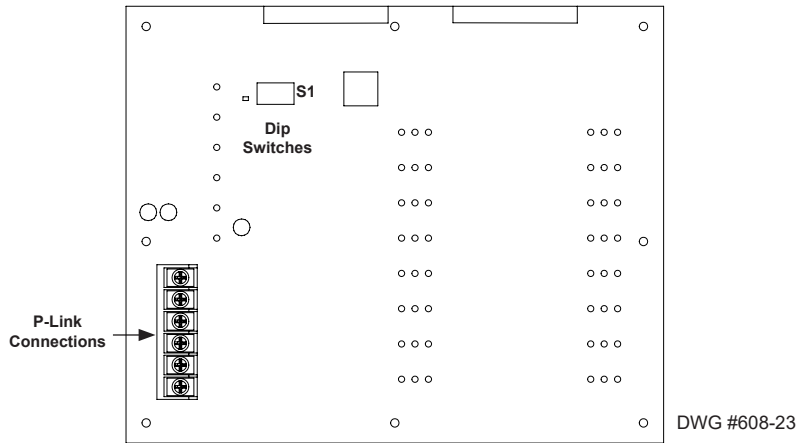
Figure 27. Examples of Wiring LED-4410G3 Module to Control Panel or Auxiliary Power Supply



Setting Addresses

The LED-4410G3 address is set by **dip switch S1**. The address must be set in the range of one to thirty-one (1–31) to be recognized by the panel. (Refer to the "**P-Link Addresses**" table)

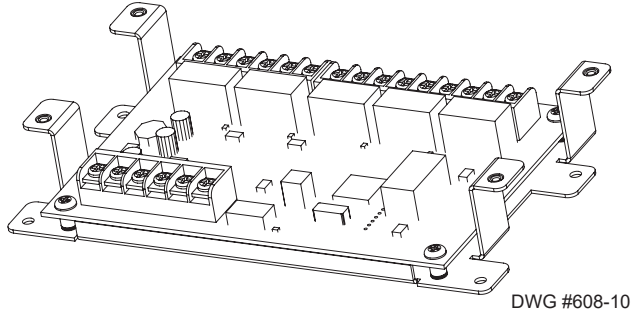
Figure 28. LED-4410G3 Panel Showing Dip Switch Location



Relay Board Installation (RLY-5)

The panel supports up to thirty-one (31) RLY-5 (Relay Board) modules. Each RLY-5 provides 5 programmable output relays, which can be individually mapped to any zone. The RLY-5 is controlled over the 4-wire P-Link connection. The RLY-5 mounts in a mounting bracket as shown below, and then installed into the panel cabinet, or in either of the AE-2, AE-8 or AE-14 accessory cabinets.

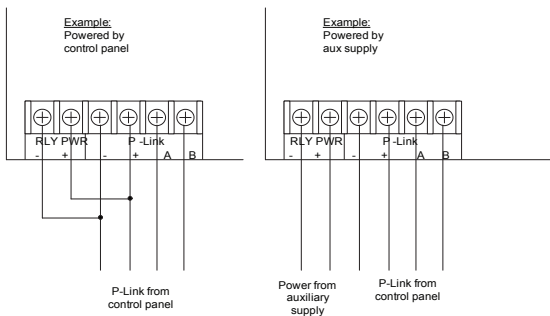
Figure 29. RLY-5 Board Showing Mounting Bracket



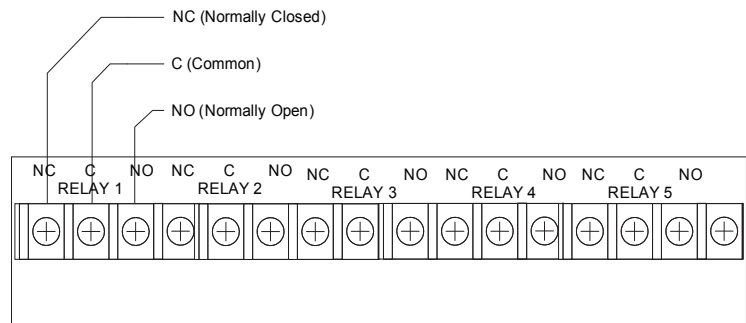
DWG #608-10

The RLY-5 higher current required for the relay outputs can be provided by the panel, or from an auxiliary power source as shown below. The auxiliary power can be any listed 24VDC source, and is fully supervised.

Figure 30. RLY-5 Wiring to Control Panel /Auxiliary Power Supply Examples & RLY-5 Showing Normally Open/Normally Closed Contacts



DWG #608-6A

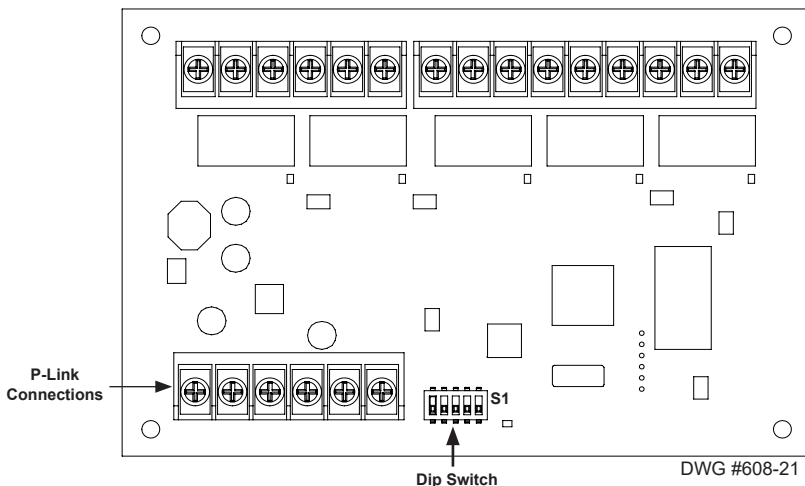


DWG #608-10C

Setting Addresses

The RLY-5's address is set by **dip switch S1**. The address must be set in the range of one to thirty-one (1–31) to be recognized by the panel. (Refer to the "P-Link Addresses" table)

Figure 31. Relay Board Panel View Showing Dip Switch Location



DWG #608-21

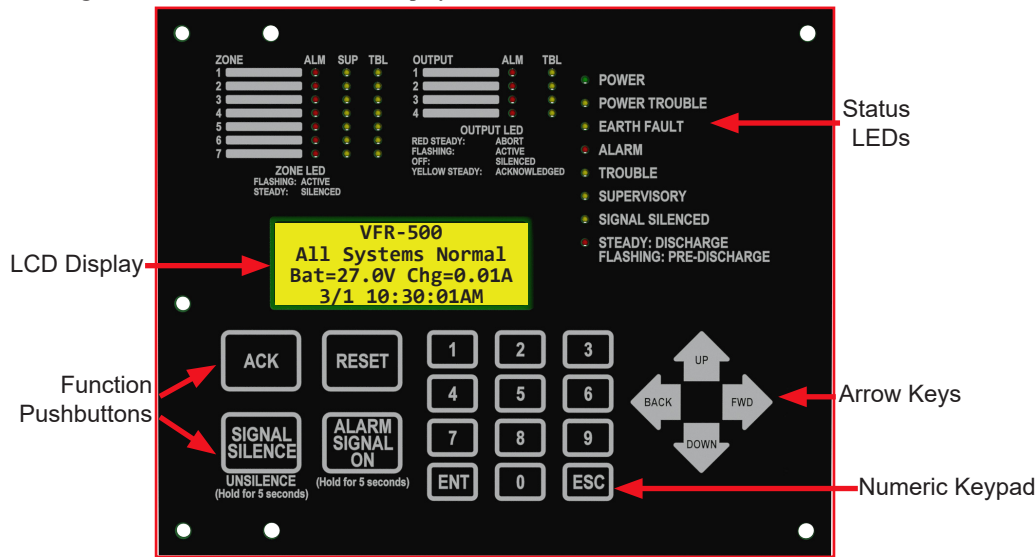
Section 4: Operation

This section provides an overview of the control panel's basic operations, which includes the status LEDs, function pushbuttons, and a Control Panel Menu Tree quick reference sheet.

Control Panel Basic Operation

The control panel is comprised of a four (4) line x 20-character LCD display panel, arrow keys, push button function keys, status LEDs, and the numeric keypad. A description of each component is included in this section; please refer to the figure shown below.

Figure 32. VFR-500 Control Panel Display

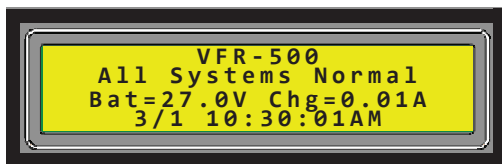


Note: Authorized system operators must use a key to open the outer door of the cabinet.

LCD Display

The LCD panel displays the standard *Start-up menu* as shown below. The LCD displays up to eighty (80) characters of information, providing important feedback to system users, *i.e., system messages, status information, trouble conditions, or input changes*. The LCD also provides access to the Main Menu for daily system operations and specific programming functions.

Figure 33. LCD Start-Up Screen







Note: You may customize the Start-up screen to display a specific job site name or other relevant descriptive text.

- LCD brightness adjustment: Press ZERO and FWD ARROW will increase LCD brightness after reaching full brightness LCD will go to its lowest setting and continue increasing.

Menu Navigation Keys

The **arrow keys** allow you to scroll or move through the control panel menus. The **Ent** and **Esc** keys may also be used to navigate through menus; they are located on the numeric keypad. The table shown below provides a summary of the navigation keys.

Push button	Description
	Moves/scrolls up or down through menus and events
	Scrolls to the left or right to display details, if any, of current menu item. Note: When the LCD panel displays a LEFT and/or RIGHT arrow, this indicates more information may be viewed.
	Displays the Main Menu or selects the current menu option. Note: The blinking “→” indicates the current menu option.
	Returns to previous menu or backs up to previous screen.

Numeric Keypad





The numeric keypad allows you to enter user codes when required to access restricted functions. Alternatively, the numbers may be used to quickly select menu options vs. using the arrow and Ent keys to select a function.

Figure 34. Control Panel Numeric Keypad



Function Pushbuttons

The four (4) function push buttons are used when system alarm / trouble conditions occur. Refer to the table below for a brief summary of the pushbuttons:

Pushbutton	Description
	Press to <i>acknowledge</i> the currently displayed condition. The panel buzzer will automatically silence after all trouble and supervisory events have been acknowledged
	Press to <i>silence</i> all outputs programmed as <i>silenceable</i> and buzzer. Press and hold for 5 seconds to Unsilence outputs.
	Press to <i>reset</i> panel to <i>normal condition</i> .
	Press and hold for 5 seconds to activate alarm signal output circuits Note: Alarm signal activation does not activate outputs classified as second alarms.

Status LEDs

The control panel’s LEDs communicate system conditions by illuminating and/or flashing the applicable **green, red or amber** indicators. These are described in the table below.

Figure 35. Control Panel System Status LEDs

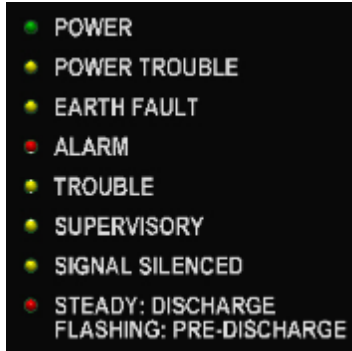


Table 9: System Status LEDs

LED Type	LED Color/Action	Description
POWER ON	Steady Green	AC Power is Present Note: If AC power is absent for more than 5 seconds, LED will extinguish.
POWER TROUBLE	Flashing Amber	Flashes to indicate loss of or low AC power or battery trouble
EARTH FAULT	Flashing Amber	A ground fault is present.
ALARM	Flashing Red	An alarm device is active.
ALARM	Steady Red	All alarm conditions have been silenced
TROUBLE	Flashing Amber	A fault condition is present
TROUBLE	Steady Amber	All fault conditions have been acknowledged
SUPERVISORY	Flashing Amber	A Supervisory condition is present
SUPERVISORY	Steady Amber	All supervisory conditions have been acknowledged
SIGNAL SILENCED	Flashing Amber	An activated Output has been silenced
DISCHARGE	Steady Red	Release output has been activated
PREDISCHARGE	Flashing Red	PredischARGE timer is counting down to discharge/release

Figure 36. Control Panel Zone / Output Status LED

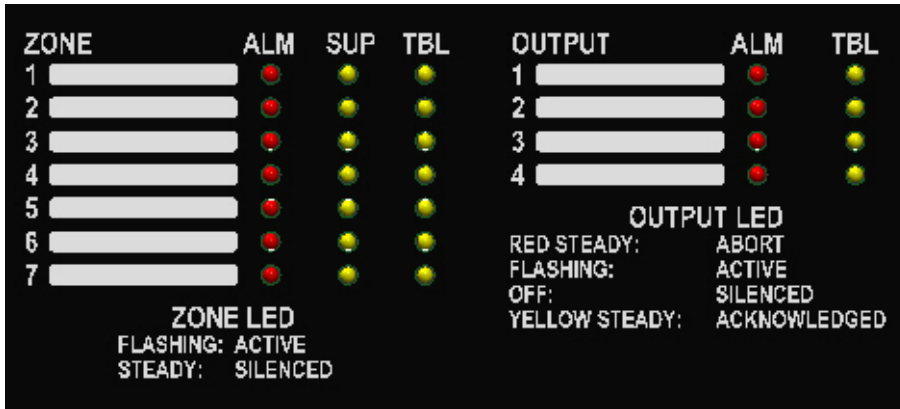


Table 10: System Status LEDs

LED Type	LED Color/Action	Description
TBL	Flashing Amber	Fault condition present
TBL	Steady Amber	Fault condition acknowledged
SUP	Flashing Amber	Supervisory condition present
SUP	Steady Amber	Supervisory condition acknowledged
Zone ALM	Flashing Red	Alarm zone active
Zone ALM	Steady Red	Alarm zone silenced
Output ALM	Flashing Red	Output active
Output ALM	Steady Red	Output aborted <i>*Available in Agent release Mode only</i>

Section 5: Programming

VFR-500 Standard Program Information

The VFR-500 has 28 standard program templates which are detailed on the following pages. Selecting one of these programs will automatically program every function of the panel except custom zone and banner messages.

NOTE:

The release soak time defaults to continuous for all programs.

In the Agent suppression programs, the predischage timer for detectors defaults to 60 seconds. The predischage timer for manual stations defaults to 30 seconds. The abort mode defaults to UL.

Default programming allows the activation of a zone programmed as, Manual Release, to override any cross zoning and abort to activate the release output it is mapped to. Abort override can be changed in the panel programming by allowing manual release zones to be aborted.

Default programming does not allow zones programmed as Manual Release to be aborted. This can be changed in the panel programming.

VFR-500 Standard Program Information

Press ENT to enter program mode.

Scroll down to see the various menu options. A blinking arrow \longrightarrow indicates the current option.

Users can also simply enter the option number. See the Menu Tree for a complete list and location of options

Follow the on-screen instructions

NOTE: Some options have YES/NO selections. Use the up/down arrows to change selection.

To enter one of the standard programs:

1. Press ENT
2. Enter 6 or scroll down to PROGRAMMING, indicated by a flashing \longrightarrow and press ENT.
3. Enter the password. Factory default password is, 1111.
4. Press 1 OR ENT to select PRORGAM NUMBER.
5. Enter the desired program number
6. Press ENT
7. Press 1 to accept the new program
8. Press ENT to accept the change and update the panel

All zones and outputs are now programmed and all mapping of zones to correlating outputs is complete.

For abort functionality (available in Agent Release Mode only), pre-discharge or soak timers are required, repeat steps 1-3. Then select the desired option and follow the on-screen instructions.

Modifications to standard programs can be easily accomplished using the Viking programming tool.

The following is an explanation of how the various programs operate and information about the types of devices that are to be connected to the input (Initiating) zones and output (NAC) circuits.

If none of the standard programs are acceptable for the operation required, selecting program 0 allows the user to create a custom program. Standard programs can also me modified to create custom programs. Simply select the standard program that is closest to the operation needed. Then selecting program 0 allows the user to make changes to the previously selected program as necessary.

If zone characteristics need to be modified, including latching, output patens, manual/auto silence behavior. Repeat steps 1-6 above and select program 0. After the panel restarts to edit zone characteristics repeat steps 1-3 and select 6 ZONES.

The water based extinguishing programs are numbered 1-15 and 30-34. The agent extinguishing programs are numbered 20-24.

To enable Class A on zones 3 or 4:

1. Install IDC-6 with address 16 as described on pg. 3-23
2. Press ENT
3. Enter 8 or scroll down to PANEL SETUP, indicated by a flashing → and press ENT
4. Enter the password. Factory default is 1111.
5. Enter 2 or scroll down to LEARN MENU, indicated by a flashing → and press ENT
6. Press 1 OR ENT to select LEARN ALL

The panel will search for connected devices

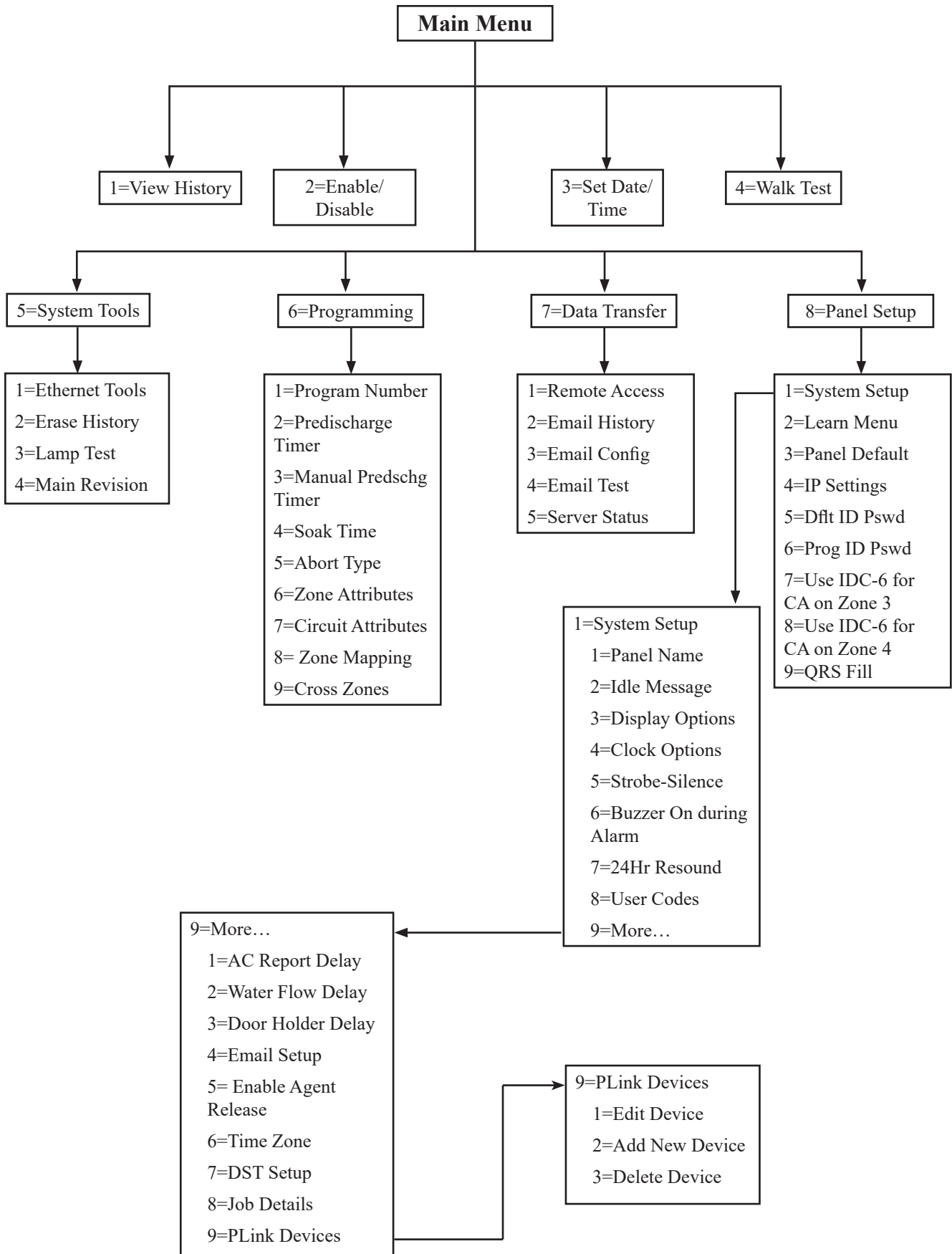
7. Press 1 or ENT to select P-LINK FOUND to review devices

Addr 16 (IDC-6)

8. Press ESC to exit learn all menu
9. Press 1 to Accept the new devices
10. Press ENT to accept the change and update the panel
11. Press ENT
12. Enter 8 or scroll down to PANEL SETUP, indicated by a flashing → and press ENT
13. Enter the password. Factory default is 1111.
14. Enter 7 or scroll down to IDC6 F/CA ZONE 3, indicated by a flashing → and press ENT
15. Press any key to accept
16. Press ESC to exit PANEL SETUP menu
17. Press 1 to Accept
18. Press ENT to accept the change and update the panel

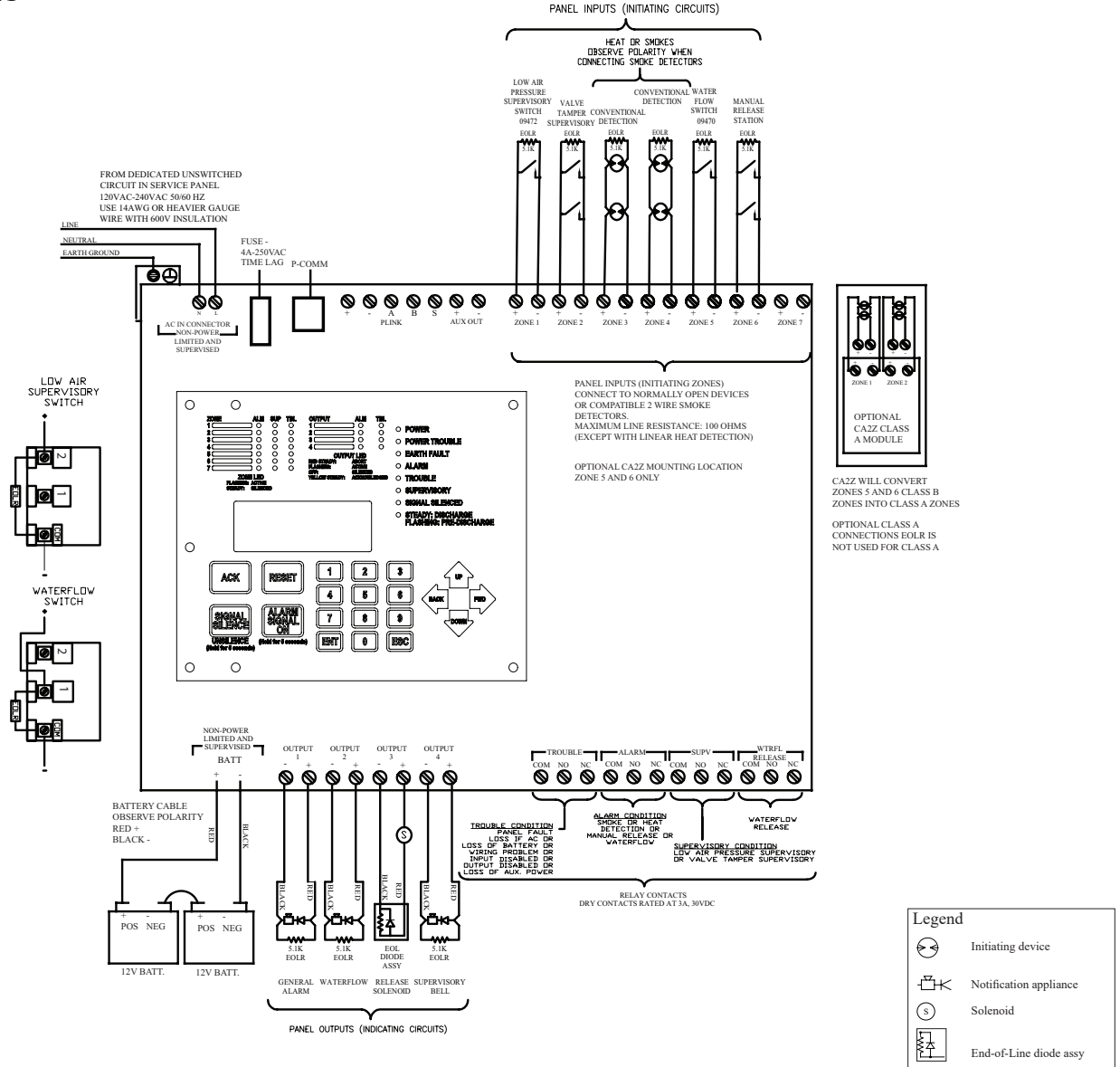
Repeat steps 11 – 18 using 8 or scroll down to IDC6 F/CA ZONE 4 to enable class A for zone 4. Zone 3 class A wiring to INPUT 3 / INPUT 4 on IDC-6 address 16 as shown on page 3-24. Zone 4 class A wiring to INPUT 5 / INPUT 6 on IDC-6 address 16. When using standard program templets IDC-6 address 16 INPUTS 1 and INPUT 2 are unused.

Menu Tree



Wiring Diagram Programs

PROGRAM #1



NOTES:

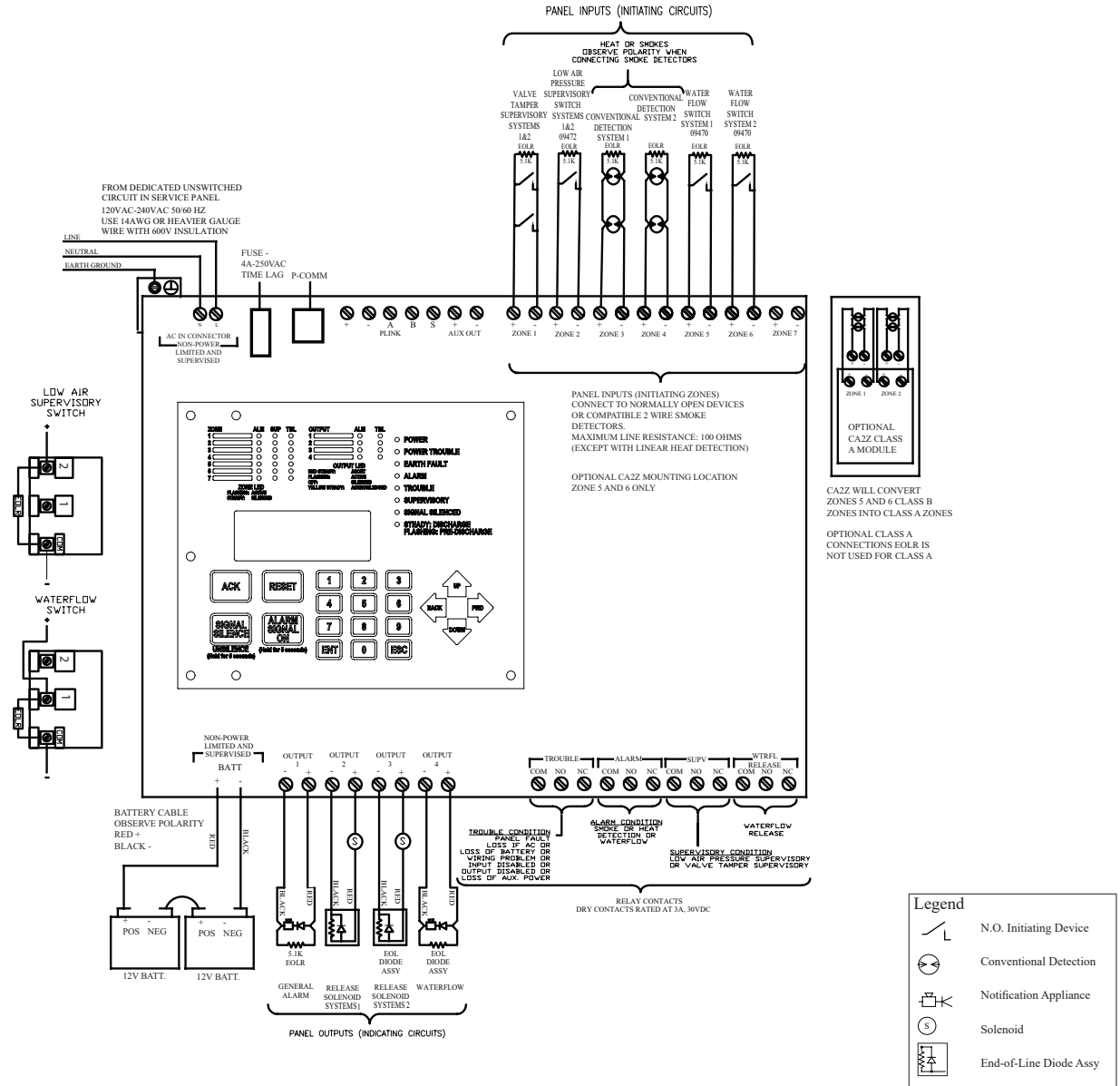
1. Run field wiring and ensure connections are proper by metering wires. Resistance reading should be 5.1K ohms with end-offine resistor (EOLR) at last device. The end-of-line resistor are supplied with the panel Install EOLR on all unused circuits.
2. Connect one circuit at a time and apply AC power.
3. Connect batteries to the panel
4. Press ENT to enter PROGRAM mode
5. Press 6 or scroll down to #6 and press ENT, (The selection is indicated by a flashing arrow next to the number.
6. Enter the password. (Factory default is 1111)
7. Press 1 or press ENT. (1 should be the highlighted selection)
8. The display shows the current program number. Press 1 to change to program 1. Press ENT.
9. Press 1 to accept the change.
10. Press ENT to accept the change

PROGRAM #1							
For One Sprinkler System							
Viking Sprinkler System Types	2 Release Zones, Waterflow Zone, & Manual Release Zone	1. Single Interlocked Preaction System with Electric Release					
		2. Deluge System with Electric Release					
		3. Non-Interlocked Preaction System with Electric Release					
		4. Double Interlocked Preaction System with Electric/Pneumatic Release					
OUTPUTS (Indicating Circuits)	ZONES (Initiating Circuits)						
	#1	#2	#3	#4	#5	#6	#7
	Low Air Supervisory Zone	Valve Tamper Supervisory Zone	Conventional Detection Zone	Conventional Detection Zone	Waterflow Zone	Manual Release Zone	Unused
#1 General Alarm			X	X	X	X	
#2 Waterflow					X		
#3 Release Solenoid			X	X		X	
#4 Supervisory Bell	X	X					
OPERATION DESCRIPTION							
Inputs:	2 Conventional Detection zones, 1 Waterflow zone, 1 Manual Release zone, 2 Supervisory zones						
Outputs:	1 General Alarm, 1 Waterflow Alarm, 1 Solenoid Release, 1 Supervisory Bell						
Operation:	Activation of Conventional Detection zone #3 or #4 or Manual Release zone #6 will activate output #3 (Release Solenoid) and output #1 (General Alarm)						
	Activation of Waterflow zone #5 will activate output #2 (Waterflow) and output #1 (General Alarm)						
	Activation of Low Air Supervisory zone #1 or Valve Tamper Supervisory zone #2 will operate output #4 (Supervisory Bell).						

NOTES:

1. Connect EOL Diode assembly IN SERIES as shown with Solenoid on output #3 (Release Solenoid). Black wire to negative terminal on panel and Red wire through Solenoid to positive terminal on panel.
2. Polarity is shown on indicating circuits in an activated (in alarm) condition.
3. Install EOLR (provided) on all unused circuits.
4. See the instruction manual for circuit information, panel limits, and battery sizing.
5. For wire routing instructions through the releasing panel, see Fig 1 on page 2-7 of the instruction manual.
6. See instruction manual for proper programming.
7. See instruction manual for list of compatible smoke detectors.
8. See specific system type data page for proper pressure switch settings.

PROGRAM #2



NOTES:

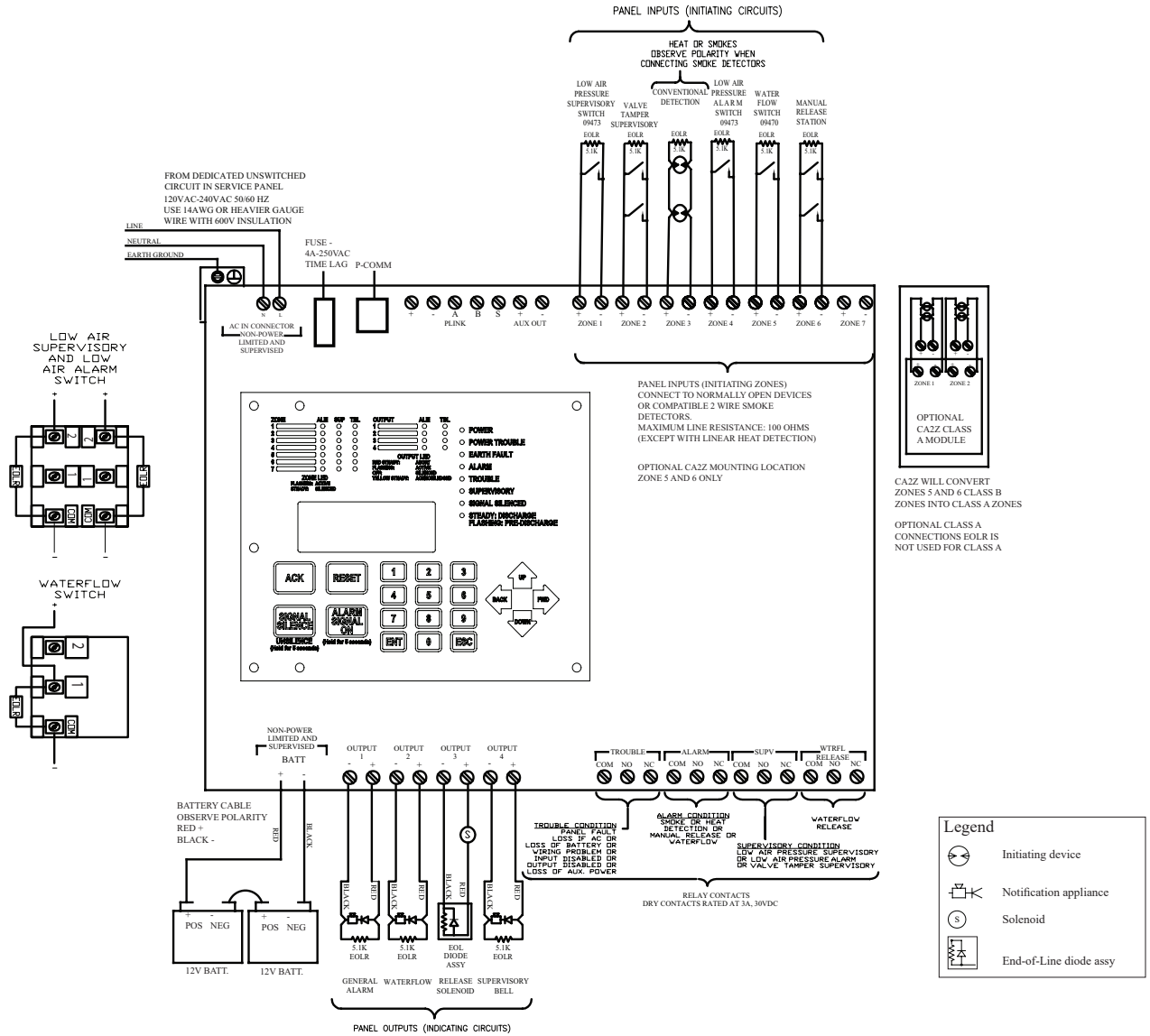
1. Run field wiring and ensure connections are proper by metering wires. Resistance reading should be 5.1K ohms with end-offline resistor (EOLR) at last device. The end-of-line resistor are supplied with the panel Install EOLR on all unused circuits.
2. Connect one circuit at a time and apply AC power.
3. Connect batteries to the panel
4. Press ENT to enter PROGRAM mode
5. Press 6 or scroll down to #6 and press ENT, (The selection is indicated by a flashing arrow next to the number.
6. Enter the password. (Factory default is 1111)
7. Press 1 or press ENT. (1 should be the highlighted selection)
8. The display shows the current program number. Press 2 to change to program 2. Press ENT.
9. Press 1 to accept the change.
10. Press ENT to accept the change

PROGRAM #2							
For Two Sprinkler Systems Operating Independantly From Each Other							
Viking Sprinkler System Types	2 Split Release Zones and 2 Waterflow Zones	1. Single Interlocked Preaction System with Electric Release					
		2. Deluge System with Electric Release					
		3. Non-Interlocked Preaction System with Electric Release					
		4. Double Interlocked Preaction System with Electric/Pneumatic Release					
OUTPUTS (Indicating Circuits)	ZONES (Initiating Circuits)						
	#1	#2	#3	#4	#5	#6	#7
	Valve Tamper Supervisory Zone for Systems 1 & 2	Low Air Supervisory Zone for Systems 1 & 2	Conventional Detection Zone for System 1	Conventional Detection Zone for System 2	Waterflow Zone for System 1	Waterflow Zone for System 2	Unused
#1 General Alarm			X	X	X	X	
#2 Release Solenoid #1			X				
#3 Release Solenoid #2				X			
#4 Waterflow					X	X	
OPERATION DESCRIPTION							
Inputs:	2 Conventional Detection zones, 2 Waterflow zones, 2 Supervisory zones						
Outputs:	1 General Alarm, 1 Waterflow Alarm, 2 Solenoid Release						
Operation:	Activation of Conventional Detection zone #3 will activate output #2 (Release Solenoid #1) and output #1 (General Alarm)						
	Activation of Conventional Detection zone #4 will activate output #3 (Release Solenoid #2) and output #1 (General Alarm)						
	Activation of Waterflow zone #5 or #6 will activate output #1 (General Alarm) and output #4 (Waterflow)						
	Activation of Valve Tamper Supervisory zone #1 or Low Air Supervisory zone #2 will operate supervisory trouble relay.						

NOTES:

1. Connect EOL Diode assembly IN SERIES as shown with Solenoid on output #2 (Release Solenoid) and output #3 (Release Solenoid). Black wire to negative terminal on panel and Red wire through Solenoid to positive terminal on panel.
2. Polarity is shown on indicating circuits in an activated (in alarm) condition.
3. Install EOLR (provided) on all ununsed circuits.
4. See the instruction manual for circuit information, panel limits, and battery sizing.
5. For wire routing instructions through the releasing panel, see Fig 1 on page 2-7 of the instruction manual.
6. See instruction manual for proper programming.
7. See instruction manual for list of compatible smoke detectors.
8. See specific system type data page for proper pressure switch settings.

PROGRAM #3



NOTES:

1. Run field wiring and ensure connections are proper by metering wires. Resistance reading should be 5.1K ohms with end-off-line resistor (EOLR) at last device. The end-of-line resistor are supplied with the panel. Install EOLR on all unused circuits.
2. Connect one circuit at a time and apply AC power.
3. Connect batteries to the panel
4. Press ENT to enter PROGRAM mode
5. Press 6 or scroll down to #6 and press ENT, (The selection is indicated by a flashing arrow next to the number.
6. Enter the password. (Factory default is 1111)
7. Press 1 or press ENT. (1 should be the highlighted selection)
8. The display shows the current program number. Press 3 to change to program 3. Press ENT.
9. Press 1 to accept the change.
10. Press ENT to accept the change

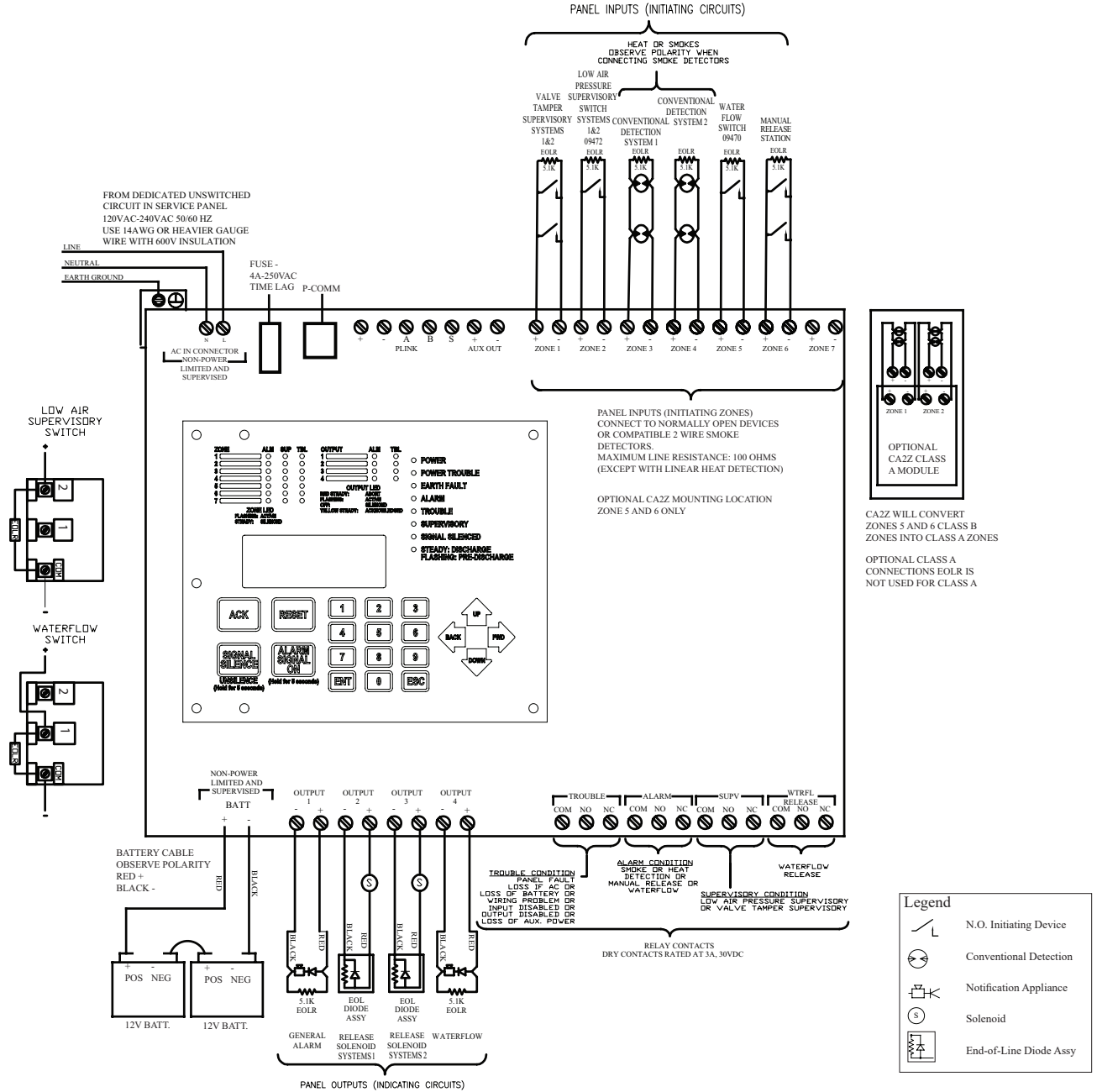
PROGRAM #3									
For One Sprinkler System									
Viking Sprinkler System Types	2 Cross Release zones, Waterflow zone, and Manual Release zone	1. Double Interlocked Preaction System with Electric/Pneu-Lectric Release							
OUTPUTS (Indicating Circuits)	ZONES (Initiating Circuits)							Software Zone	
	#1	#2	#3	#4	#5	#6	#7	#8	
	Low Air Supervisory Zone	Valve Tamper Supervisory Zone	Conventional Detection Zone	Low Air Alarm Zone	Waterflow Zone	Manual Release Zone	Unused	Release Type Zone	
#1 General Alarm			X		X	X		X	
#2 Waterflow					X				
#3 Release Solenoid			X X	X X		X		XX*	
#4 Supervisory Bell	X	X		X					
OPERATION DESCRIPTION									
Inputs:	1 Conventional Detection zone cross zoned with 1 Low Air Alarm zone, 1 Waterflow zone, 1 Manual Release zone, 2 Supervisory zones								
Outputs:	1 General Alarm, 1 Waterflow, 1 Release Solenoid, 1 Supervisory Bell								
Operation:	Simultaneous activation of both the Conventional Detection zone #3 and the Low Air Alarm zone #4 will activate output #3 (Release solenoid), output #1 (General alarm), and output #4 (Supervisory Bell)								
	Activation of Conventional Detection zone #3 will activate output #1 (General Alarm)								
	Activation of Low Air Alarm zone #4 will activate output #4 (Supervisory Bell)								
	Activation of Waterflow zone #5 will activate output #2 (Waterflow) and output #1 (General Alarm)								
	Activation of Manual Release zone #6 will activate output #3 (Release Solenoid) and output #1 (General Alarm)								
Activation of Low Air Supervisory zone #1 or Valve Tamper Supervisory zone #2 will operate output #4 (Supervisory Bell)									

* Release Outputs which are Cross-Zoned need a Software Zone in order to work properly. The Software Zone Number will be displayed upon a release.

NOTES:

1. Connect EOL Diode assembly IN SERIES as shown with Solenoid on output #3 (Release Solenoid). Black wire to negative terminal on panel and Red wire through Solenoid to positive terminal on panel.
2. Polarity is shown on indicating circuits in an activated (in alarm) condition.
3. Install EOLR (provided) on all unused circuits.
4. See the instruction manual for circuit information, panel limits, and battery sizing.
5. For wire routing instructions through the releasing panel, see Fig 1 on page 2-7 of the instruction manual.
6. See instruction manual for proper programming.
7. See instruction manual for list of compatible smoke detectors.
8. See specific system type data page for proper pressure switch settings.

PROGRAM #4



NOTES:

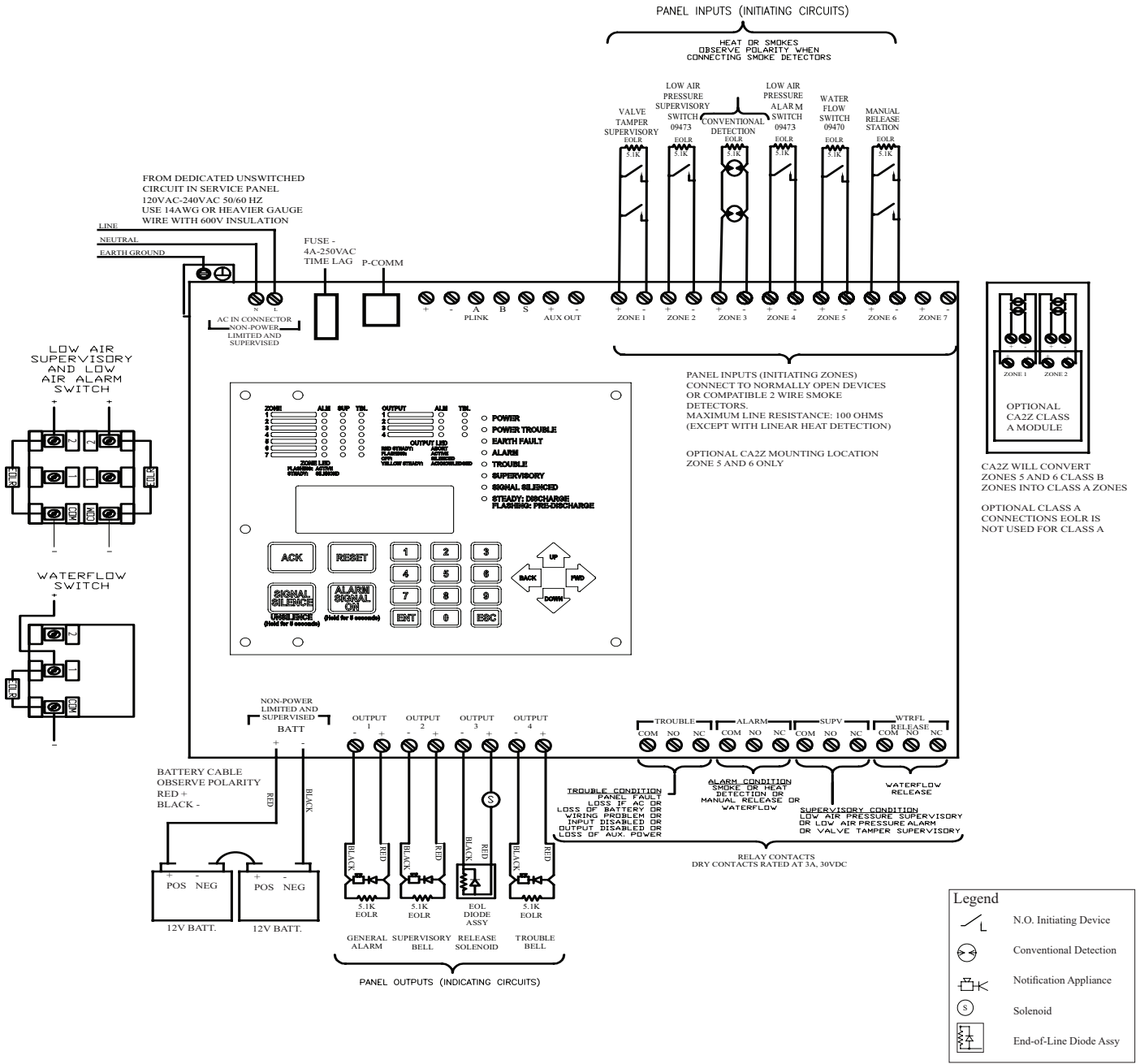
1. Run field wiring and ensure connections are proper by metering wires. Resistance reading should be 5.1K ohms with end-offline resistor (EOLR) at last device. The end-of-line resistor are supplied with the panel Install EOLR on all unused circuits.
2. Connect one circuit at a time and apply AC power.
3. Connect batteries to the panel
4. Press ENT to enter PROGRAM mode
5. Press 6 or scroll down to #6 and press ENT, (The selection is indicated by a flashing arrow next to the number.
6. Enter the password. (Factory default is 1111)
7. Press 1 or press ENT. (1 should be the highlighted selection)
8. The display shows the current program number. Press 4 to change to program 4. Press ENT.
9. Press 1 to accept the change.
10. Press ENT to accept the change

PROGRAM #4							
For Two Sprinkler Systems - Operating Simultaneously							
Viking Sprinkler System Types	2 Dual Release Zones, Waterflow Zone, and Dual Manual Release Zone	1. Single Interlocked Preaction System with Electric Release					
		2. Deluge System with Electric Release					
		3. Non-Interlocked Preaction System with Electric Release					
		4. Double Interlocked Preaction System with Electric/Pneumatic Release					
OUTPUTS (Indicating Circuits)	ZONES (Initiating Circuits)						
	#1	#2	#3	#4	#5	#6	#7
	Valve Tamper Supervisory Zone for Systems 1 & 2	Low Air Supervisory Zone for Systems 1 & 2	Conventional Detection Zone for System 1	Conventional Detection Zone for System 2	Waterflow Zone	Manual Release Zone	Unused
#1 General Alarm			X	X	X	X	
#2 Release Solenoid #1			X	X		X	
#3 Release Solenoid #2			X	X		X	
#4 Waterflow					X		
OPERATION DESCRIPTION							
Inputs:	2 Conventional Detection zones, 1 Waterflow zone, 1 Manual Release zone, #6 Supervisory zones						
Outputs:	1 General Alarm, 1 Waterflow, 2 Release Solenoids						
Operation:	Activation of Conventional Detection zone #3 or #4 or Manual Release zone #6 will activate output #2 (Release Solenoid #1) and output #3 (Release Solenoid #2) and output #1 (General Alarm)						
	Activation of Waterflow zone #5 will activate output #4 (Waterflow) and output #1 (General Alarm)						
	Activation of Valve Tamper Supervisory zone #1 or Low Air Supervisory zone #2 will operate supervisory trouble relay						

NOTES:

1. Connect EOL Diode assembly IN SERIES as shown with Solenoid on output #2 (Release Solenoid) and output #3 (Release Solenoid). Black wire to negative terminal on panel and Red wire through Solenoid to positive terminal on panel.
2. Polarity is shown on indicating circuits in an activated (in alarm) condition.
3. Install EOLR (provided) on all unused circuits.
4. See the instruction manual for circuit information, panel limits, and battery sizing.
5. For wire routing instructions through the releasing panel, see Fig 1 on page 2-7 of the instruction manual.
6. See instruction manual for proper programming.
7. See instruction manual for list of compatible smoke detectors.
8. See specific system type data page for proper pressure switch settings.

PROGRAM #5



NOTES:

1. Run field wiring and ensure connections are proper by metering wires. Resistance reading should be 5.1K ohms with end-of-line resistor (EOLR) at last device. The end-of-line resistor are supplied with the panel Install EOLR on all unused circuits.
2. Connect one circuit at a time and apply AC power.
3. Connect batteries to the panel
4. Press ENT to enter PROGRAM mode
5. Press 6 or scroll down to #6 and press ENT, (The selection is indicated by a flashing arrow next to the number.
6. Enter the password. (Factory default is 1111)
7. Press 1 or press ENT. (1 should be the highlighted selection)
8. The display shows the current program number. Press 5 to change to program 5. Press ENT.
9. Press 1 to accept the change.
10. Press ENT to accept the change

PROGRAM #5							
For One Sprinkler System- NYC Special							
Viking Sprinkler System Types	Release Zone and Manual Release Zone	1. Single Interlocked Preaction System with Electric Release					
		2. Deluge System with Electric Release					
		3. Non-Interlocked Preaction with Electric Release					
		4. Double Interlocked Preaction System with Electric/Pneumatic Release					
OUTPUTS (Indicating Circuits)	ZONES (Initiating Circuits)						
	#1	#2	#3	#4	#5	#6	#7
	Valve Tamper Supervisory Zone	Low Air Supervisory Zone	Conventional Detection Zone	Low Air Alarm Zone	Waterflow Zone	Manual Release Zone	Unused
#1 General Alarm			X		X	X	
#2 Supervisory Bell	X	X		X			
#3 Release Solenoid			X			X	
#4 Trouble Bell							
OPERATION DESCRIPTION							
Inputs:	1 Conventional Detection zone, 1 Waterflow zone, 1 Low Air Alarm zone, 1 Manual Release zone, 2 Supervisory zones						
Outputs:	1 General Alarm, 1 Trouble Bell, 1 Release Solenoid, 1 Supervisory Bell						
Operation:	Activation of Conventional Detection zone #4 or Manual Release zone #6 will activate output #3 (Release Solenoid) and output #1 (General Alarm)						
	Activation of Waterflow zone #5 will activate output #1 (General Alarm)						
	Activation of Low Air Alarm zone #2 or Low Air Supervisory zone or Valve Tamper Supervisory zone #1 will activate output #2 (Supervisory Bell)						
	A trouble condition, (low battery, wire short in outputs, loss AC, panel problem) will activate output #4 (Trouble Bell) and trouble relay						

NOTES:

1. Connect EOL Diode assembly IN SERIES as shown with Solenoid on output #2 (Release Solenoid) and output #3 (Release Solenoid). Black wire to negative terminal on panel and Red wire through Solenoid to positive terminal on panel.
2. Polarity is shown on indicating circuits in an activated (in alarm) condition.
3. Install EOLR (provided) on all unused circuits.
4. See the instruction manual for circuit information, panel limits, and battery sizing.
5. For wire routing instructions through the releasing panel, see Fig 1 on page 2-7 of the instruction manual.
6. See instruction manual for proper programming.
7. See instruction manual for list of compatible smoke detectors.
8. See specific system type data page for proper pressure switch settings.

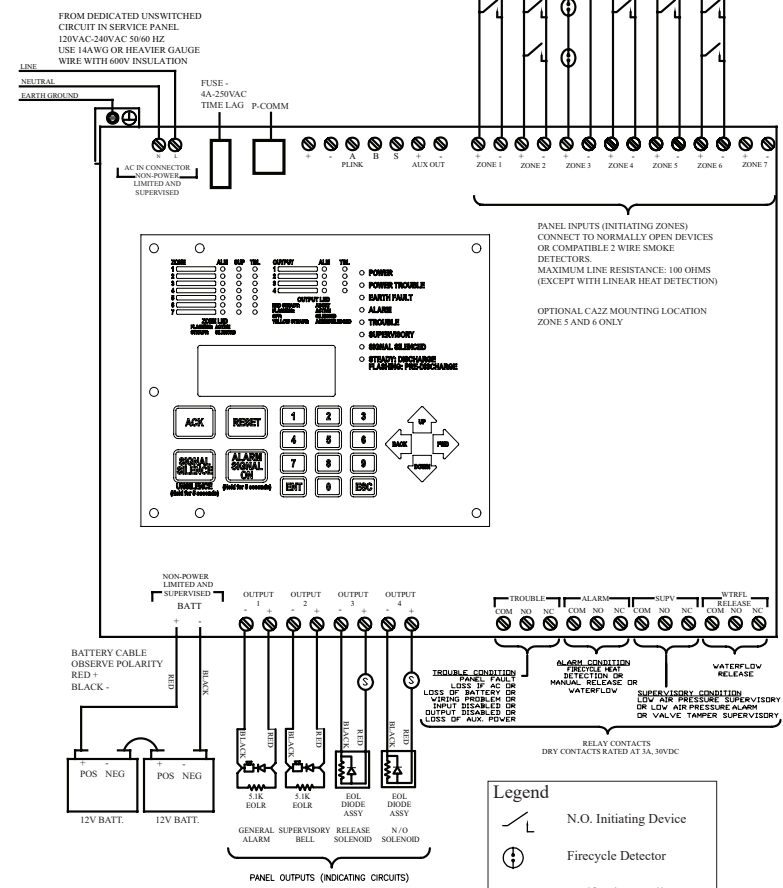
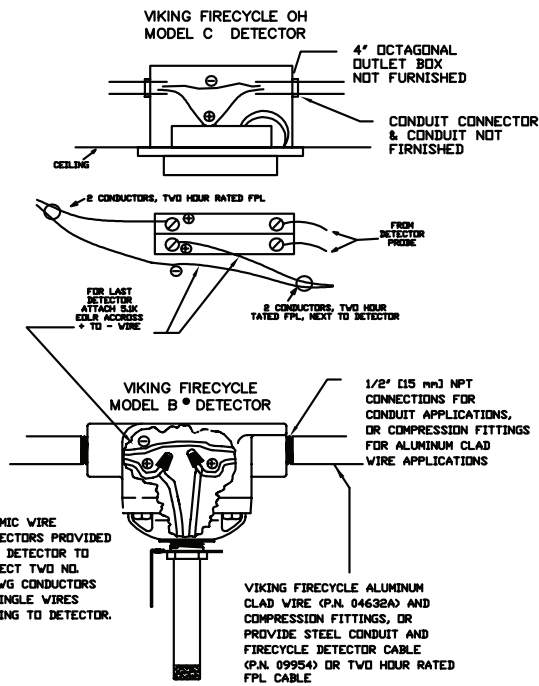
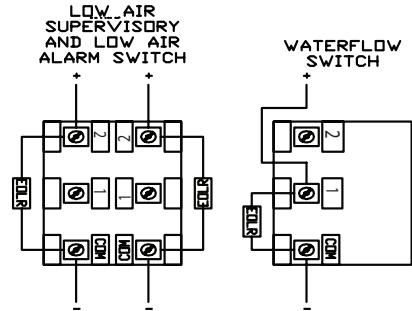
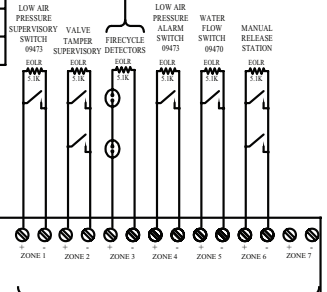
PROGRAM #6

RECOMMENDED AIR PRESSURE SETTINGS		
WATER SUPPLY (psig)	LOW AIR ALARM ZONE #2 (psig)	LOW AIR SUPERVISORY SUP ZONE #1 (psig)
0 - 175	30	30
175 - 250	50	50

EXTRA HAZARD APPLICATIONS				ORDINARY & LIGHT HAZARD APP.			
FIRECYCLE DETECTORS MODEL B				FIRECYCLE OH DETECTORS MODEL C			
WITH 04632A CABLE		WITH FPL WIRE IN CONDUIT		FLUSH MOUNTED		SURFACE MOUNTED	
TEMP. F°	PART NO.	TEMP. F°	PART NO.	TEMP. F°	PART NO.	TEMP. F°	PART NO.
140	04711A	140	08288	140	11723	140	11727
160	04717A	160	08289	160	11724	160	11728
190	04718A	190	08290	190	11725	190	11729
225	04719A	225	08291	225	11726	225	11730

PANEL INPUTS (INITIATING CIRCUITS)

EOLR REQUIRED AFTER LAST DETECTOR FOR SUPERVISION



NOTES:

1. Run field wiring and ensure connections are proper by metering wires. Resistance reading should be 5.1K ohms with end-of-line resistor (EOLR) at last device. The end-of-line resistor are supplied with the panel Install EOLR on all unused circuits.
2. Connect one circuit at a time and apply AC power.
3. Connect batteries to the panel
4. Press ENT to enter PROGRAM mode
5. Press 6 or scroll down to #6 and press ENT, (The selection is indicated by a flashing arrow next to the number.
6. Enter the password. (Factory default is 1111)
7. Press 1 or press ENT. (1 should be the highlighted selection)
8. The display shows the current program number. Press 6 to change to program 6. Press ENT.
9. Press 1 to accept the change.
10. Press ENT to accept the changer

PROGRAM #6							
For One Sprinkler System							
Viking Sprinkler System Types	Release Zone and Manual Release Zone	1. FIRECYCLE III Single Interlocked Preaction Multicycle System					
		2. FIRECYCLE III Single Interlocked Preaction Multicycle System - NYC Special					
OUTPUTS (Indicating Circuits)	ZONES (Initiating Circuits)						
	#1	#2	#3	#	#5	#6	#7
	Low Air Supervisory Zone	Valve Tamper Supervisory Zone	FIRECYCLE Detector Zone	Low Air Alarm Zone	Waterflow Zone	Manual Release Zone	Unused
#1 General Alarm			X		X	X	
#2 Supervisory Bell	X	X		X			
#3 Release Solenoid			X			X	
#4 N/O Solenoid			X	X	X		
OPERATION DESCRIPTION							
Inputs:	FIRECYCLE Detector zone, Low Air Alarm zone, 1 Waterflow zone, Manual Release zone, 2 Supervisory zones						
Outputs:	1 General Alarm, 1 Supervisory Alarm, 1 Release Solenoid, and 1 N/O Solenoid						
Operation:	Activation of FIRECYCLE Detector zone #3 will activate output #1 (General Alarm), output #3 (Release Solenoid), and output #4 (N/O Solenoid)						
	Activation of Low Air Alarm zone #4 will activate output #2 (Supervisory Bell) and output #4 (N/O Solenoid)						
	Activation of Waterflow zone #5 will activate output #1 (General Alarm) and output #4 (N/O Solenoid)						
	Activation of Manual Release zone #6 will activate output #1 (General Alarm) and output #3 (Release Solenoid)						
	Deactivation of FIRECYCLE Detector zone #3 will start soak timer, when timer cycle is complete output #3 (Release Solenoid) is deactivated						
	Activation of Low Air Supervisory Zone #1 or Valve Tamper Supervisory zone #2 will activate output #2 (Supervisory Bell)						

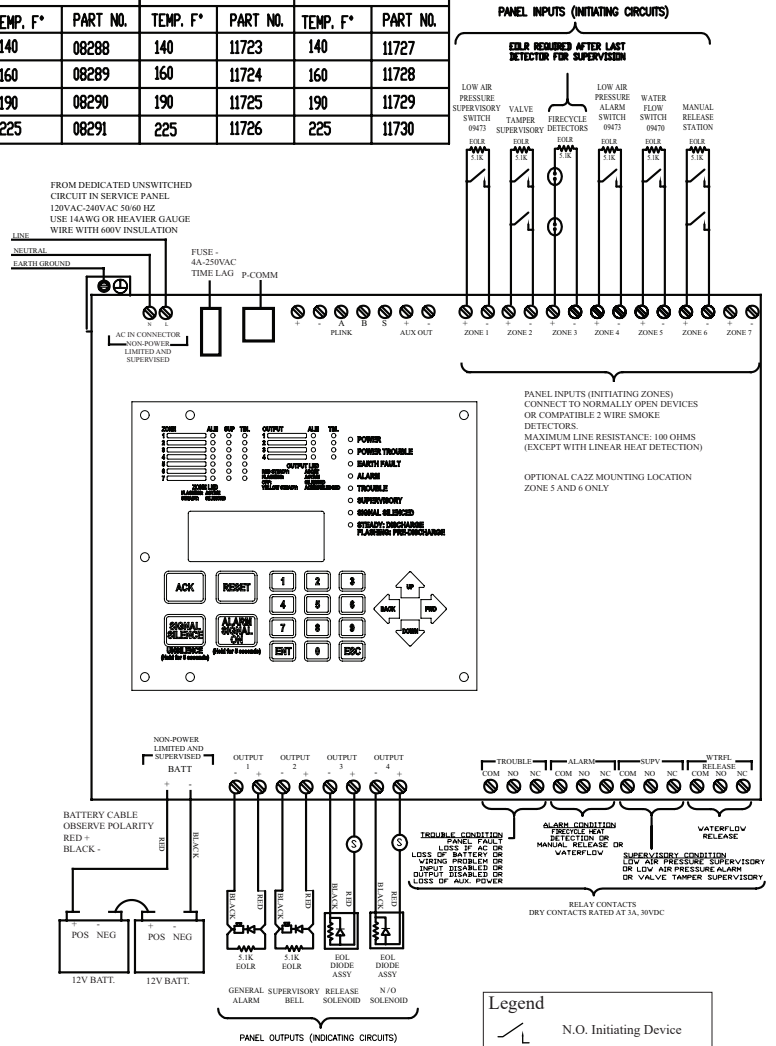
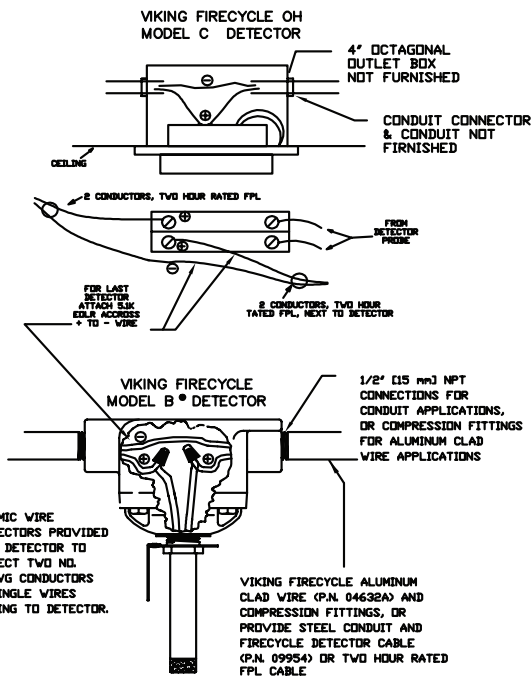
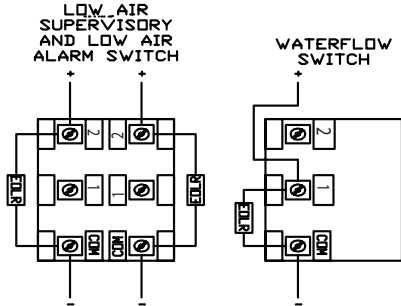
NOTES:

1. Connect EOL Diode assembly IN SERIES as shown with Solenoid on output #3 (Release Solenoid) and output #4 (N/O Solenoid). Black wire to negative terminal on panel and Red wire through Solenoid to positive terminal on panel.
2. Polarity is shown on indicating circuits in an activated (in alarm) condition.
3. Install EOLR (provided) on all unused circuits.
4. See the instruction manual for circuit information, panel limits, and battery sizing.
5. For wire routing instructions through the releasing panel, see Fig 1 on page 2-7 of the instruction manual.
6. See instruction manual for proper programming.
7. See specific system type data page for proper pressure switch settings.
8. Connect EOL resistor after last FIRECYCLE detector on return line to common terminal in FIRECYCLE Detector zone #1.
9. Set the soak timer to desired duration period. Factory setting is continuous. Recommend 60 seconds minimum.
10. Loss of DC power below 20 volt causes output #3 (Release Solenoid) and output #4 (N/O Solenoid) to drop out.
11. Use only Viking FIRECYCLE detectors on FIRECYCLE Detector zone #1.
12. Refer to Viking technical data sheet F_051304 for Firecycle single interlock multi-cycle operation.
13. For UL864 Approved Programming Options, see page 6-102.

PROGRAM #7

WATER SUPPLY (psig)	RECOMMENDED AIR PRESSURE SETTINGS	
	LOW AIR ALARM ZONE #2 (psig)	LOW AIR SUPERVISORY SUP ZONE #1 (psig)
0 - 175	30	30
175 - 250	50	50

EXTRA HAZARD APPLICATIONS				ORDINARY & LIGHT HAZARD APP.			
FIRECYCLE DETECTORS MODEL B				FIRECYCLE OH DETECTORS MODEL C			
WITH 04632A CABLE		WITH FPL WIRE IN CONDUIT		FLUSH MOUNTED		SURFACE MOUNTED	
TEMP. F°	PART NO.	TEMP. F°	PART NO.	TEMP. F°	PART NO.	TEMP. F°	PART NO.
140	04711A	140	08288	140	11723	140	11727
160	04717A	160	08289	160	11724	160	11728
190	04718A	190	08290	190	11725	190	11729
225	04719A	225	08291	225	11726	225	11730



NOTES:

1. Run field wiring and ensure connections are proper by metering wires. Resistance reading should be 5.1K ohms with end-offline resistor (EOLR) at last device. The end-of-line resistor are supplied with the panel. Install EOLR on all unused circuits.
2. Connect one circuit at a time and apply AC power.
3. Connect batteries to the panel
4. Press ENT to enter PROGRAM mode
5. Press 6 or scroll down to #6 and press ENT, (The selection is indicated by a flashing arrow next to the number.
6. Enter the password. (Factory default is 1111)
7. Press 1 or press ENT. (1 should be the highlighted selection)
8. The display shows the current program number. Press 7 to change to program 7. Press ENT.
9. Press 1 to accept the change.
10. Press ENT to accept the change

PROGRAM #7								
For One Sprinkler System								
Viking Sprinkler System Types	Release Zone and Manual Release Zone	1. FIRECYCLE III Double Interlocked Preaction Multicycle System						
		2. FIRECYCLE III Double Interlocked Preaction Multicycle System - NYC Special						
OUTPUTS (Indicating Circuits)	ZONES (Initiating Circuits)							Software Zone
	#1	#2	#3	#4	#5	#6	#7	#8
	Low Air Supervisory Zone	Valve Tamper Supervisory Zone	FIRECYCLE Detection Zone	Low Air Alarm Zone	Waterflow Zone	Manual Release Zone	Unused	Release Type Zone
#1 General Alarm			X		X	X		X
#2 Supervisory Bell	X	X		X				
#3 Release Solenoid			X X	X X		X		XX*
#4 N/O Solenoid				X	X			
OPERATION DESCRIPTION								
Inputs:	1 FIRECYCLE Detector zone, 1 Low Air Alarm zone, 1 Waterflow zone, 1 Manual Release zone, 2 Supervisory zones							
Outputs:	1 General Alarm, 1 Supervisory Bell, 1 Release Solenoid, and 1 N/O Solenoid							
Operation:	Simultaneous activation of both the FIRECYCLE Detector zone #3 and the Low Air alarm zone #4 will activate output #1 (General Alarm), output #2 (Supervisory Bell), output #3 (Release Solenoid), and output #4 (N/O Solenoid).							
	Activation of FIRECYCLE Detector zone #3 will activate output #1 (General Alarm)							
	Activation of Low Air Alarm zone #4 alone will activate output #2 (Supervisory Bell) and output #4 (N/O Solenoid)							
	Activation of Waterflow zone #5 will activate output #1 (General Alarm) and output #4 (N/O solenoid)							
	Activation of Manual Release zone #6 will activate output #1 (General Alarm) and output #3 (Release Solenoid)							
	Deactivation of FIRECYCLE Detector zone #3 will start soak timer, when timer cycle is complete the output #3 (Release Solenoid) is deactivated.							
	Activation of Low Air Supervisory zone #1 or Valve Tamper Supervisory zone #2 will activate output #2 (Supervisory Bell)							

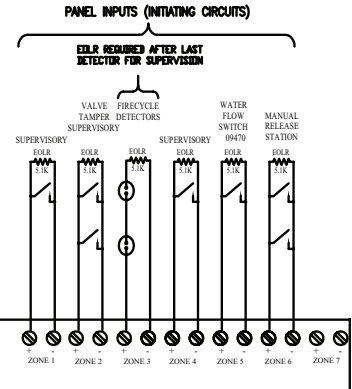
* Release Outputs which are Cross-Zoned need a Software Zone in order to work properly. The Software Zone Number will be displayed upon a release.

NOTES:

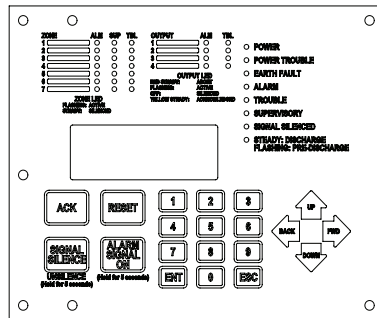
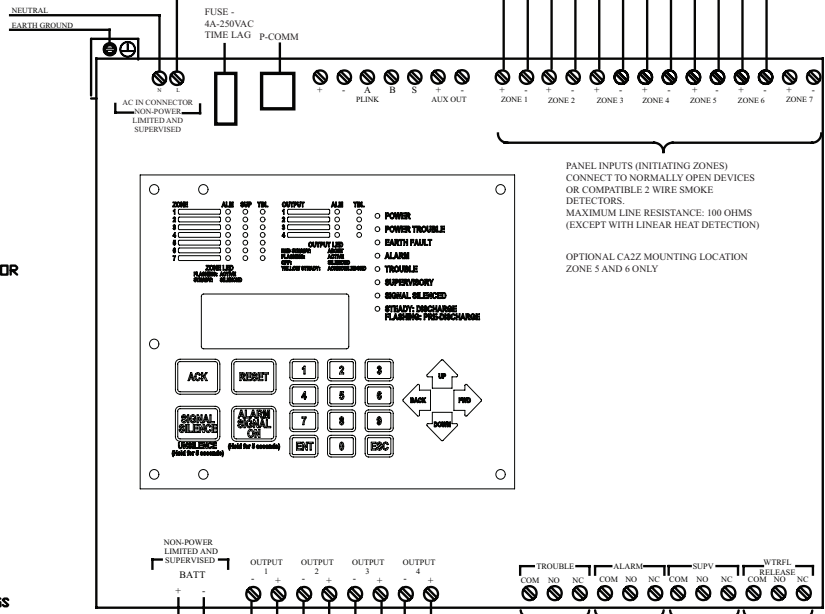
1. Connect EOL Diode assembly IN SERIES as shown with Solenoid on output #3 (Release Solenoid) and output #4 (N/O Solenoid). Black wire to negative terminal on panel and Red wire through Solenoid to positive terminal on panel.
2. Polarity is shown on indicating circuits in an activated (in alarm) condition.
3. Install EOLR (provided) on all unused circuits.
4. See the instruction manual for circuit information, panel limits, and battery sizing.
5. For wire routing instructions through the releasing panel, see Fig 1 on page 2-7 of the instruction manual.
6. See instruction manual for proper programming.
7. See specific system type data page for proper pressure switch settings.
8. Connect EOL resistor after last FIRECYCLE detector on return line to common terminal in FIRECYCLE Detector zone #1.
9. Set the soak timer to desired duration period. Factory setting is continuous. Recommend 60 seconds minimum.
10. Loss of DC power below 20 volt causes output #3 (Release Solenoid) to drop out.
11. Use only Viking FIRECYCLE detectors on FIRECYCLE Detector zone #1.
12. Refer to Viking technical data sheet F_051304 for Firecycle double interlock multi-cycle operation.
13. For UL864 Approved Programming Options, see page 6-102.

PROGRAM #8

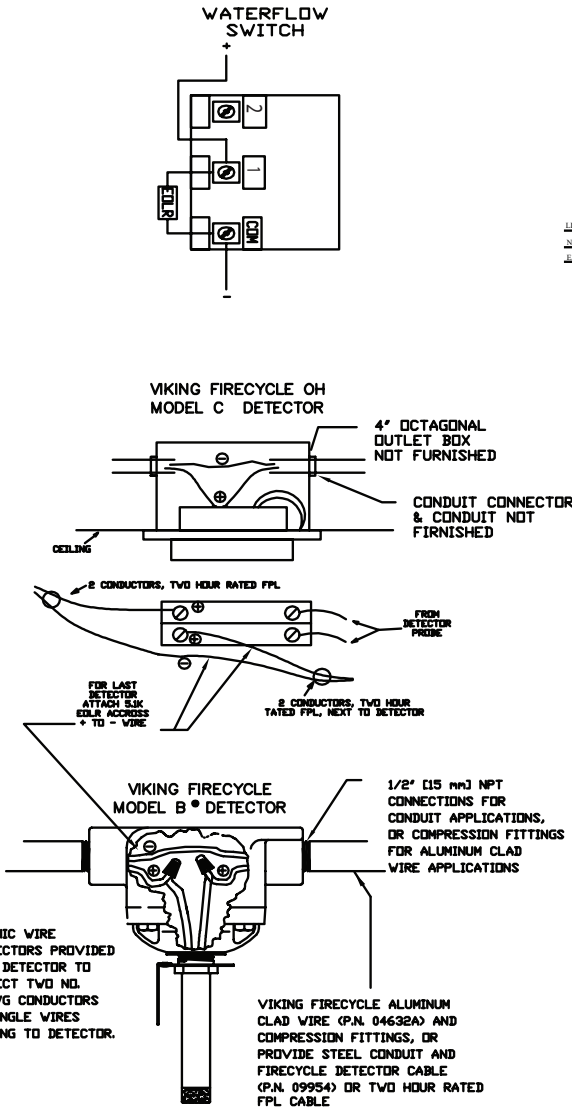
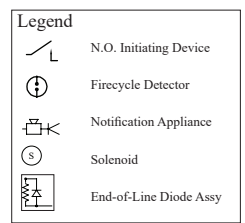
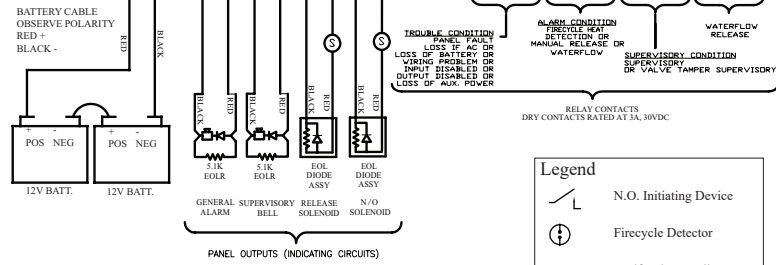
EXTRA HAZARD APPLICATIONS				ORDINARY & LIGHT HAZARD APP.			
FIRECYCLE DETECTORS MODEL B				FIRECYCLE OH DETECTORS MODEL C			
WITH 04632A CABLE		WITH FPL WIRE IN CONDUIT		FLUSH MOUNTED		SURFACE MOUNTED	
TEMP. F°	PART NO.	TEMP. F°	PART NO.	TEMP. F°	PART NO.	TEMP. F°	PART NO.
140	04711A	140	08288	140	11723	140	11727
160	04717A	160	08289	160	11724	160	11728
190	04718A	190	08290	190	11725	190	11729
225	04719A	225	08291	225	11726	225	11730



FROM DEDICATED UNSWITCHED CIRCUIT IN SERVICE PANEL
120VAC-240VAC 50-60 HZ
USE 14AWG OR HEAVIER GAUGE WIRE WITH 60V INSULATION



PANEL INPUTS (INITIATING ZONES)
CONNECT TO NORMALLY OPEN DEVICES OR COMPATIBLE 2 WIRE SMOKE DETECTORS
MAXIMUM LINE RESISTANCE: 100 OHMS (EXCEPT WITH LINEAR HEAT DETECTION)
OPTIONAL CAZZ MOUNTING LOCATION ZONE 5 AND 6 ONLY



NOTES:

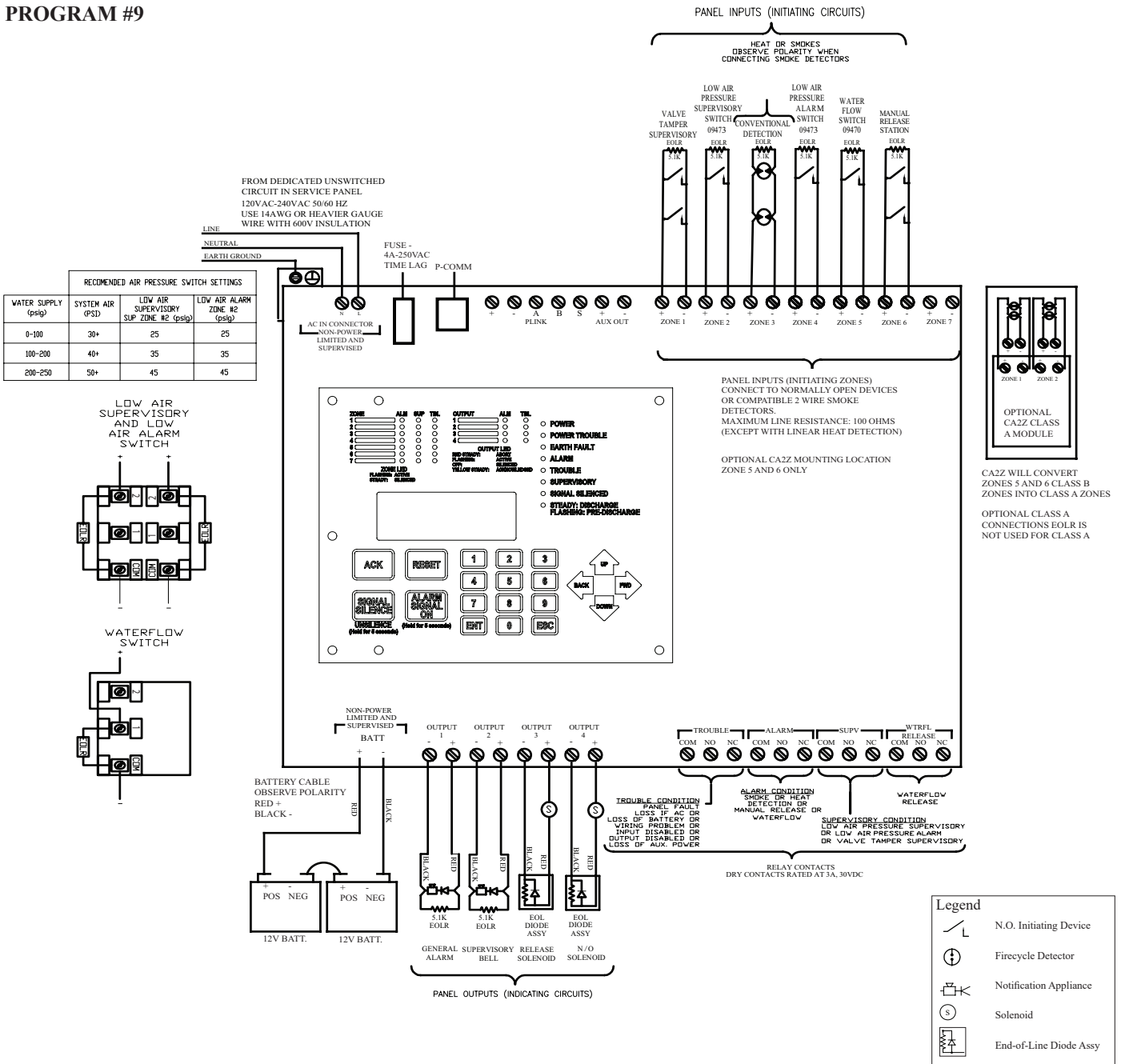
1. Run field wiring and ensure connections are proper by metering wires. Resistance reading should be 5.1K ohms with end-offline resistor (EOLR) at last device. The end-of-line resistor are supplied with the panel. Install EOLR on all unused circuits.
2. Connect one circuit at a time and apply AC power.
3. Connect batteries to the panel
4. Press ENT to enter PROGRAM mode
5. Press 6 or scroll down to #6 and press ENT, (The selection is indicated by a flashing arrow next to the number.
6. Enter the password. (Factory default is 1111)
7. Press 1 or press ENT. (1 should be the highlighted selection)
8. The display shows the current program number. Press 8 to change to program 8. Press ENT.
9. Press 1 to accept the change.
10. Press ENT to accept the change

PROGRAM #8							
For One Sprinkler System							
Viking Sprinkler System Types	1 Release Zone and Manual Release	1. FIRECYCLE III Deluge Multicycle System					
OUTPUTS (Indicating Circuits)	ZONES (Initiating Circuits)						
	#1	#2	#3	#4	#5	#6	#7
	Supervisory Zone	Valve Tamper Supervisory Zone	FIRECYCLE Detector Zone	Supervisory Zone	Waterflow Zone	Manual Release Zone	Unused
#1 General Alarm			X		X	X	
#2 Supervisory Bell	X	X		X			
#3 Release Solenoid			X			X	
#4 N/O Solenoid			X		X		
OPERATION DESCRIPTION							
Inputs:	1 FIRECYCLE Detection zone, 1 Supervisory zone, 1 Waterflow zone, 1 Manual Release zone, 2 Supervisory zones						
Outputs:	1 General Alarm, 1 Supervisory Bell, 1 Release Solenoid, and 1 N/O Solenoid						
Operation:	Activation of FIRECYCLE Detector zone #3 will activate output #1 (General Alarm), output #3 (Release Solenoid) and output #4 (N/O Solenoid)						
	Activation of Supervisory zone #4 will activate output #2 (Supervisory Bell)						
	Activation of Waterflow Alarm zone #5 will activate output #1 (General Alarm) and output #4 (N/O Solenoid)						
	Activation of Manual Release zone #6 will activate output #1 (General Alarm) and output #3 (Release Solenoid)						
	Deactivation of FIRECYCLE Detector zone #3 will start soak timer, when timer cycle is complete the output #3 (Release Solenoid) is deactivated.						
	Activation of Supervisory zone #1 or Valve Tamper Supervisory Zone #2 will activate output #2 (Supervisory Bell)						

NOTES:

1. Connect EOL Diode assembly IN SERIES as shown with Solenoid on output #3 (Release Solenoid) and output #4 (N/O Solenoid). Black wire to negative terminal on panel and Red wire through Solenoid to positive terminal on panel.
2. Polarity is shown on indicating circuits in an activated (in alarm) condition.
3. Install EOLR (provided) on all unused circuits.
4. See the instruction manual for circuit information, panel limits, and battery sizing.
5. For wire routing instructions through the releasing panel, see Fig 1 on page 2-7 of the instruction manual.
6. See instruction manual for proper programming.
7. See specific system type data page for proper pressure switch settings.
8. Connect EOL resistor after last FIRECYCLE detector on return line to common terminal in FIRECYCLE Detector zone #1.
9. Set the soak timer to desired duration period. Factory setting is continuous. Recommend 60 seconds minimum.
10. Loss of DC power below 20 volt causes output #3 (Release Solenoid) and output #4 (N/O Solenoid) to drop out.
11. Use only Viking FIRECYCLE detectors on FIRECYCLE Detector zone #1.
12. Refer to Viking technical data sheet F_051404 for Firecycle deluge multi-cycle operation.
13. For UL864 Approved Programming Options, see page 6-102.

PROGRAM #9



NOTES:

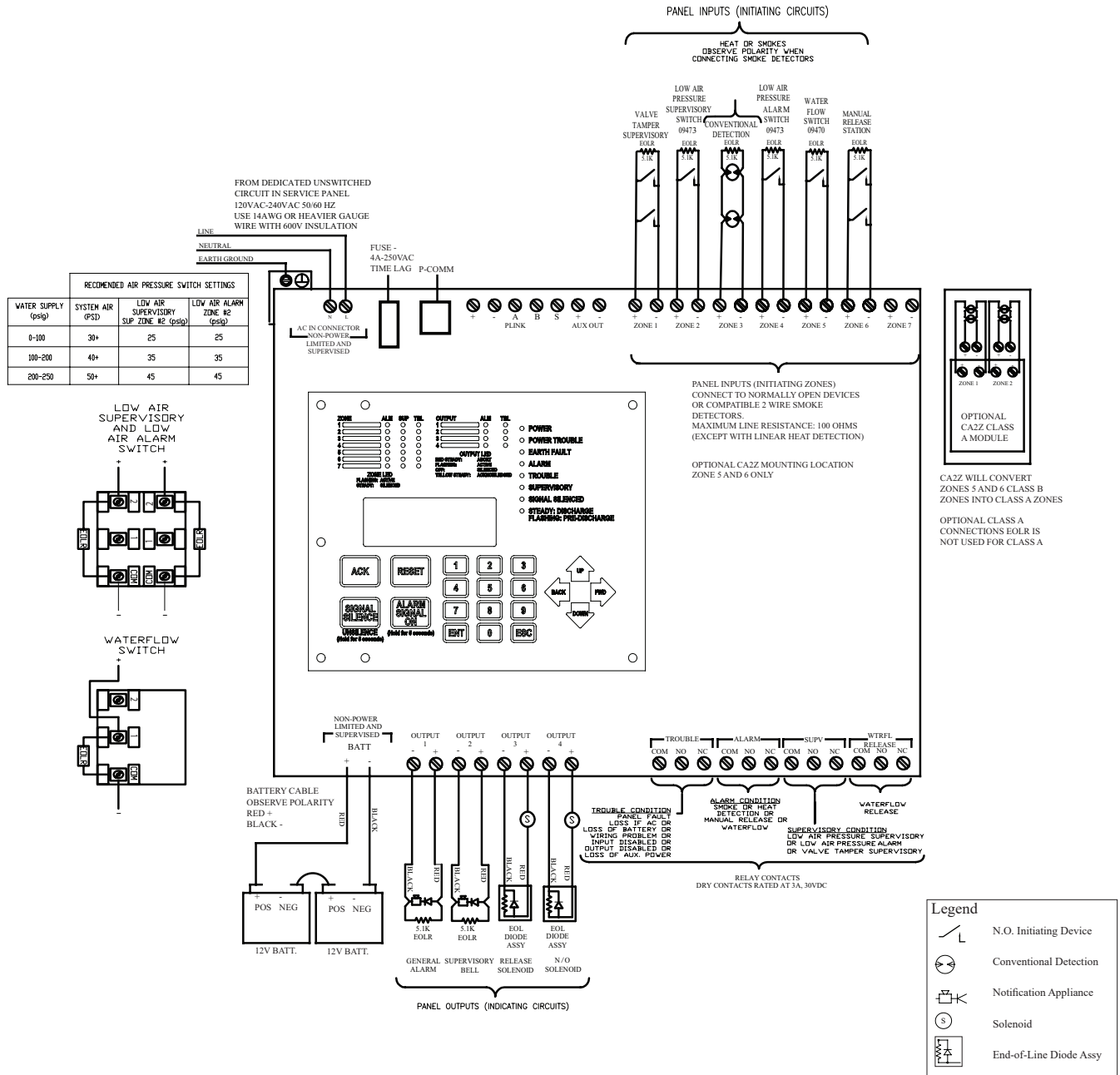
1. Run field wiring and ensure connections are proper by metering wires. Resistance reading should be 5.1K ohms with end-offline resistor. The end-of-line resistor are supplied with the panel. Install EOLR on all unused circuits.
2. Connect one circuit at a time and apply AC power.
3. Connect batteries to the panel
4. Press ENT to enter PROGRAM mode
5. Press 6 or scroll down to #6 and press ENT, (The selection is indicated by a flashing arrow next to the number.
6. Enter the password. (Factory default is 1111)
7. Press 1 or press ENT. (1 should be the highlighted selection)
8. The display shows the current program number. Press 9 to change to program 9. Press ENT.
9. Press 1 to accept the change.
10. Press ENT to accept the change

PROGRAM #9							
For One Sprinkler System							
Viking Sprinkler System Types	1 Release Zone and Manual Release Zone	1. FIRECYCLE III Wet Multicycle System					
OUTPUTS (Indicating Circuits)	ZONES (Initiating Circuits)						
	#1	#2	#3	#4	#5	#6	#7
	Supervisory Zone	Valve Tamper Supervisory Zone	FIRECYCLE Detector Zone	Supervisory Zone	Waterflow Zone	Manual Release Zone	Unused
#1 General Alarm			X		X	X	
#2 Supervisory Bell	X	X		X			
#3 Release Solenoid			X			X	
#4 N/O Solenoid			X		X		
OPERATION DESCRIPTION							
Inputs:	1 FIRECYCLE Detection zone, 1 Supervisory zone, 1 Waterflow zone, 1 Manual Release zone, 2 Supervisory zones						
Outputs:							
Operation:	Activation of FIRECYCLE Detector zone #3 will activate output #1 (General Alarm), output #3 (Release Solenoid) and output #4 (N/O Solenoid)						
	Activation of Supervisory zone #4 will activate output #2 (Supervisory Bell)						
	Activation of Waterflow Alarm zone #5 will activate output #1 (General Alarm) and output #4 (N/O Solenoid)						
	Activation of Manual Release zone #6 will activate output #1 (General Alarm) and output #3 (Release Solenoid)						
	Deactivation of FIRECYCLE Detector zone #3 will start soak timer, when timer cycle is complete the output #3 (Release Solenoid) is deactivated.						
	Activation of Supervisory zone #1 or Valve Tamper Supervisory zone #2 will activate output #2 (Supervisory Bell)						

NOTES:

1. Connect EOL Diode assembly IN SERIES as shown with Solenoid on output #3 (Release Solenoid) and output #4 (N/O Solenoid). Black wire to negative terminal on panel and Red wire through Solenoid to positive terminal on panel.
2. Polarity is shown on indicating circuits in an activated (in alarm) condition.
3. Install EOLR (provided) on all unused circuits.
4. See the instruction manual for circuit information, panel limits, and battery sizing.
5. For wire routing instructions through the releasing panel, see Fig 1 on page 2-7 of the instruction manual.
6. See instruction manual for proper programming.
7. See specific system type data page for proper pressure switch settings.
8. Connect EOL resistor after last FIRECYCLE detector on return line to common terminal in FIRECYCLE Detector zone #1.
9. Set the soak timer to desired duration period. Factory setting is continuous. Recommend 60 seconds minimum.
10. Loss of DC power below 20 volt causes output #3 (Release Solenoid) and output #4 (N/O Solenoid) to drop out.
11. Use only Viking FIRECYCLE detectors on FIRECYCLE Detector zone #1.
12. Refer to Viking technical data sheet F_051504 for Firecycle multi-cycle wet system operation.
13. For UL864 Approved Programming Options, see page 6-102.

PROGRAM #10



NOTES:

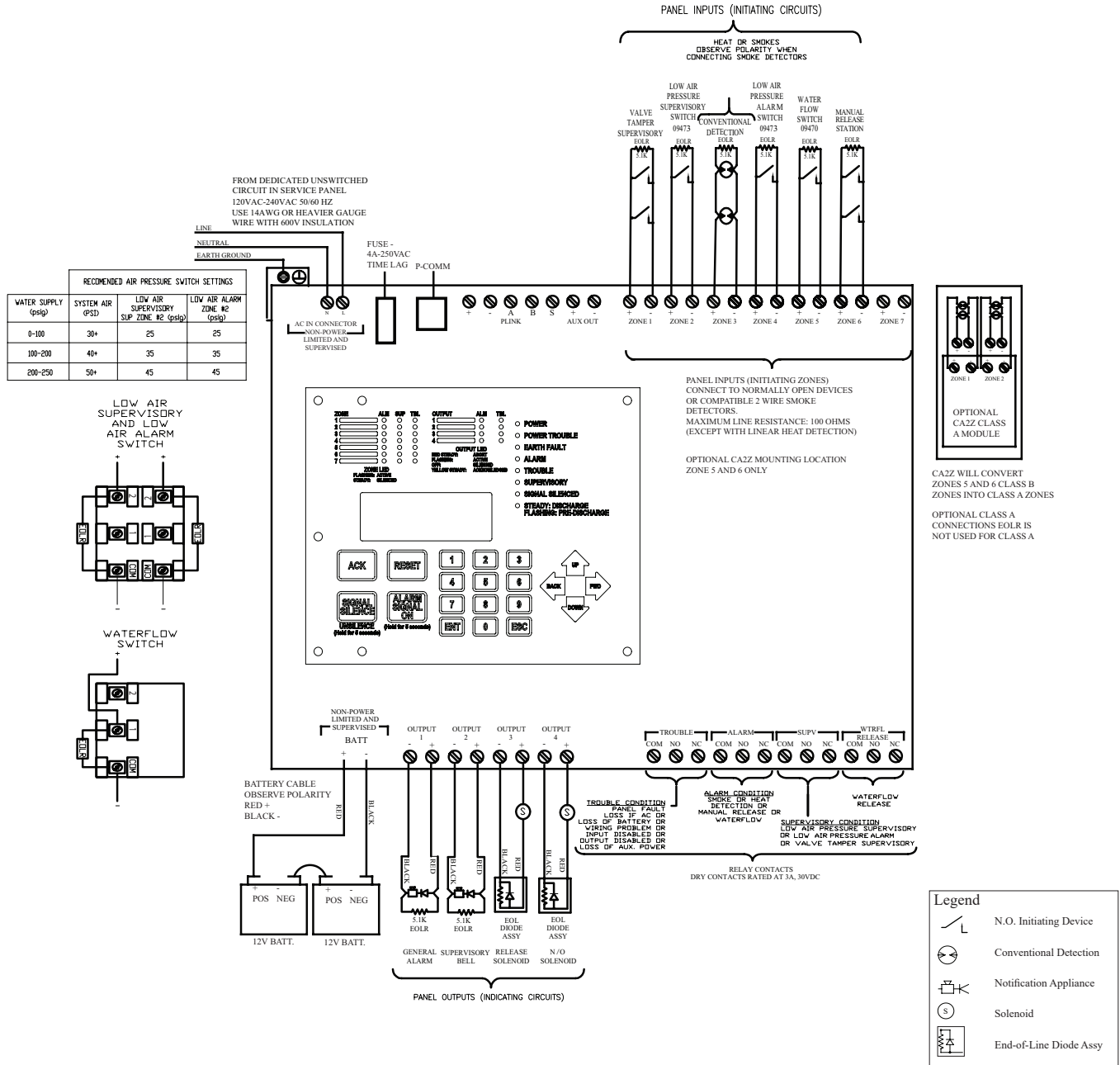
1. Run field wiring and ensure connections are proper by metering wires. Resistance reading should be 5.1K ohms with end-offline resistor (EOLR) at last device. The end-of-line resistor are supplied with the panel. Install EOLR on all unused circuits.
2. Connect one circuit at a time and apply AC power.
3. Connect batteries to the panel
4. Press ENT to enter PROGRAM mode
5. Press 6 or scroll down to #6 and press ENT, (The selection is indicated by a flashing arrow next to the number.
6. Enter the password. (Factory default is 1111)
7. Press 1 or press ENT. (1 should be the highlighted selection)
8. The display shows the current program number. Press 10 to change to program 10. Press ENT.
9. Press 1 to accept the change.
10. Press ENT to accept the change

PROGRAM #10							
For One Sprinkler System- SUREFIRE Single Interlock							
Viking Sprinkler System Types	Release Zone and Manual Release Zone	1. SUREFIRE Single Interlocked Preaction System					
		2. SUREFIRE Single Interlocked Preaction System - NYC Special					
		3. SUREFIRE Single Interlocked Preprimed Preaction System					
		4. SUREFIRE Single Interlocked Preprimed Preaction System - NYC Special					
OUTPUTS (Indicating Circuits)	ZONES (Initiating Circuits)						
	#1	#2	#3	#4	#5	#6	#7
	Valve Tamper Supervisory Zone	Low Air Supervisory Zone	Conventional Detection Zone	Low Air Alarm Zone	Waterflow Zone	Manual Release Zone	Unused
#1 General Alarm			X		X	X	
#2 Supervisory Bell	X	X		X			
#3 Release Solenoid			X			X	
#4 N/O Solenoid				X			
OPERATION DESCRIPTION							
Inputs:	1 Conventional Detection zone, 1 Waterflow zone, 1 Low Air Alarm zone, 1 Manual Release zone, 2 Supervisory zones						
Outputs:	1 General Alarm, 1 N/O Solenoid, 1 Release Solenoid, 1 Supervisory Bell						
Operation:	Activation of Conventional Detection zone #3 will activate output #3 (Release Solenoid) and output #1 (General Alarm)						
	Activation of Low Air Alarm zone #4 will activate output #2 (Supervisory Bell) and output #4 (N/O Solenoid)						
	Activation of Waterflow zone #5 will activate output #1 (General Alarm)						
	Activation of Manual Release zone #6 will activate output #3 (Release Solenoid) and output #1 (General Alarm)						
	Activation of Valve Tamper Supervisory zone #1 or Low Air Supervisory zone #2 will activate output #2 (Supervisory Bell)						
A trouble condition will prevent output #4 (N/O Solenoid) from activating							

NOTES:

1. Connect EOL Diode assembly IN SERIES as shown with Solenoid on output #3 (Release Solenoid) and output #4 (Release Solenoid). Black wire to negative terminal on panel and Red wire through Solenoid to positive terminal on panel.
2. Polarity is shown on indicating circuits in an activated (in alarm) condition.
3. Install EOLR (provided) on all unused circuits.
4. See the instruction manual for circuit information, panel limits, and battery sizing.
5. For wire routing instructions through the releasing panel, see Fig 1 on page 2-7 of the instruction manual.
6. See instruction manual for proper programming.
7. See instruction manual for list of compatible smoke detectors.
8. See specific system type data page for proper pressure switch settings.
9. Loss of DC power below 20 volt causes output #3 (Release Solenoid) and output #4 (N/O Solenoid) to drop out.
10. See Viking technical data sheet F_051604 for Surefire single interlock operation.

PROGRAM #11



NOTES:

1. Run field wiring and ensure connections are proper by metering wires. Resistance reading should be 5.1K ohms with end-offline resistor (EOLR) at last device. The end-of-line resistor are supplied with the panel. Install EOLR on all unused circuits.
2. Connect one circuit at a time and apply AC power.
3. Connect batteries to the panel
4. Press ENT to enter PROGRAM mode
5. Press 6 or scroll down to #6 and press ENT, (The selection is indicated by a flashing arrow next to the number.
6. Enter the password. (Factory default is 1111)
7. Press 1 or press ENT. (1 should be the highlighted selection)
8. The display shows the current program number. Press 11 to change to program 11. Press ENT.
9. Press 1 to accept the change.
10. Press ENT to accept the changer

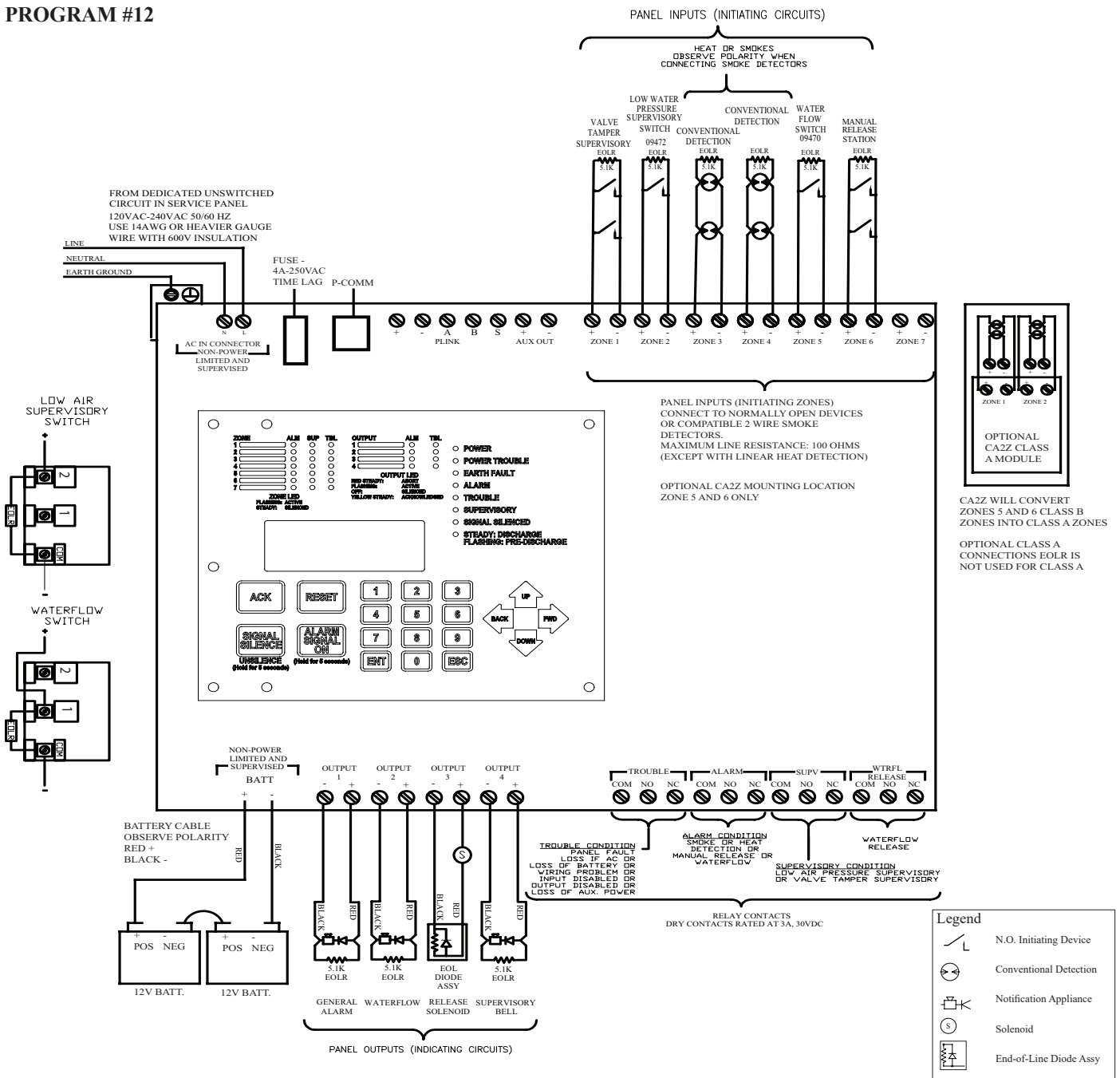
PROGRAM #11								
For One Sprinkler System								
Viking Sprinkler System Types	2 Cross Release Zones and Manual Release Zone	1. SUREFIRE Double Interlocked Preaction System						
		2. SUREFIRE Double Interlocked Preaction System - NYC Special						
		3. SUREFIRE Double Interlocked Preprimed Preaction System						
		4. SUREFIRE Double Interlocked Preprimed Preaction System - NYC Special						
OUTPUTS (Indicating Circuits)	ZONES (Initiating Circuits)							Software Zone
	#1	#2	#3	#4	#5	#6	#7	#8
	Valve Tamper Supervisory Zone	Low Air Supervisory Zone	Conventional Detection Zone	Low Air Alarm Zone	Waterflow Zone	Manual Release Zone	Unused	Release Type Zone
#1 General Alarm			X		X	X		X
#2 Supervisory Bell	X	X		X				
#3 Release Solenoid			X X	X X		X		XX*
#4 N/O Solenoid				X	X			
OPERATION DESCRIPTION								
Inputs:	1 Conventional Detection zone, 1 Low Air Alarm zone, 1 Waterflow zone, 1 Manual Release zone, 2 Supervisory zones							
Outputs:	1 General Alarm, 1 Supervisory Bell, 1 Release Solenoid, 1 N/O Solenoid							
Operation:	Simultaneous activation of both the Conventional Detection zone #3 and the Low Air Alarm zone #4 will activate output #3 (Release Solenoid), output #1 (General Alarm), output #4 (N/O Solenoid) , and output #2 (Supervisory Bell)							
	Activation of Conventional Detection zone #3 will activate output #1 (General Alarm)							
	Activation of Low Air Alarm zone #4 will activate output #2 (Supervisory Bell) and output #4 (N/O Solenoid)							
	Activation of Waterflow zone #6 will activate output #1 (General Alarm)							
	Activation of Valve Tamper Supervisory zone #1 or Low Air Supervisory zone #2 will activate output#2 (Supervisory Bell)							
	Activation of Manual Release zone #4 will activate output #3 (Release Solenoid) and output #1 (General Alarm)							
	A trouble condition will prevent output #4 (N/O Solenoid) from activating							

* Release Outputs which are Cross-Zoned need a Software Zone in order to work properly. The Software Zone Number will be displayed upon a release.

NOTES:

1. Connect EOL Diode assembly IN SERIES as shown with Solenoid on output #3 (Release Solenoid) and output #4 (Release Solenoid). Black wire to negative terminal on panel and Red wire through Solenoid to positive terminal on panel.
2. Polarity is shown on indicating circuits in an activated (in alarm) condition.
3. Install EOLR (provided) on all unused circuits.
4. See the instruction manual for circuit information, panel limits, and battery sizing.
5. For wire routing instructions through the releasing panel, see Fig 1 on page 2-7 of the instruction manual.
6. See instruction manual for proper programming.
7. See instruction manual for list of compatible smoke detectors.
8. See specific system type data page for proper pressure switch settings.
9. Loss of DC power below 20 volt causes output #3 (Release Solenoid) and output #4 (N/O Solenoid) to drop out.
10. See Viking technical data sheet F_051704 for Surefire double interlock operation.

PROGRAM #12



NOTES:

1. Run field wiring and ensure connections are proper by metering wires. Resistance reading should be 5.1K ohms with end-offline resistor (EOLR) at last device. The end-of-line resistor are supplied with the panel. Install EOLR on all unused circuits.
2. Connect one circuit at a time and apply AC power.
3. Connect batteries to the panel
4. Press ENT to enter PROGRAM mode
5. Press 6 or scroll down to #6 and press ENT, (The selection is indicated by a flashing arrow next to the number.
6. Enter the password. (Factory default is 1111)
7. Press 1 or press ENT. (1 should be the highlighted selection)
8. The display shows the current program number. Press 12 to change to program 12. Press ENT.
9. Press 1 to accept the change.
10. Press ENT to accept the change

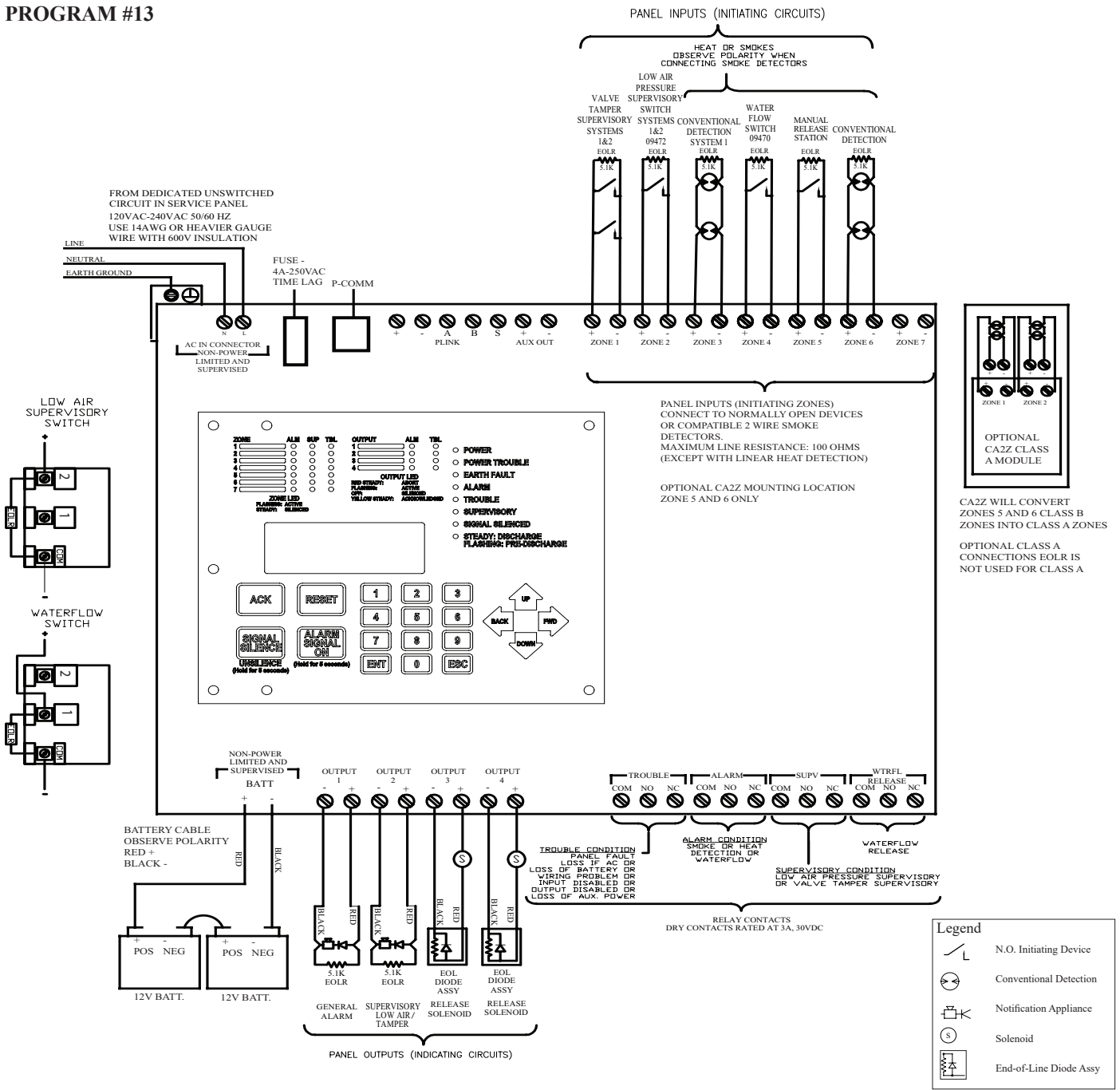
PROGRAM #12								
For One Sprinkler System								
Viking Sprinkler System Types	2 Cross Release Zones, Waterflow Zone, and Manual Release Zone	1. Single Interlocked Preaction System with Electric Release						
		2. Deluge System with Electric Release						
		3. Non-Interlocked Preaction system with Electric Release						
		4. Double Interlocked Preaction System with Electric/Pneu-Lectric Release						
OUTPUTS (Indicating Circuits)	ZONES (Initiating Circuits)							Software Zone
	#1	#2	#3	#4	#5	#6	#7	#
	Valve Tamper Supervisory Zone	Low Air Supervisory Zone	Conventional Detection Zone	Conventional Detection Zone	Waterflow Zone	Manual Release Zone	Unused	Release Type Zone
#1 General Alarm			X	X	X	X		X
#2 Waterflow					X			
#3 Release Solenoid			X X	X X		X		XX*
#4 Supervisory Bell	X	X						
OPERATION DESCRIPTION								
Inputs:	2 Conventional Detection zones, 1 Waterflow zone, 1 Manual Release zone, 2 Supervisory zones							
Outputs:	1 General Alarm, 1 Waterflow, 1 Release Solenoid, 1 Supervisory Bell							
Operation:	Simultaneous activation of both the Conventional Detection zone #3 and the Conventional Detector zone #4 will activate output #3 (Release Solenoid) and output #1 (General Alarm)							
	Activation of Conventional Detection zone #3 will activate output #1 (General Alarm)							
	Activation of Conventional Detection zone #4 will activate output #1 (General Alarm)							
	Activation of Waterflow zone #5 will activate output #2 (Waterflow) and output #1 (General Alarm)							
	Activation of Manual Release zone #6 will activate output #3 (Release Solenoid) and output #1 (General Alarm)							
	Activation of Valve Tamper Supervisory zone #1 or Low Air Supervisory zone #2 will activate output #4 (Supervisory Bell)							

* Release Outputs which are Cross-Zoned need a Software Zone in order to work properly. The Software Zone Number will be displayed upon a release.

NOTES:

1. Connect EOL Diode assembly IN SERIES as shown with Solenoid on output #3 (Release Solenoid). Black wire to negative terminal on panel and Red wire through Solenoid to positive terminal on panel.
2. Polarity is shown on indicating circuits in an activated (in alarm) condition.
3. Install EOLR (provided) on all unnnused circuits.
4. See the instruction manual for circuit information, panel limits, and battery sizing.
5. For wire routing instructions through the releasing panel, see Fig 1 on page 2-7 of the instruction manual.
6. See instruction manual for proper programming.
7. See instruction manual for list of compatible smoke detectors.
8. See specific system type data page for proper pressure switch settings.

PROGRAM #13



NOTES:

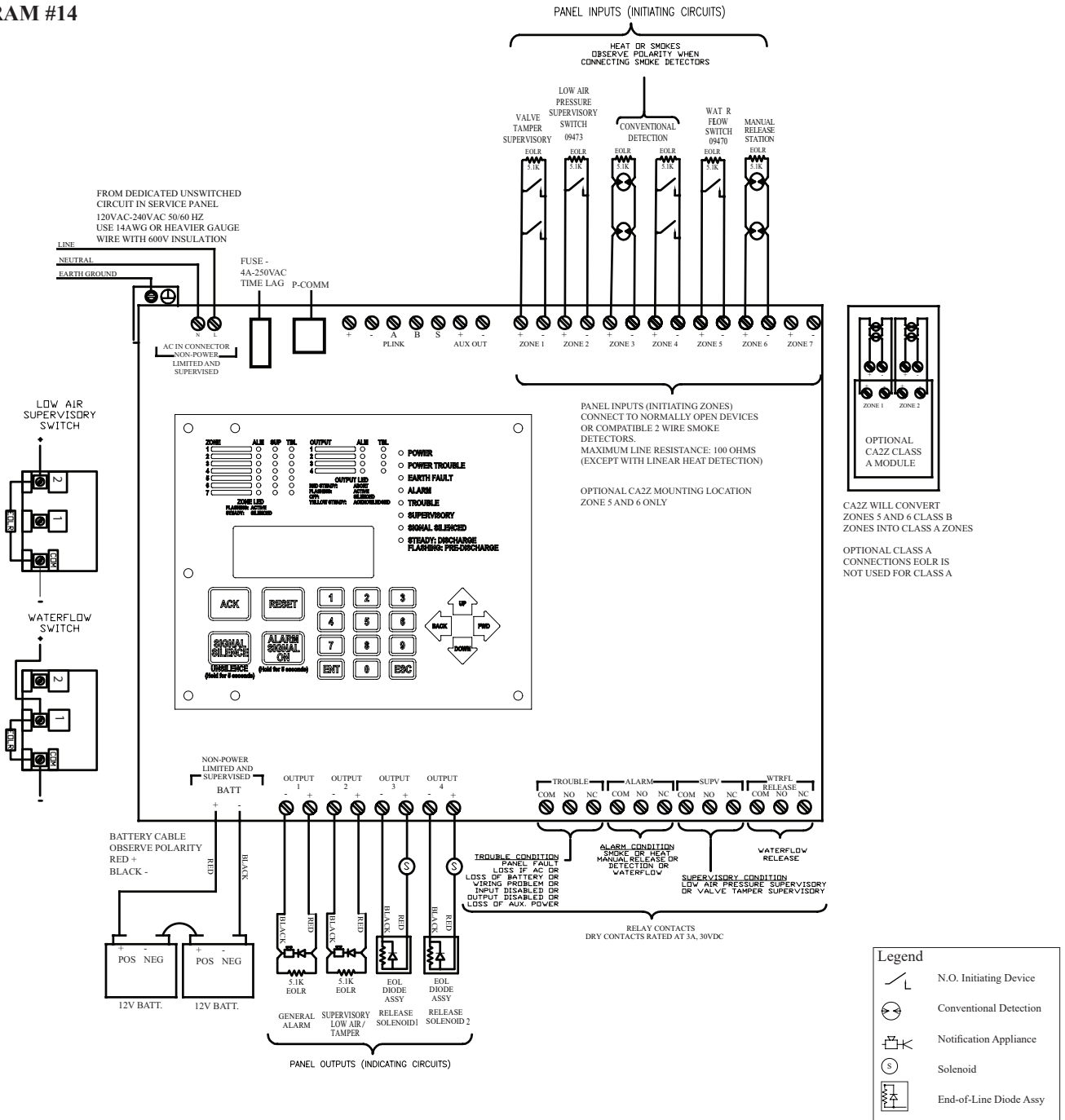
1. Run field wiring and ensure connections are proper by metering wires. Resistance reading should be 5.1K ohms with end-offline resistor (EOLR) at last device. The end-of-line resistor are supplied with the panel. Install EOLR on all unused circuits.
2. Connect one circuit at a time and apply AC power.
3. Connect batteries to the panel
4. Press ENT to enter PROGRAM mode
5. Press 6 or scroll down to #6 and press ENT, (The selection is indicated by a flashing arrow next to the number.)
6. Enter the password. (Factory default is 1111)
7. Press 1 or press ENT. (1 should be the highlighted selection)
8. The display shows the current program number. Press 13 to change to program 13. Press ENT.
9. Press 1 to accept the change.
10. Press ENT to accept the change

PROGRAM #13							
For One Sprinkler System							
Viking Sprinkler System Types (UK only)	2 Release Zones, Waterflow Zone, and Manual Release Zone	E-1 Single-interlocked preaction system with Electric-Pneumatic release					
OUTPUTS (Indicating Circuits)	ZONES (Initiating Circuits)						
	#1	#2	#3	#4	#5	#6	#7
	Valve Tamper Supervisory Zone	Low Air Supervisory Zone	Conventional Detection Zone	Waterflow Zone	Manual Release Zone	Conventional Detection Zone	Unused
#1 General Alarm			X	X	X	X	
#2 Low air/Tamper	X	X					
#3 Release Solenoid #1			X		X	X	
#4 Release Solenoid #2			X		X	X	
OPERATION DESCRIPTION							
Inputs:	2 Conventional Detection zones, 1 Waterflow zone, 1 Manual Release zone, 2 Supervisory zones						
Outputs:	1 General Alarm, 1 Low Air/Tamper, 2 Release Solenoids						
Operation:	Activation of Conventional Detection zone #3 or #6 or manual release zone #5 will activate outputs #3 and #4 (release solenoids) and output #1 (General Alarm)						
	Activation of Waterflow zone #4 will activate output #1 (General Alarm)						
	Activation of Valve Tamper supervisory zone #1 or Low air supervisory zone #2 will activate output #2 (Low Air/Tamper)						

NOTES:

1. Connect EOL Diode assembly IN SERIES as shown with solenoids on outputs #3 and #4. Black wire to negative terminal on panel. Red wire through solenoid to positive terminal on panel.
2. Polarity is shown on indicating circuits in an activated (in alarm) condition.
3. Install EOLR (provided) on all unused circuits.
4. See the instruction manual for circuit information, panel limits, and battery sizing.
5. For wire routing instructions through the releasing panel, see Fig 1 on page 2-7 of the instruction manual.
6. See instruction manual for proper programming.
7. See instruction manual for list of compatible smoke detectors and solenoids.
8. See specific system type data page for proper pressure switch settings.
9. For UL864 Approved Programming Options, see page 6-102.

PROGRAM #14



NOTES:

1. Run field wiring and ensure connections are proper by metering wires. Resistance reading should be 5.1K ohms with end-offline resistor (EOLR) at last device. The end-of-line resistor are supplied with the panel Install EOLR on all unused circuits.
2. Connect one circuit at a time and apply AC power.
3. Connect batteries to the panel
4. Press ENT to enter PROGRAM mode
5. Press 6 or scroll down to #6 and press ENT, (The selection is indicated by a flashing arrow next to the number.
6. Enter the password. (Factory default is 1111)
7. Press 1 or press ENT. (1 should be the highlighted selection)
8. The display shows the current program number. Press 14 to change to program 14. Press ENT.
9. Press 1 to accept the change.
10. Press ENT to accept the change

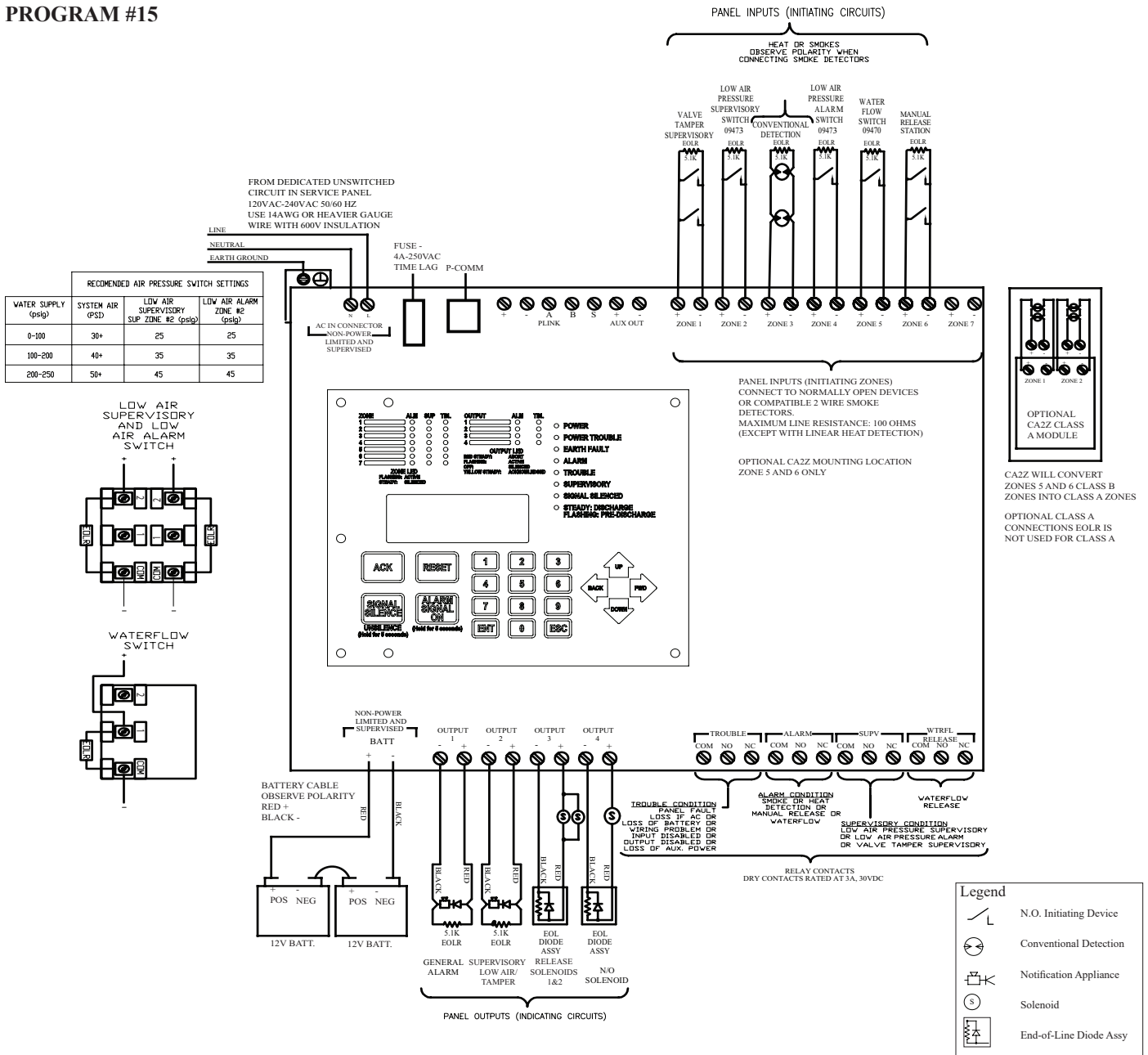
PROGRAM #14								
For One Sprinkler System								
Viking Sprinkler System Types (UK only)	2 Cross Release Zones, Waterflow Zone, and Manual Release Zone	E-1 Single-interlocked preaction system with Electric - Pneumatic release						
OUTPUTS (Indicating Circuits)	ZONES (Initiating Circuits)							Software Zone
	#1	#2	#3	#4	#5	#6	#7	#8
	Valve Tamper Supervisory Zone	Low Air Supervisory Zone	Conventional Detection Zone	Conventional Detection Zone	Waterflow Zone	Manual Release Zone	Unused	Release Type Zone
#1 General Alarm			X	X	X	X		X
#2 Supervisory Bell	X	X						
#3 Release Solenoid #1			XX	XX		X		XX*
#4 Release Solenoid #2			XX	XX		X		XX*
OPERATION DESCRIPTION								
Inputs:	2 Conventional Detection zones, 1 Waterflow zone, 1 Manual Release zone, 6 Supervisory zones							
Outputs:	1 General Alarm, 1 Low Air/Tamper, 2 Release Solenoids							
Operation:	Activation of both Conventional Detection zone #3 and #4 or manual release zone #6 will activate outputs #3 and #4 (release solenoids) and output #1 (General Alarm)							
	Activation of Waterflow zone #3 will activate output #1 (General Alarm)							
	Activation of Valve Tamper supervisory zone #1 or Low air supervisory zone #2 will activate output #2 (Low Air/Tamper)							

* Release Outputs which are Cross-Zoned need a Software Zone in order to work properly. The Software Zone Number will be displayed upon a release.

NOTES:

1. Connect EOL Diode assembly IN SERIES as shown with solenoids on outputs #3 and #4. Black wire to negative terminal on panel. Red wire through solenoid to positive terminal on panel.
2. Polarity is shown on indicating circuits in an activated (in alarm) condition.
3. Install EOLR (provided) on all unused circuits.
4. See the instruction manual for circuit information, panel limits, and battery sizing.
5. For wire routing instructions through the releasing panel, see Fig 1 on page 2-7 of the instruction manual.
6. See instruction manual for proper programming.
7. See instruction manual for list of compatible smoke detectors and solenoids.
8. See specific system type data page for proper pressure switch settings.
9. For UL864 Approved Programming Options, see page 6-102.

PROGRAM #15



NOTES:

1. Run field wiring and ensure connections are proper by metering wires. Resistance reading should be 5.1K ohms with end-offline resistor (EOLR) at last device. The end-of-line resistor are supplied with the panel. Install EOLR on all unused circuits.
2. Connect one circuit at a time and apply AC power.
3. Connect batteries to the panel
4. Press ENT to enter PROGRAM mode
5. Press 6 or scroll down to #6 and press ENT, (The selection is indicated by a flashing arrow next to the number.
6. Enter the password. (Factory default is 1111)
7. Press 1 or press ENT. (1 should be the highlighted selection)
8. The display shows the current program number. Press 15 to change to program 15. Press ENT.
9. Press 1 to accept the change.
10. Press ENT to accept the change

Note: Release solenoids #1 and #2 shall be wired in parallel and connected to output #3. the wiring shall be in conduit or otherwise protected. Any connections shall be made in a junction box. This may not conform to the monitoring for integrity requirements for NFPA 72.

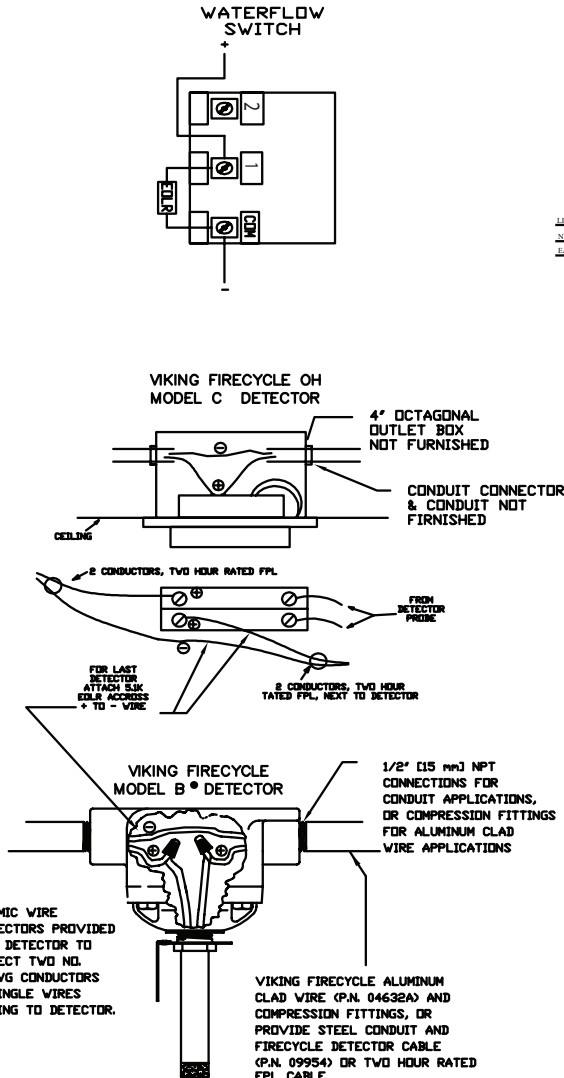
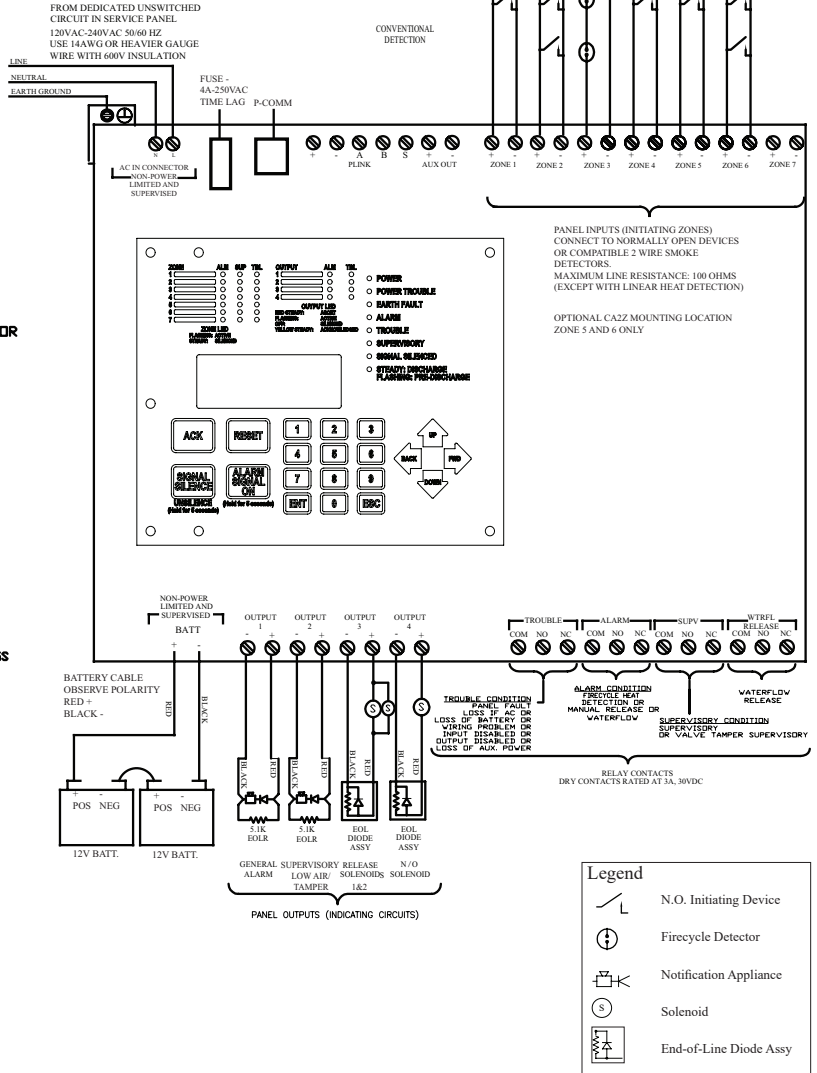
PROGRAM #15							
For One Sprinkler System							
Viking Sprinkler System Types (UK only)	2 Release Zones, Waterflow Zone, and Manual Release Zone	E-1 Single-interlocked Surefire preaction system with Electric-Pneumatic release					
OUTPUTS (Indicating Circuits)	ZONES (Initiating Circuits)						
	#1	#2	#3	#4	#5	#6	#7
	Valve Tamper Supervisory Zone	Low Air Supervisory Zone	Conventional Detection Zone	Low Air Alarm Zone	Waterflow Zone	Manual Release Zone	Unused
#1 General Alarm			X		X	X	
#2 Low air/Tamper	X	X		X			
#3 Release Solenoids #1 & #2			X			X	
#4 N/O Solenoid				X			
OPERATION DESCRIPTION							
Inputs:	1 Conventional Detection zone, 1 Low air alarm zone, 1 Waterflow zone, 1 Manual Release zone, 2 Supervisory zones						
Outputs:	1 General Alarm, 1 Low Air/Tamper, 2 Release Solenoids (single output from panel), 1 N/O solenoid						
Operation:	Activation of Conventional Detection zone #3 or manual release zone #6 will activate output #3 (release solenoids) and output #1 (General Alarm)						
	Activation of Low Air Alarm zone #4 will activate output #2 Low air/tamper and output #4 (N/O solenoid)						
	Activation of Waterflow zone #5 will activate output #1 (General Alarm)						
	Activation of Valve Tamper supervisory zone #1, Low air supervisory zone #2, or Low Air alarm zone #2 will activate output #2 (Low Air/Tamper)						
	A trouble condition will prevent output #4 (N/O) from activating						

NOTES:

1. Connect EOL Diode assembly IN SERIES as shown with solenoids on outputs #3 and #4. Black wire to negative terminal on panel. Red wire through solenoid to positive terminal on panel. Output #3 has 2 solenoids. These must be connected in parallel and the EOL diode is connected in series with the parallel solenoids.
2. Polarity is shown on indicating/release circuits in an activated (in alarm) condition.
3. Install EOLR (provided) on all unused circuits.
4. See the instruction manual for circuit information, panel limits, and battery sizing.
5. For wire routing instructions through the releasing panel, see Fig 1 on page 2-7 of the instruction manual.
6. See instruction manual for proper programming.
7. See instruction manual for list of compatible smoke detectors and solenoids.
8. See specific system type data page for proper pressure switch settings.
9. Loss of power below 20 volts causes output #3 (release solenoids) and output #4 (N/O solenoid) to drop out.
10. See Viking technical data sheet F_051604 for Surefire single interlock operation.
11. For UL864 Approved Programming Options, see page 6-102.

PROGRAM #16

EXTRA HAZARD APPLICATIONS				ORDINARY & LIGHT HAZARD APP.			
FIRECYCLE DETECTORS MODEL B				FIRECYCLE OH DETECTORS MODEL C			
WITH 04632A CABLE		WITH FPL WIRE IN CONDUIT		FLUSH MOUNTED		SURFACE MOUNTED	
TEMP. F°	PART NO.	TEMP. F°	PART NO.	TEMP. F°	PART NO.	TEMP. F°	PART NO.
140	0471A	140	08288	140	11723	140	11727
160	0471A	160	08289	160	11724	160	11728
190	04718A	190	08290	190	11725	190	11729
225	04719A	225	08291	225	11726	225	11730



NOTES:

1. Run field wiring and ensure connections are proper by metering wires. Resistance reading should be 5.1K ohms with end-offline resistor (EOLR) at last device. The end-of-line resistor are supplied with the panel. Install EOLR on all unused circuits.
2. Connect one circuit at a time and apply AC power.
3. Connect batteries to the panel
4. Press ENT to enter PROGRAM mode
5. Press 6 or scroll down to #6 and press ENT, (The selection is indicated by a flashing arrow next to the number.
6. Enter the password. (Factory default is 1111)
7. Press 1 or press ENT. (1 should be the highlighted selection)
8. The display shows the current program number. Press 16 to change to program 16. Press ENT.
9. Press 1 to accept the change.
10. Press ENT to accept the change

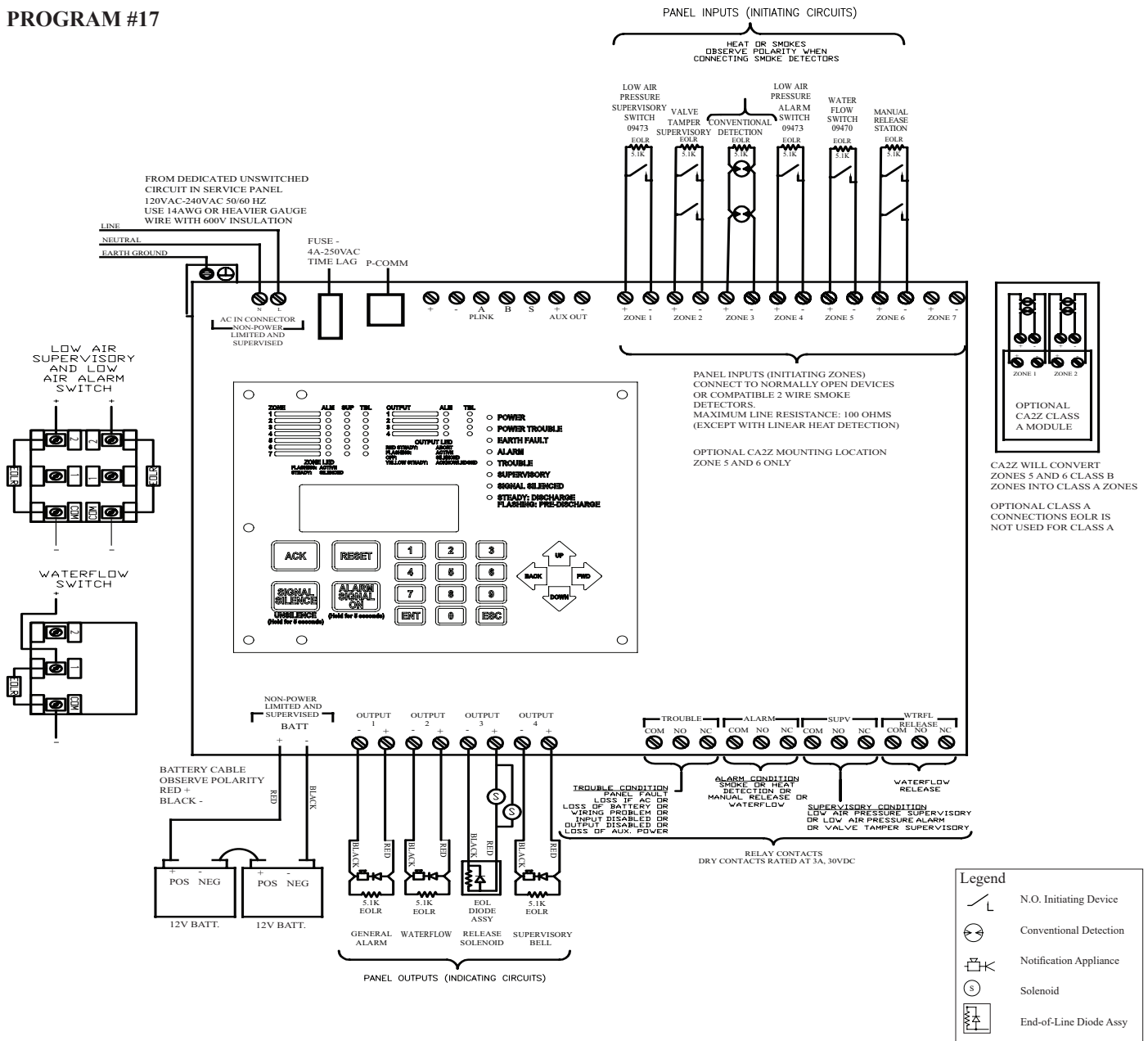
Note: Release solenoids #1 and #2 shall be wired in parallel and connected to output #3. the wiring shall be in conduit otherwise protected. Any connections shall be made in a junction box. This may not conform to the monitoring for integrity requirements for NFPA 72.

PROGRAM #16							
For One Sprinkler System							
Viking Sprinkler System Types (UK only)	2 Release Zones, Waterflow Zone, and Manual Release Zone	E-1 Single-interlocked Firecycle III preaction system with Electric-Pneumatic release					
OUTPUTS (Indicating Circuits)	ZONES (Initiating Circuits)						
	#1	#2	#3	#4	#5	#6	#7
	Valve Tamper Supervisory Zone	Low Air Supervisory Zone	Firecycle Detection Zone	Low Air Alarm Zone	Waterflow Zone	Manual Release Zone	Unused
#1 General Alarm			X		X	X	
#2 Low air/Tamper	X	X		X			
#3 Release Solenoids #1 & #2			X			X	
#4 N/O Solenoid			X	X	X		
OPERATION DESCRIPTION							
Inputs:	1 Firecycle Detection zone, 1 Low air alarm zone, 1 Waterflow zone, 1 Manual Release zone, 2 Supervisory zones						
Outputs:	1 General Alarm, 1 Low Air/Tamper, 2 Release Solenoids (single output from panel), 1 N/O solenoid						
Operation:	Activation of Firecycle Detection zone #3 will activate output #3 (release solenoids), output #1 (General Alarm), and output #4 (N/O solenoid)						
	Activation of Low air alarm zone #4 will activate output #2 (Low air/Tamper) and output #4 (N/O solenoid)						
	Activation of Waterflow Zone #5 will activate output #1 (General Alarm) and output #4 (N/O solenoid)						
	Activation of manual release zone #6 will activate output #3 (release solenoids) and output #1 (General Alarm)						
	Deactivation of the Firecycle Detector Zone #3 will start soak timer. When timer cycle is complete, output #3 (release solenoids) is deactivated.						
	Activation of Valve Tamper supervisory zone #1, Low air supervisory zone #2, or Low air alarm #2 will operate output #2 (Low air/Tamper)						

NOTES:

1. Connect EOL Diode assembly IN SERIES as shown with solenoids on outputs #3 and #4. Black wire to negative terminal on panel. Red wire through solenoid to positive terminal on panel. Output #3 has 2 solenoids. These must be connected in parallel and the EOL diode is connected in series with the parallel solenoids.
2. Polarity is shown on indicating/release circuits in an activated (in alarm) condition.
3. Install EOLR (provided) on all unused circuits.
4. See the instruction manual for circuit information, panel limits, and battery sizing.
5. For wire routing instructions through the releasing panel, see Fig 1 on page 2-7 of the instruction manual.
6. See instruction manual for proper programming.
7. See instruction manual for list of compatible smoke detectors and solenoids.
8. See specific system type data page for proper pressure switch settings.
9. Connect EOL resistor in SERIES after LAST Firecycle detector on return line to common terminal in Firecycle detector zone #1.
10. Set the soak timer to desired duration period. Factory setting is continuous. Recommended time is 60 seconds, minimum.
11. Loss of power below 20 volts causes output #3 (release solenoids) and output #4 (N/O solenoid) to drop out.
12. See Viking technical data sheet F_051404 for Firecycle deluge multi-cycle system.
13. For UL864 Approved Programming Options, see page 6-102.

PROGRAM #17



1. Run field wiring and ensure connections are proper by metering wires. Resistance reading should be 5.1K ohms with end-offline resistor (EOLR) at last device. The end-of-line resistor are supplied with the panel Install EOLR on all unused circuits.
2. Connect one circuit at a time and apply AC power.
3. Connect batteries to the panel
4. Press ENT to enter PROGRAM mode
5. Press 6 or scroll down to #6 and press ENT, (The selection is indicated by a flashing arrow next to the number.
6. Enter the password. (Factory default is 1111)
7. Press 1 or press ENT. (1 should be the highlighted selection)
8. The display shows the current program number. Press 17 to change to program 17. Press ENT.
9. Press 1 to accept the change.
10. Press ENT to accept the change

Note: Release solenoids #1 and #2 shall be wired in parallel and connected to output #3. the wiring shall be in conduit or otherwise protected. Any connections shall be made in a junction box. This may not conform to the monitoring for integrity requirements for NFPA 72.

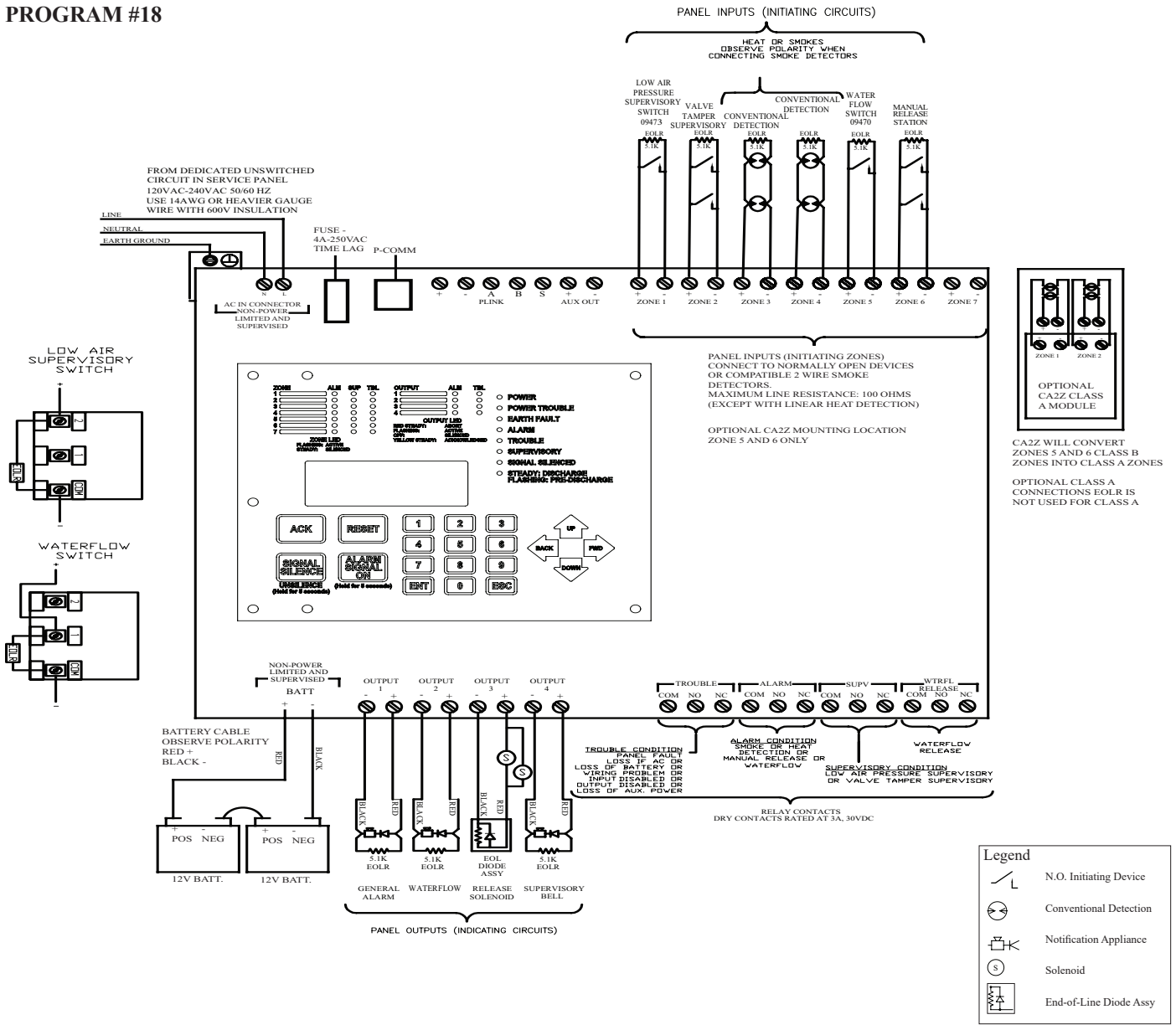
PROGRAM #17								
For One Sprinkler System								
Viking Sprinkler System Types (UK Only)	2 Cross Release zones, Waterflow zone, and Manual Release zone	1. Double Interlocked Preaction System with Electric/Pneu-Lectric Release						
OUTPUTS (Indicating Circuits)	ZONES (Initiating Circuits)							Software Zone
	#1	#2	#3	#4	#5	#6	#7	#8
	Low Air Supervisory Zone	Valve Tamper Supervisory Zone	Conventional Detection Zone	Low Air Alarm Zone	Waterflow Zone	Manual Release Zone	Unused	Release Type Zone
#1 General Alarm			X			X		X
#2 Waterflow Alarm					X			
#3 Release Solenoid			X X	X X		X		XX*
#4 Supervisory Bell	X	X		X				
OPERATION DESCRIPTION								
Inputs:	1 Conventional Detection zone cross zoned with 1 Low Air Alarm zone, 1 Waterflow zone, 1 Manual Release zone, 2 Supervisory zones							
Outputs:	1 General Alarm, 1 Waterflow, 1 Release Solenoid, 1 Supervisory Bell							
Operation:	Simultaneous activation of both the Conventional Detection zone 3 and the Low Air Alarm zone #4 will activate output #3 (Release solenoid), output #1 (General alarm), and output #4 (Supervisory Bell)							
	Activation of Conventional Detection zone #3 will activate output #1 (General Alarm)							
	Activation of Low Air Alarm zone #4 will activate output #4 (Supervisory Bell)							
	Activation of Waterflow zone #5 will activate output #2 (Waterflow)							
	Activation of Manual Release zone #6 will activate output #3 (Release Solenoid) and output #1 (General Alarm)							
Activation of Low Air Supervisory zone #1 or Valve Tamper Supervisory zone #2 will operate output #4 (Supervisory Bell)								

* Release Outputs which are Cross-Zoned need a Software Zone in order to work properly. The Software Zone Number will be displayed upon a release.

NOTES:

1. Connect EOL Diode assembly IN SERIES as shown with solenoids on outputs #3. Black wire to negative terminal on panel Red wire through solenoid to positive terminal on panel. Output #3 has 2 solenoids. These must be connected in parallel and the EOL diode is connected in series with the parallel solenoids.
2. Polarity is shown on indicating circuits in an activated (in alarm) condition.
3. Install EOLR (provided) on all unused circuits.
4. See the instruction manual for circuit information, panel limits, and battery sizing.
5. For wire routing instructions through the releasing panel, see Fig 1 on page 2-7 of the instruction manual.
6. See instruction manual for proper programming.
7. See instruction manual for list of compatible smoke detectors.
8. See specific system type data page for proper pressure switch settings.
9. For UL864 Approved Programming Options, see page 6-102.

PROGRAM #18



NOTES:

1. Run field wiring and ensure connections are proper by metering wires. Resistance reading should be 5.1K ohms with end-offline resistor (EOLR) at last device. The end-of-line resistor are supplied with the panel. Install EOLR on all unused circuits.
2. Connect one circuit at a time and apply AC power.
3. Connect batteries to the panel
4. Press ENT to enter PROGRAM mode
5. Press 6 or scroll down to #6 and press ENT, (The selection is indicated by a flashing arrow next to the number.
6. Enter the password. (Factory default is 1111)
7. Press 1 or press ENT. (1 should be the highlighted selection)
8. The display shows the current program number. Press 18 to change to program 18. Press ENT.
9. Press 1 to accept the change.
10. Press ENT to accept the change

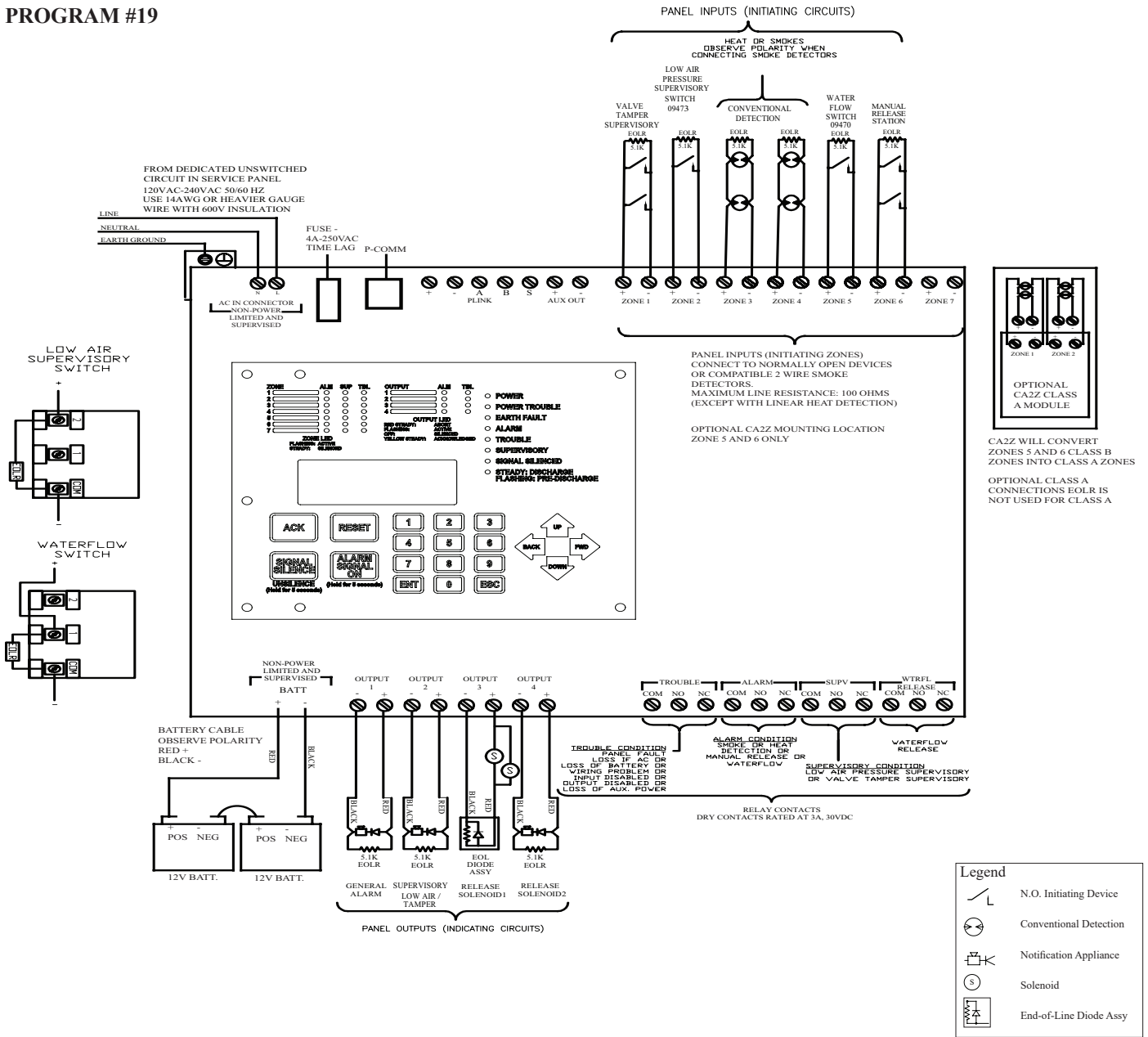
Note: Release solenoids #1 and #2 shall be wired in parallel and connected to output #3. the wiring shall be in conduit or otherwise protected. Any connections shall be made in a junction box. This may not conform to the monitoring for integrity requirements for NFPA 72.

PROGRAM #18							
For One Sprinkler System							
Viking Sprinkler System Types (UK Only)	2 Release Zones, Waterflow Zone, & Manual Release Zone	1. Single Interlocked Preaction System with Electric Release					
		2. Deluge System with Electric Release					
		3. Non-Interlocked Preaction System with Electric Release					
		4. Double Interlocked Preaction System with Electric/Pneumatic Release					
OUTPUTS (Indicating Circuits)	ZONES (Initiating Circuits)						
	#1	#2	#3	#4	#5	#6	#7
	Low Air Supervisory Zone	Valve Tamper Supervisory Zone	Conventional Detection Zone	Conventional Detection Zone	Waterflow Zone	Manual Release Zone	Unused
#1 General Alarm			X	X	X	X	
#2 Waterflow					X		
#3 Release Solenoid			X	X		X	
#4 Supervisory Bell	X	X					
OPERATION DESCRIPTION							
Inputs:	2 Conventional Detection zones, 1 Waterflow zone, 1 Manual Release zone, 2 Supervisory zones						
Outputs:	1 General Alarm, 1 Waterflow Alarm, 1 Solenoid Release, 1 Supervisory Bell						
Operation:	Activation of Conventional Detection zone #3 or #4 or Manual Release zone #6 will activate output #3 (Release Solenoid) and output #1 (General Alarm)						
	Activation of Waterflow zone #5 will activate output #2 (Waterflow) and output #1 (General Alarm)						
	Activation of Low Air Supervisory zone #1 or Valve Tamper Supervisory zone #2 will operate output #4 (Supervisory Bell).						

NOTES:

1. Connect EOL Diode assembly IN SERIES as shown with solenoids on outputs #3. Black wire to negative terminal on panel Red wire through solenoid to positive terminal on panel. Output #3 has 2 solenoids. These must be connected in parallel and the EOL diode is connected in series with the parallel solenoids..
2. Polarity is shown on indicating circuits in an activated (in alarm) condition.
3. Install EOLR (provided) on all unused circuits.
4. See the instruction manual for circuit information, panel limits, and battery sizing.
5. For wire routing instructions through the releasing panel, see Fig 1 on page 2-7 of the instruction manual.
6. See instruction manual for proper programming.
7. See instruction manual for list of compatible smoke detectors.
8. See specific system type data page for proper pressure switch settings.
9. For UL864 Approved Programming Options, see page 6-102.

PROGRAM #19



1. Run field wiring and ensure connections are proper by metering wires. Resistance reading should be 5.1K ohms with end-of-line resistor. The end-of-line resistor are supplied with the panel. Install EOLR on all unused circuits.
2. Connect one circuit at a time and apply AC power.
3. Connect batteries to the panel
4. Press ENT to enter PROGRAM mode
5. Press 6 or scroll down to #6 and press ENT, (The selection is indicated by a flashing arrow next to the number.
6. Enter the password. (Factory default is 1111)
7. Press 1 or press ENT. (1 should be the highlighted selection)
8. The display shows the current program number. Press 19 to change to program 19. Press ENT.
9. Press 1 to accept the change.
10. Press ENT to accept the change

Note: Release solenoids #1 and #2 shall be wired in parallel and connected to output #3. the wiring shall be in conduit or otherwise protected. Any connections shall be made in a junction box. This may not conform to the monitoring for integrity requirements for NFPA 72.

PROGRAM #19								
For One Sprinkler System								
Viking Sprinkler System Types (UK Only)	2 Cross Release Zones, Waterflow Zone, & Manual Release Zone	1. Single Interlocked Preaction System with Electric Release						
		2. Deluge System with Electric Release						
		3. Non-Interlocked Preaction System with Electric Release						
		4. Double Interlocked Preaction System with Electric/Pneumatic Release						
OUTPUTS (Indicating Circuits)	ZONES (Initiating Circuits)							Software Zone
	#1	#2	#3	#4	#5	#6	#7	#8
	Valve Tamper Supervisory Zone	Low Air Supervisory Zone	Conventional Detection Zone	Conventional Detection Zone	Waterflow Zone	Manual Release Zone	Unused	Release Type Zone
#1 General Alarm			X	X		X		X
#2 Waterflow					X			
#3 Release Solenoid			XX	XX		X		XX*
#4 Supervisory Bell	X	X						
OPERATION DESCRIPTION								
Inputs:	2 Conventional Detection zones, 1 Waterflow zone, 1 Manual Release zone, 2 Supervisory zones							
Outputs:	1 General Alarm, 1 Waterflow Alarm, 1 Solenoid Release, 1 Supervisory Bell							
Operation:	Activation of Conventional Detection zone #3 and #4 or Manual Release zone #6 will activate output #3 (Release Solenoid) and output #1 (General Alarm)							
	Activation of Waterflow zone #5 will activate output #2 (Waterflow)							
	Activation of Low Air Supervisory zone #1 or Valve Tamper Supervisory zone #2 will operate output #4 (Supervisory Bell).							

* Release Outputs which are Cross-Zoned need a Software Zone in order to work properly. The Software Zone Number will be displayed upon a release.

NOTES:

1. Connect EOL Diode assembly IN SERIES as shown with solenoids on outputs #3. Black wire to negative terminal on panel. Red wire through solenoid to positive terminal on panel. Output #3 has 2 solenoids. These must be connected in parallel and the EOL diode is connected in series with the parallel solenoids.
2. Polarity is shown on indicating circuits in an activated (in alarm) condition.
3. Install EOLR (provided) on all unused circuits.
4. See the instruction manual for circuit information, panel limits, and battery sizing.
5. For wire routing instructions through the releasing panel, see Fig 1 on page 2-7 of the instruction manual.
6. See instruction manual for proper programming.
7. See instruction manual for list of compatible smoke detectors.
8. See specific system type data page for proper pressure switch settings.
9. For UL864 Approved Programming Options, see page 6-102.

NOTICE

The following programs are for agent or gas extinguishing systems. Selecting the Agent Release mode allows the use of a pre-discharge timer and an abort circuit. The timer defaults to 60 seconds for all alarm zones programmed as other than MANUAL RELEASE. The MANUAL RELEASE default timer is 30 seconds. The system offers the programmer the ability to change the default timers to shorter times.

Systems intended for the release of Halon 1301 as described in NFPA 12A, water mist systems as described in NFPA 750 clean agents as described in NFPA 2001, or fixed aerosol as described in NFPA 2010, or shall have provision for a pre-discharge notification circuit. If this signal is required to be separate and/or distinct from the evacuation signal, this can be accomplished by using the legacy method of using first and second alarms on separate zones. One shall be programmed as FIRST ALARM. It will provide a steady output upon activation of any initiating zone programmed as an alarm zone. This is the evacuation signal. If a temporal signal is required, the output pattern can be changed using the zone menu. The other notification circuit shall be programmed as SECOND ALARM. It will provide a steady output upon activation of a second initiating zone programmed as an alarm zone (cross zoned). This is when the pre-discharge timer would start and would be the pre-discharge signal. If a temporal signal is required, the output pattern can be changed using the zone menu (output pattern and pre release pattern need to be changed). If a separate signal for discharge were required, the second alarm pre discharge pattern can be changed in the zone menu. Zones programmed as MANUAL RELEASE will activate outputs programmed as SECOND ALARM, even if the MANUAL RELEASE zone is the first alarm zone activated. SECOND ALARM is intended to be used as a pre-discharge signal for cross zone applications.

The VFR-500 allow for 3 patterns using 1 notification circuit. The evacuation signal pattern can be set in the zone menu for the detection zones mapped to the alarm indicating output. To set the pre discharge pattern and discharge pattern select the pattern in the zone menu for the software zone for the cross zoned output.

CAUTION

The default programming does not allow the abort circuit to abort the release or stop the pre-discharge timer activated by zones programmed as MANUAL RELEASE. This can be changed in the programming to allow MANUAL RELEASE zones to be aborted.

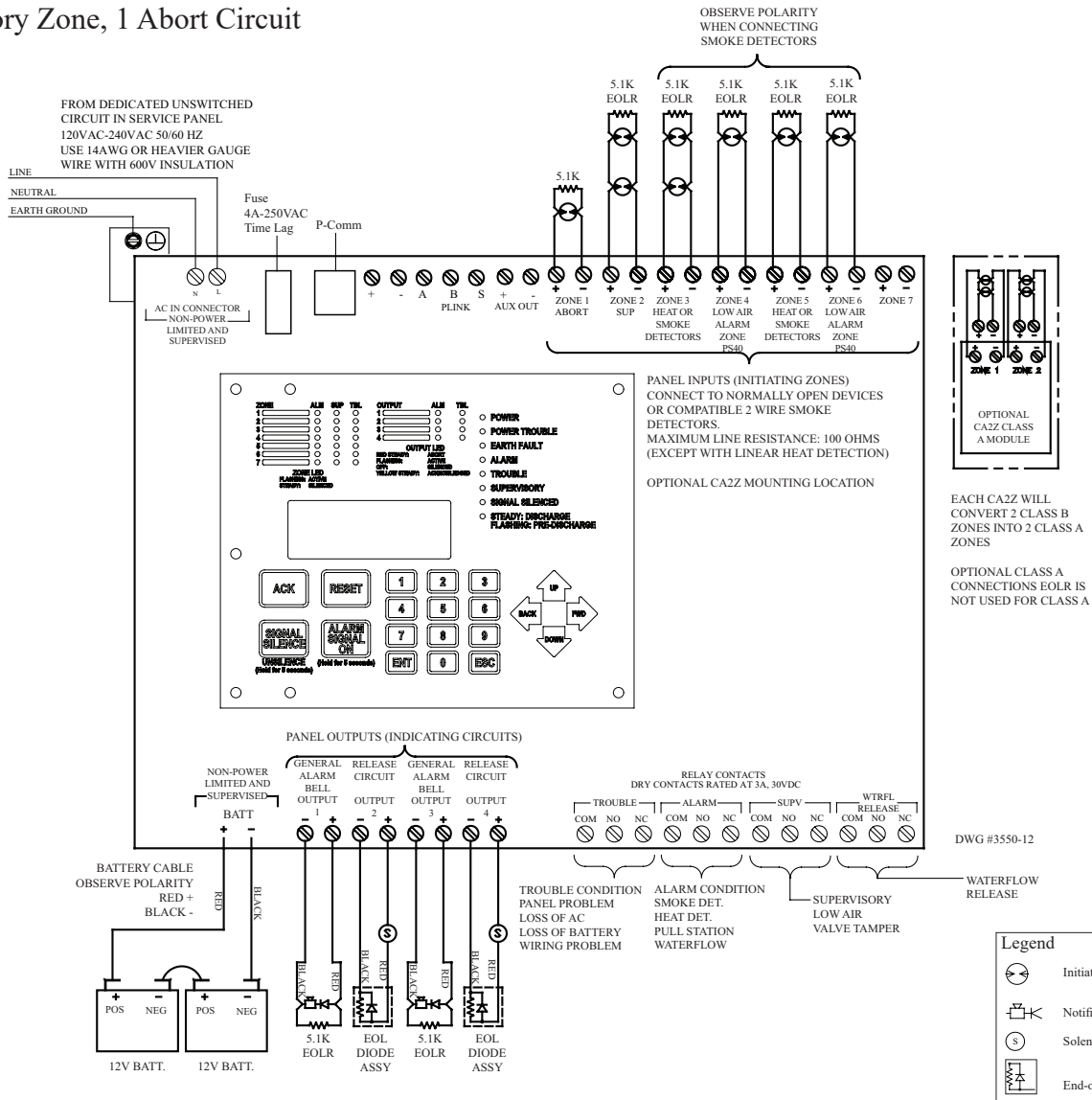
NFPA 12 prohibits the use of abort circuits on suppression systems deploying carbon dioxide.

Systems designed and installed in accordance with NFPA 2001, NFPA-750, NFPA-2010, NFPA 12 A shall be provided with a mechanical manual release system.

This page intentionally left blank.

Wiring Diagram Program #20

Dual Hazard, 2 Detection Zones Cross-Zoned to 1 Release Circuit, 2
 Other Detection Zones Cross-Zoned to A Separate Release Circuit, 1
 Supervisory Zone, 1 Abort Circuit



NOTES:

1. Connect only UL Listed 24VDC devices to indicating circuits.
 2. Connect EOL Diode assembly IN SERIES with solenoid on release circuit
 3. Install EOLR (provided) on all unused circuits.
 4. Polarity is shown on indicating circuits in an activated (off-normal) condition.
 5. Polarity reverses when output is activated.
 6. Maximum current per output is 3 Amp. Maximum voltage is 33VDC.
 7. Outputs identified as Release are Special Application. All other outputs are Regulated 24 VDC, Rated 3 Amp each, 3 Amp total for all 4 circuits.
 8. All initiating and NAC/Release circuits are supervised and power limited. See Main Board Wiring Specifications for wire routing instructions. All frequencies are continuous.
 9. Refer to Appendix A for test and maintenance information
 10. Maximum resistance on outputs is 10 ohms. Maximum resistance on outputs programmed as releasing, is 1 divided by current requirements of solenoid.
- See Appendix C for smoke detector compatibility data.
 See Battery Calculation Worksheet for battery information.

Program #20 Mode

1. Apply power to panel.
2. Press ENT to enter PROGRAM mode
3. Press 6 or scroll down to #6 and press ENT, (The selection is indicated by a flashing arrow next to the number.
4. Enter the password. (Factory default is 1111)
5. Press 1 or press ENT. (1 should be the highlighted selection)
6. The display shows the current program number. Press 20 to change to program 20. Press ENT.
7. Press 1 to accept the change.
8. Press ENT to accept the change.

Dual Hazard, 2 Detection Zones Cross-Zoned to 1 Release Circuit, 2 Other Detection Zones Cross-Zoned to a Separate Release Circuit, 1 Supervisory Circuit, 1 abort circuit	PROGRAM #20								
	CONVENTIONAL INPUT ZONES							SOFTWARE ZONES	
	#1	#2	#3	#4	#5	#6	#7	#8	#9
OUTPUTS	Abort	Supervisory	Detection	Detection	Detection	Detection	Unused	Release Zone Type	Release Zone Type
#1 ALARM INDICATING			x	x				X	
#2 RELEASE			xx	xx				XX*	
#3 ALARM INDICATING					x	x			X
#4 RELEASE					xx	xx			XX*

* Release Outputs which are Cross-Zoned need a Software Zone in order to work properly. The Software Zone Number will be displayed upon a release.

XX = Cross-Zoned

Description: Dual Hazard, 2 detection zones cross-zoned to 1 release circuit and 2 other detection zones cross zoned to another release circuit

Inputs: 1 supervisory zone, 4 detection zones, 1 abort circuit

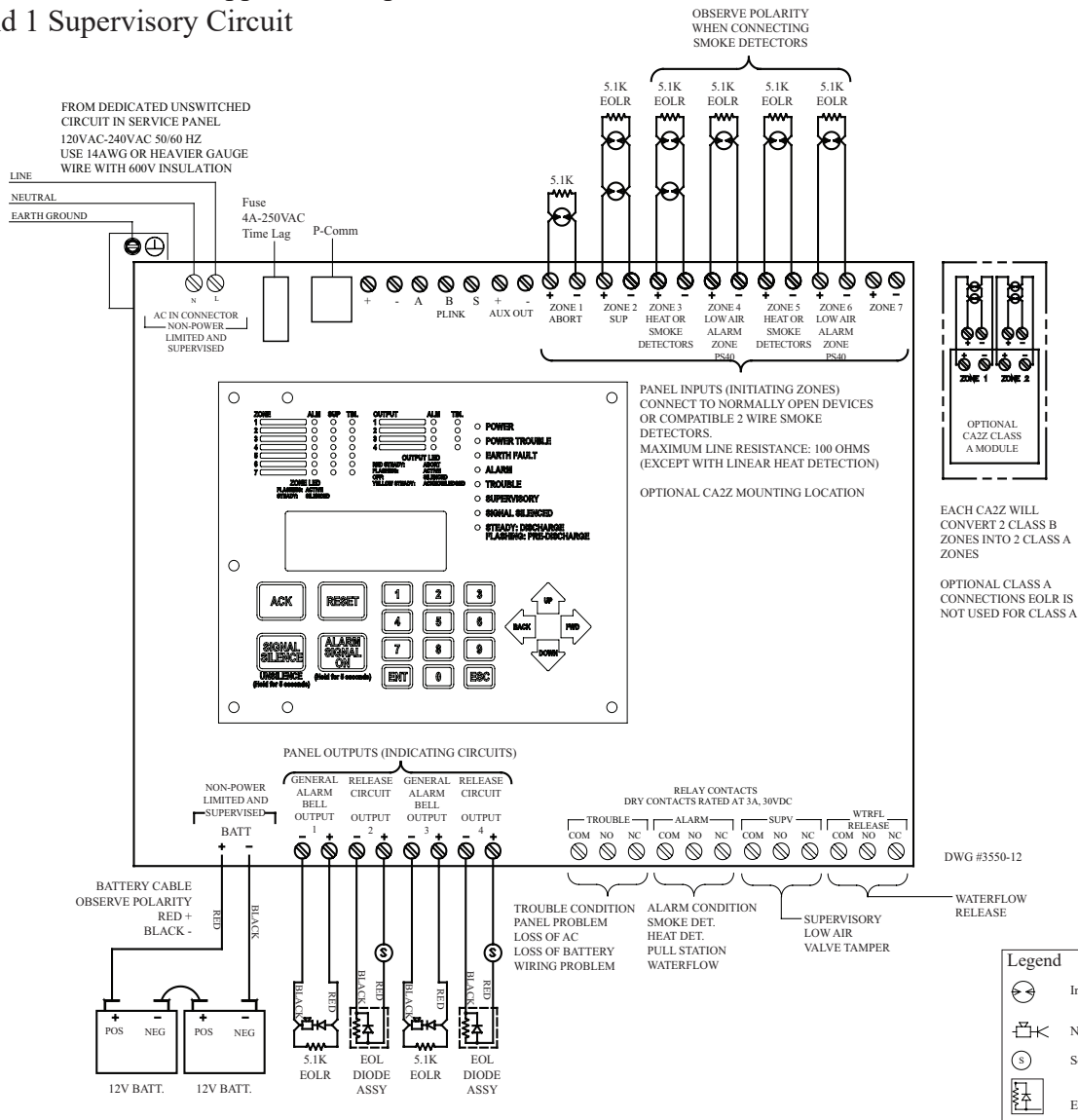
Outputs: 2 general alarm, 2 release circuit

Operation: Activation of either detection zones 3 or 4 will activate the alarm output #1
 Activation of both detection circuits 3 and 4 at the same time will start the pre-discharge timer for release circuit output #2 as well as activate the alarm output #1
 Activation of either detection zones 5 or 6 will activate the alarm output #3
 Activation of both detection circuits 5 and 6 at the same time will start the pre-discharge timer for release circuit output #4 as well as activate the alarm output #3

When either zone 3 or 4 is in alarm, output 1 will operate
 When both zones 3 and 4 are in alarm at the same time, the pre-discharge timer for output #2 will operate
 When either zone 5 or 6 is in alarm, output 3 will operate
 When both zones 5 and 6 are in alarm at the same time, the pre-discharge timer for output #4 will operate

Wiring Diagram Program #21

Dual Hazard, 2 Detection Zones Mapped to 1 Release Circuit and 2 Other Detection Zones Mapped to A Separate Circuit, 1 Abort Circuit, and 1 Supervisory Circuit



NOTES:

1. Connect only UL Listed 24VDC devices to indicating circuits.
 2. Connect EOL Diode assembly IN SERIES with solenoid on release circuit
 3. Install EOLR (provided) on all unused circuits.
 4. Polarity is shown on indicating circuits in an activated (off-normal) condition.
 5. Polarity reverses when output is activated.
 6. Maximum current per output is 3 Amp. Maximum voltage is 33VDC.
 7. Outputs identified as Release are Special Application. All other outputs are Regulated 24 VDC, Rated 3 Amp each, 3 Amp total for all 4 circuits.
 8. All initiating and NAC/Release circuits are supervised and power limited. See Main Board Wiring Specifications for wire routing instructions. All frequencies are continuous.
 9. Refer to Appendix A for test and maintenance information
 10. Maximum resistance on outputs is 10 ohms. Maximum resistance on outputs programmed as releasing, is 1 divided by current requirements of solenoid.
- See Appendix C for smoke detector compatibility data.
- See Battery Calculation Worksheet for battery information.

Program #21 Mode

1. Apply power to panel.
2. Press ENT to enter PROGRAM mode
3. Press 6 or scroll down to #6 and press ENT, (The selection is indicated by a flashing arrow next to the number.
4. Enter the password. (Factory default is 1111)
5. Press 1 or press ENT. (1 should be the highlighted selection)
6. The display shows the current program number. Press 21 to change to program 21. Press ENT.
7. Press 1 to accept the change.
8. Press ENT to accept the change.

Dual Hazard, 2 Detection Zones Mapped to 1 Release Circuit and 2 Other Detection Zones Mapped to a Separate Release Circuit, 1 Supervisory Circuit, 1 Abort Circuit	PROGRAM #21						
	CONVENTIONAL INPUT ZONES						
	#1	#2	#3	#4	#5	#6	#7
OUTPUTS	Abort	Supervisory	Detection	Detection	Detection	Detection	Unused
#1 ALARM INDICATING			x	x			
#2 RELEASE			x	x			
#3 ALARM INDICATING					x	x	
#4 RELEASE					x	x	

Description: Dual Hazard, 2 detection zones mapped to 1 release circuit and 2 other detection zones mapped to another release circuit

Inputs: 1 supervisory zone, 4 detection zones, 1 abort circuit

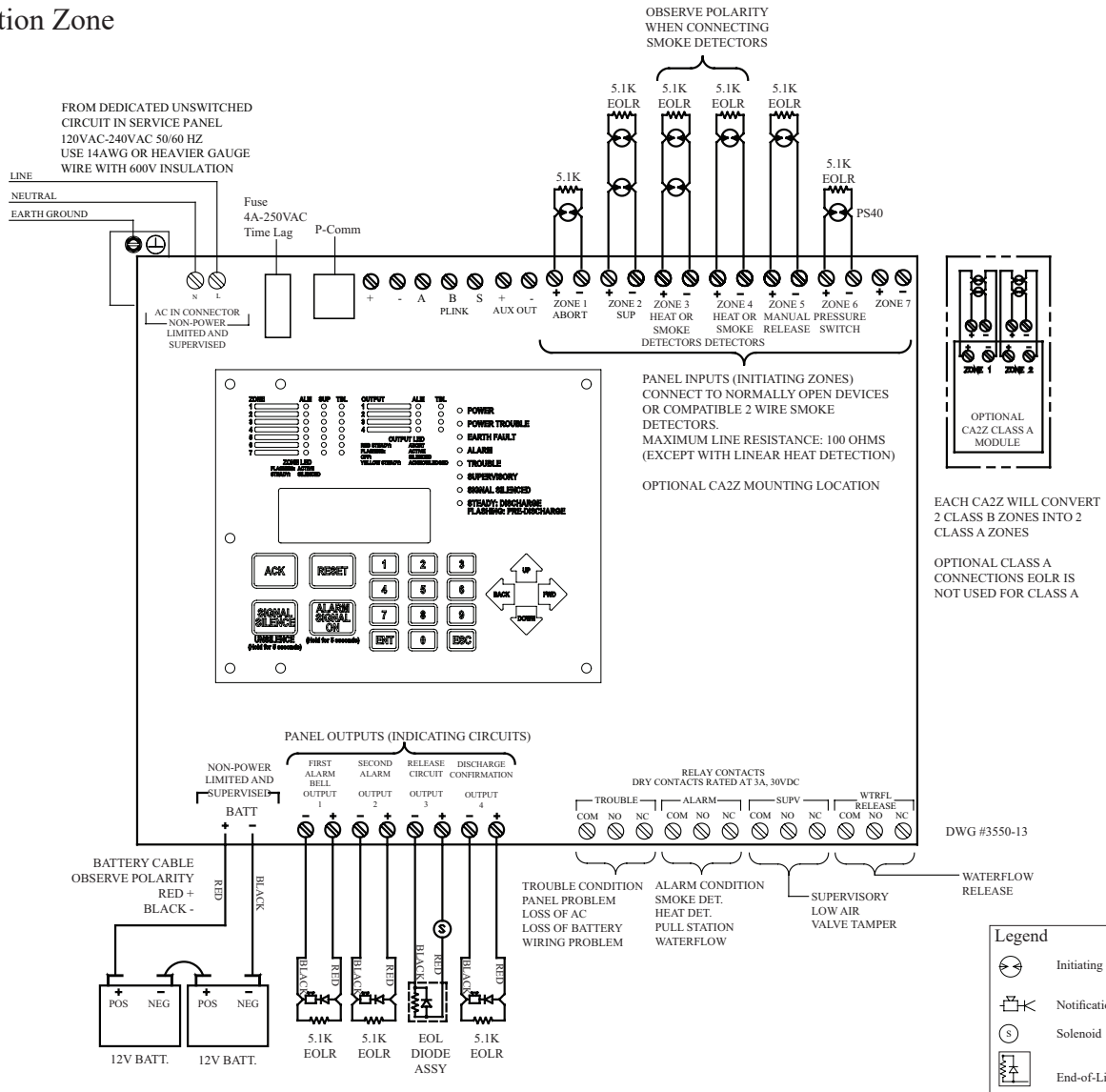
Outputs: 2 general alarm, 2 release circuit

Operation: Activation of either detection zone 3 or 4 will activate the alarm output #1 and start the pre-discharge timer for the release circuit output #2
 Activation of either detection zone 5 or 6 will activate the alarm output #3 and start the pre-discharge timer for the release circuit output #2

When either zone 3 or 4 is in alarm, outputs 1 & 2 will operate
 When either zone 5 or 6 is in alarm, outputs 3 & 4 will operate

Wiring Diagram Program #22

Single Hazard, 2 Detection Zones Cross-zoned to 1 Release Circuit, 1 Manual Station and A Discharge Confirmation Zone



NOTES:

1. Connect only UL Listed 24VDC devices to indicating circuits.
2. Connect EOL Diode assembly IN SERIES with solenoid on release circuit
3. Install EOLR (provided) on all unused circuits.
4. Polarity is shown on indicating circuits in an activated (off-normal) condition.
5. Polarity reverses when output is activated.
6. Maximum current per output is 3 Amp. Maximum voltage is 33VDC.
7. Outputs identified as Release are Special Application. All other outputs are Regulated 24 VDC, Rated 3 Amp each, 3 Amp total for all 4 circuits.
8. All initiating and NAC/Release circuits are supervised and power limited. See Main Board Wiring Specifications for wire routing instructions. All frequencies are continuous.
9. Refer to Appendix A for test and maintenance information

10. Maximum resistance on outputs is 10 ohms. Maximum resistance on outputs programmed as releasing, is 1 divided by current requirements of solenoid.

See Appendix C for smoke detector compatibility data.

See Battery Calculation Worksheet for battery information.

Program #22 Mode

1. Apply power to panel.
2. Press ENT to enter PROGRAM mode
3. Press 6 or scroll down to #6 and press ENT, (The selection is indicated by a flashing arrow next to the number.
4. Enter the password. (Factory default is 1111)
5. Press 1 or press ENT. (1 should be the highlighted selection)
6. The display shows the current program number. Press 22 to change to program 22. Press ENT.
7. Press 1 to accept the change.
8. Press ENT to accept the change.

Single Hazard, 2 Detection Zones Cross-Zoned to 1 Release Circuit, 1 Manual Station and a Discharge Confirmation Zone	PROGRAM #22								
	CONVENTIONAL INPUT ZONES							Software Zones	
	#1	#2	#3	#4	#5	#6	#7	#8	#9
OUTPUTS	Abort	Supervisory	Detection	Detection	Manual Release	Detection	Unused	Alarm	Release Zone Type
#1 1st ALARM			x	x					
#2 2nd ALARM			xx	xx	x			XX*	X
#3 RELEASE			xx	xx	x				XX*
#4 ALARM INDICATING						x			

* Release Outputs which are Cross-Zoned and 2nd alarm need a Software Zone in order to work properly. The Software Zone Number will be displayed upon a release.

XX = Cross-Zoned

Description: Single Hazard, 2 detection zones cross-zoned to 1 release circuit. A manual station zone and a discharge confirmation zone. Also first and second alarm notification circuits.

Inputs: 1 supervisory zone, 3 detection zones, 1 manual station zone, 1 abort circuit

Outputs: 3 general alarm, 1 release circuit

Operation: Activation of either detection zones 3 or 4 will activate the alarm output #1
 Activation of both detection circuits 3 and 4 at the same time will activate the alarm outputs #1, #2 and start the pre-discharge timer for the release circuit output #3
 Activation of the manual release zone #5 will activate the alarm output #2 and start the manual release pre-discharge timer for release circuit output #3
 Activation of zone 6 will operate output #4

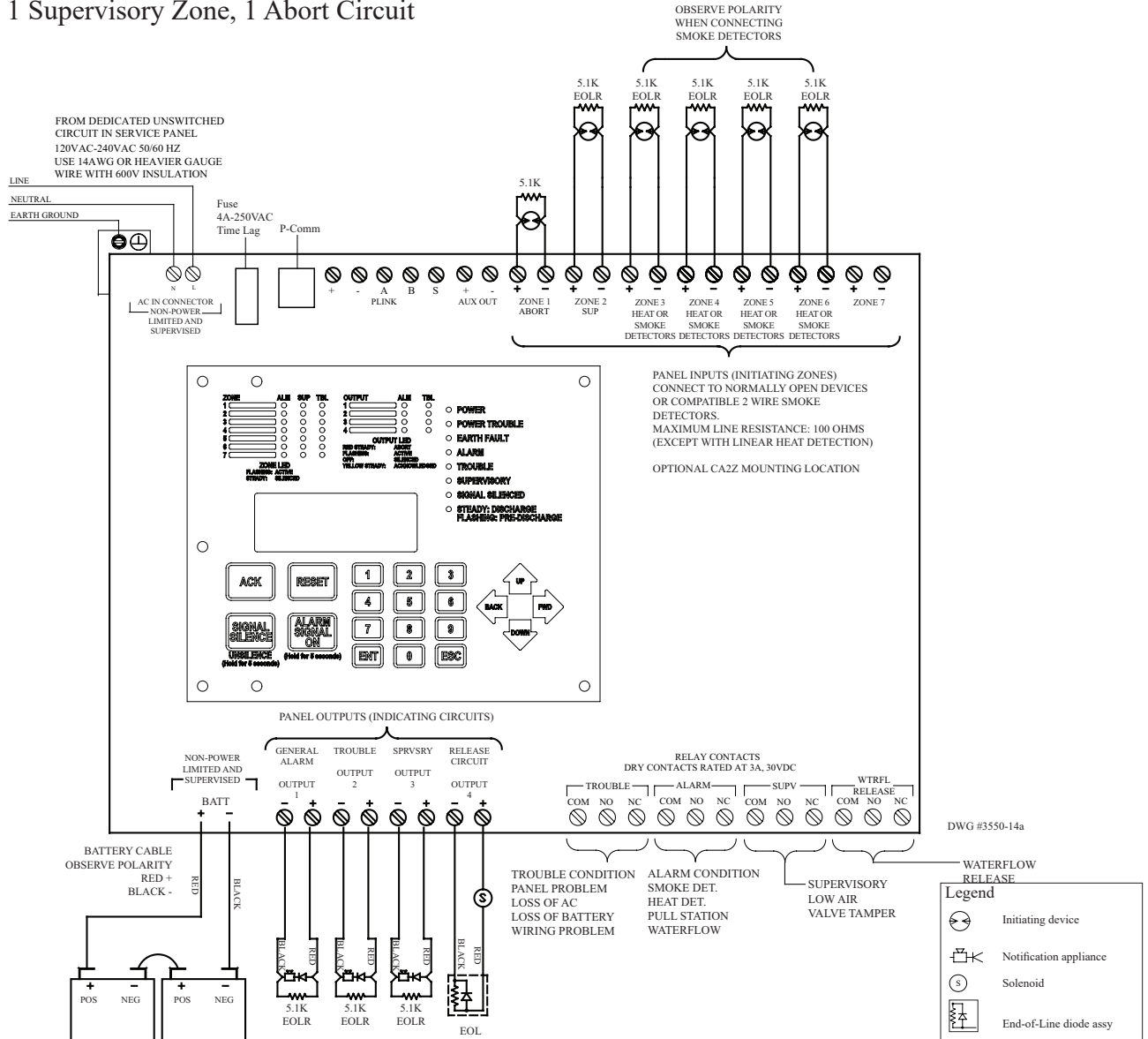
When either zone 3 or 4 is in alarm, output 1 will operate

When both zones 3 and 4 are in alarm at the same time, outputs #1,2 will operate and the pre-discharge timer for output #3 will start

When zone 5 is in alarm, output 2 will operate and the manual release pre-discharge timer for output #3 will start

When zone 6 is in alarm, output #4 will operate

Wiring Diagram Program #23
 Single Hazard, 4 Detection Zones Mapped to 1 Release
 Circuit, 1 Supervisory Zone, 1 Abort Circuit



NOTES:

1. Connect only UL Listed 24VDC devices to indicating circuits.
2. Connect EOL Diode assembly IN SERIES with solenoid on release circuit
3. Install EOLR (provided) on all unused circuits.
4. Polarity is shown on indicating circuits in an activated (off-normal) condition.
5. Polarity reverses when output is activated.
6. Maximum current per output is 3 Amp. Maximum voltage is 33VDC.
7. Outputs identified as Release are Special Application. All other outputs are Regulated 24 VDC, Rated 3 Amp each, 3 Amp total for all 4 circuits.
8. All initiating and NAC/Release circuits are supervised and power limited. See Main Board Wiring Specifications for wire routing instructions. All frequencies are continuous.
9. Refer to Appendix A for test and maintenance information
10. Maximum resistance on outputs is 10 ohms. Maximum resistance on outputs programmed as releasing, is 1 divided by current requirements of solenoid.

See Appendix C for smoke detector compatibility data.

See Battery Calculation Worksheet for battery information.

Program #23 Mode

1. Apply power to panel.
2. Press ENT to enter PROGRAM mode
3. Press 6 or scroll down to #6 and press ENT, (The selection is indicated by a flashing arrow next to the number.
4. Enter the password. (Factory default is 1111)
5. Press 1 or press ENT. (1 should be the highlighted selection)
6. The display shows the current program number. Press 23 to change to program 23. Press ENT.
7. Press 1 to accept the change.
8. Press ENT to accept the change.

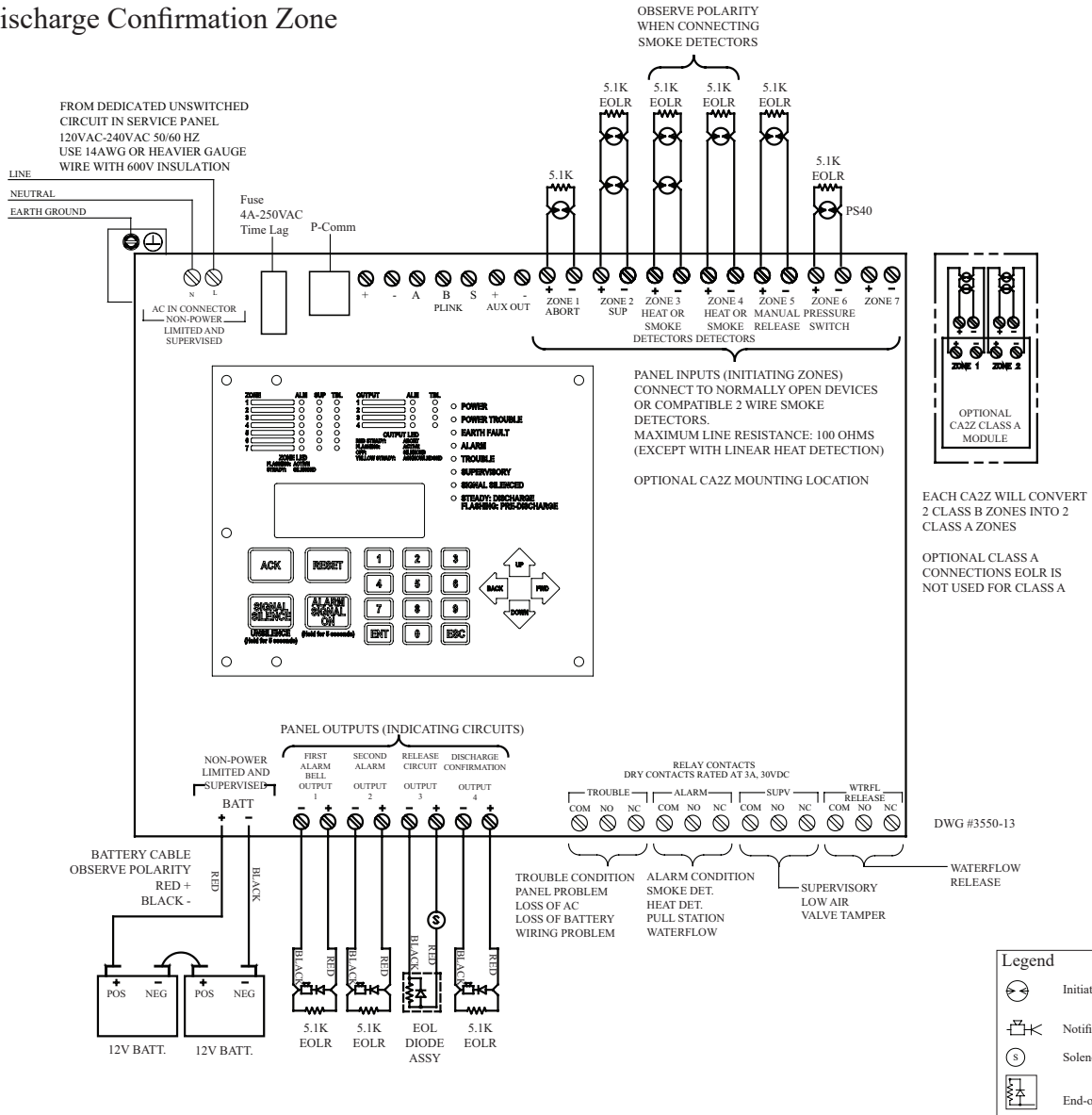
Single Hazard, 4 Detection Zones Mapped to 1 Release Circuit 1 Supervisory Circuit, 1 Abort Circuit	PROGRAM #23						
	CONVENTIONAL INPUT ZONES						
	#1	#2	#3	#4	#5	#6	#7
OUTPUTS	Abort	Supervisory	Detection	Detection	Detection	Detection	Unused
#1 ALARM INDICATING			X	X	X	X	
#2 TROUBLE							
#3 SUPERVISORY		X					
#4 RELEASE			X	X	X	X	

Description: Single Hazard, 4 detection zones mapped to 1 release
 Inputs: 1 supervisory zone, 4 detection zones, 1 abort circuit
 Outputs: 1 general alarm, 1 trouble, 1 supervisory, 1 release circuit
 Operation: Activation of any detection zone will activate the alarm output #1 and start the pre-discharge timer for the release circuit output #4.
 Activation of the supervisory zone will operate the supervisory bell.
 A trouble condition (low battery, wire problem, etc.) will operate the trouble bell.

When either zone 3, 4, 5, or 6 is in alarm, outputs 1 & 4 will operate
 When the zone 6 supervisory zone is activated - output #3 (supervisory bell) will operate.
 When the panel is in a trouble condition - output #2 (trouble bell) will operate.

Wiring Diagram Program #24

Single Hazard, 2 Detection Zones 1 Manual Station Zone and A Discharge Confirmation Zone



NOTES:

1. Connect only UL Listed 24VDC devices to indicating circuits.
2. Connect EOL Diode assembly IN SERIES with solenoid on release circuit
3. Install EOLR (provided) on all unused circuits.
4. Polarity is shown on indicating circuits in an activated (off-normal) condition.
5. Polarity reverses when output is activated.
6. Maximum current per output is 3 Amp. Maximum voltage is 33VDC.
7. Outputs identified as Release are Special Application. All other outputs are Regulated 24 VDC, Rated 3 Amp each, 3 Amp total for all 4 circuits.
8. All initiating and NAC/Release circuits are supervised and power limited. See Main Board Wiring Specifications for wire routing instructions. All frequencies are continuous.
9. Refer to Appendix A for test and maintenance information
10. Maximum resistance on outputs is 10 ohms. Maximum resistance on outputs programmed as releasing, is 1 divided by current requirements of solenoid.

See Appendix C for smoke detector compatibility data.

See Battery Calculation Worksheet for battery information.

Program #24 Mode

1. Apply power to panel.
2. Press ENT to enter PROGRAM mode
3. Press 6 or scroll down to #6 and press ENT, (The selection is indicated by a flashing arrow next to the number.
4. Enter the password. (Factory default is 1111)
5. Press 1 or press ENT. (1 should be the highlighted selection)
6. The display shows the current program number. Press 1 to change to program 1. Press ENT.
7. Press 1 to accept the change.
8. Press ENT to accept the change.

Single Hazard, 2 Detection Zones, 1 Manual Release Zone and A Discharge Confirmation Zone	PROGRAM #24						
	CONVENTIONAL INPUT ZONES						
	#1	#2	#3	#4	#5	#6	#7
OUTPUTS	Abort	Supervisory	Detection	Detection	Manual Release	Low Air Supervisory	Unused
#1 ALARM INDICATING			X	X			
#2 ALARM INDICATING					X		
#3 RELEASE			X	X	X		
#4 SUPERVISORY		X				X	

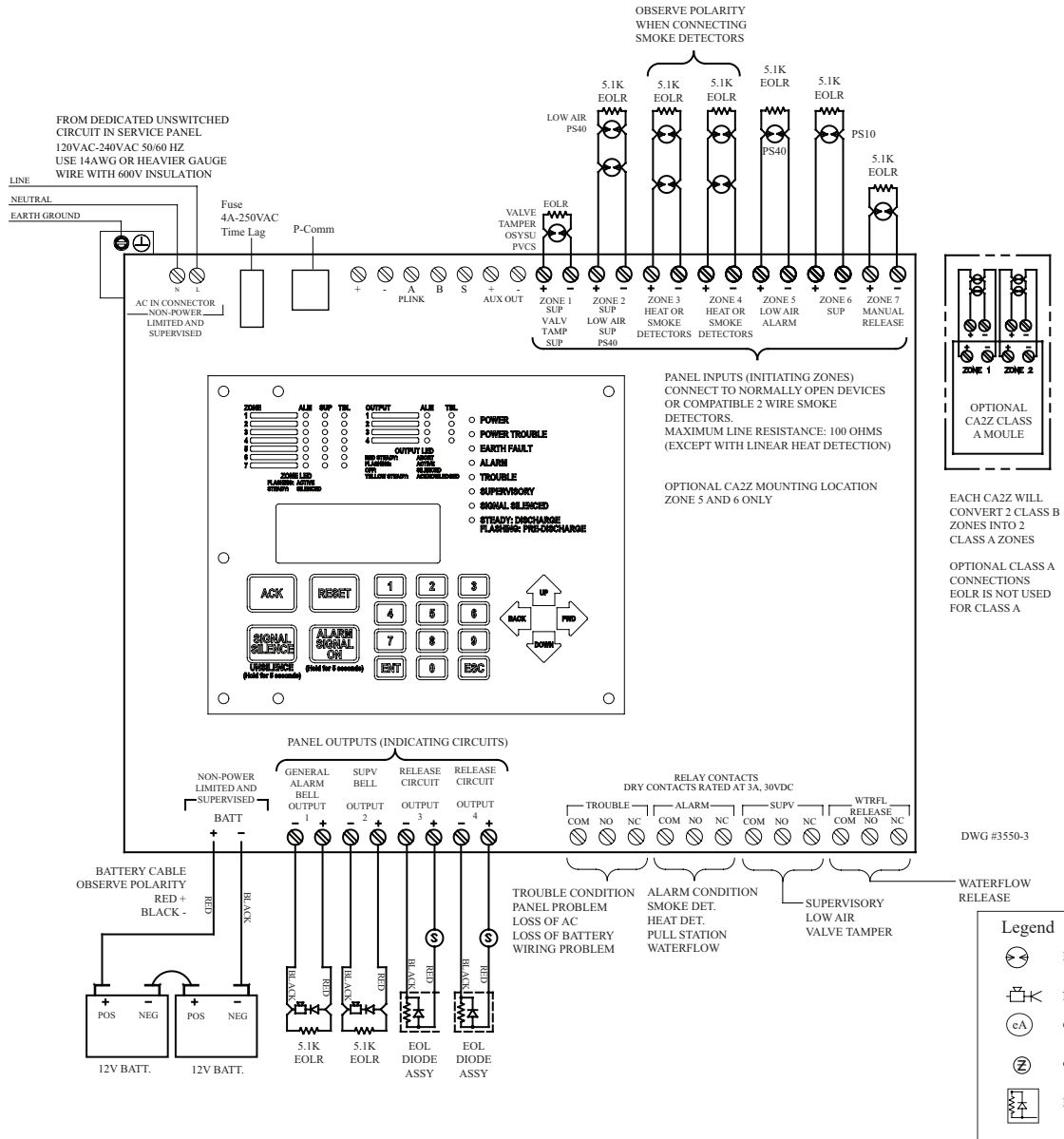
Description: Single Hazard, 2 detection zones, a manual station zone and a discharge confirmation zone.
 Inputs: 1 supervisory zone, 1 low air zone, 2 detection zones, 1 manual station zone, 1 abort circuit
 Outputs: 2 general alarm, 1 release circuit, 1 supervisory
 Operation: Activation of either detection zones 3 or 4 will activate the alarm output #1 and start the pre-discharge timer for the release circuit output #3
 Activation of the manual release zone #5 will activate the alarm output #2 and start the manual release pre-discharge timer for release circuit output #3
 Activation of zone 6 will operate output #4

When either zone 3 or 4 is in alarm, output 1 will operate and the pre-discharge timer for output #3 will start
 When zone 5 is in alarm, output 2 will operate and the manual release pre-discharge timer for output #3 will start.

When zone 6 is activated, output #4 will operate

Wiring Diagram Program #30

Failsafe Single Hazard Cross Zoned, -2 Alarm Zones, 1 Waterflow Zone, 2 supervisory Zones with Manual Release



NOTES:

- Connect only UL Listed 24VDC devices to indicating circuits.
- Connect EOL Diode assembly IN SERIES with solenoid on release circuit
- Install EOLR (provided) on all unused circuits.
- Polarity is shown on indicating circuits in an activated (off-normal) condition.
- Polarity reverses when output is activated.
- Maximum current per output is 3 Amp. Maximum voltage is 33VDC.
- Outputs identified as Release are Special Application. All other outputs are Regulated 24 VDC, Rated 3 Amp each, 3 Amp total for all 4 circuits.
- All initiating and NAC/Release circuits are supervised and power limited. See Main Board Wiring Specifications for wire routing instructions. All frequencies are continuous.
- Refer to Appendix A for test and maintenance information
- Maximum resistance on outputs is 10 ohms. Maximum resistance on outputs programmed as releasing, is 1 divided by current requirements of solenoid.

See Appendix C for smoke detector compatibility data.
See Battery Calculation Worksheet for battery information.

Program #30 Mode

1. Apply power to panel.
2. Press ENT to enter PROGRAM mode
3. Press 6 or scroll down to #6 and press ENT, (The selection is indicated by a flashing arrow next to the number.
4. Enter the password. (Factory default is 1111)
5. Press 1 or press ENT. (1 should be the highlighted selection)
6. The display shows the current program number. Press 30 to change to program 30. Press ENT.
7. Press 1 to accept the change.
8. Press ENT to accept the change.

Failsafe Cross Zoned Activation With Normally Open and Normally Closed Solenoid	PROGRAM #30							
	CONVENTIONAL INPUT ZONES							SOFTWARE ZONES
	#1	#2	#3	#4	#5	#6	#7	#8
OUTPUTS	VALVE TAMPER SUPERVISORY	LOW AIR SUPERVISORY	CONVENTIONAL DETECTION	CONVENTIONAL DETECTION	LOW AIR ALARM	WATER FLOW	MANUAL RELEASE	RELEASE ZONE TYPE
#1 ALARM INDICATING (General Alarm)			X	X		X	X	X
#2 RELEASE NORMALLY ENERGIZED (Failsafe Solenoid, Drops Out on Any System Trouble)			X	X			X	
#3 RELEASE			XX	XX	XX Either Zone 3 & 5 or 4 & 5		X	XX*
#4 ALARM (waterflow alarm)						X		

* Release Outputs which are Cross-Zoned need a Software Zone in order to work properly. The Software Zone Number will be displayed upon a release.

SUP 1 defaults to abort
XX = Cross-Zoned

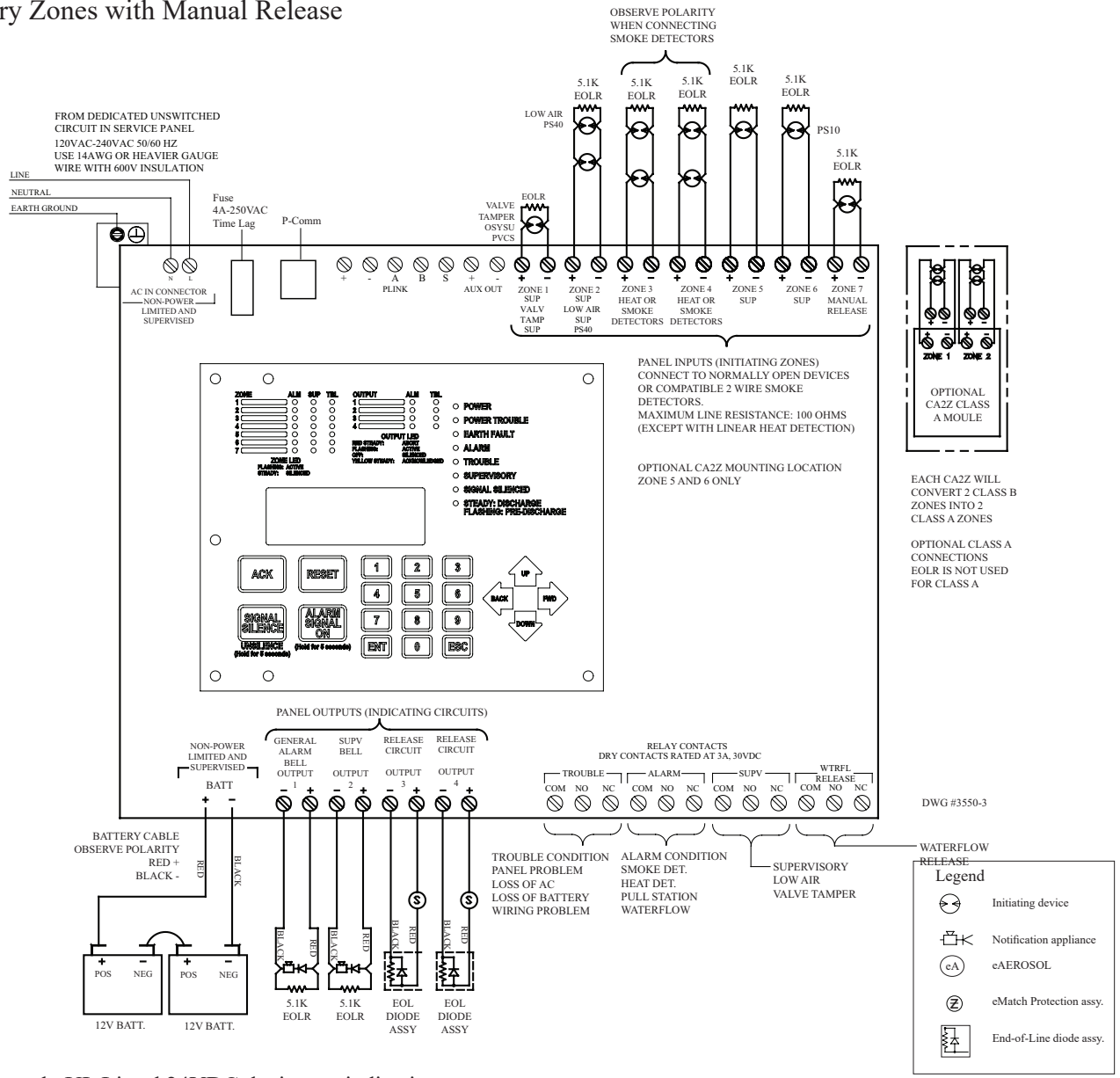
Inputs 2 Supervisory zones, 2 conventional detection zones, 1 Low Air Alarm zone, 1 Waterflow zone, 1 Manual release zone.

Outputs: 1 General alarm Indicating, 1 Failsafe Release Circuit: Normally Energized. de-energizes on any system trouble, 1 Release Circuit: Normally Not Energized, 1 Waterflow alarm output.

Operation: Output 2 is constantly energized. Any trouble condition on the panel will de-energize output 2. Activation of supervisory zone 1 or 2 or activation of Low Air Alarm zone 5, will only create supervisory condition on the panel. Activation of Conventional Detection zone #3 and/or zone 4 will activate General alarm output 1 and De-energize output 2. Activation of either Conventional Detection zone #3 OR zone 4, AND activation of Low Air Alarm zone 5, will energize/activate release output #3. Activation of Manual Release zone #7 will activate General alarm output 1, de-energize failsafe release output 2 and energize/activate release output #3.

Wiring Diagram Program #31

Failsafe Single Hazard, -2 Alarm Zones, 1 Waterflow Zone, 3 supervisory Zones with Manual Release



NOTES:

1. Connect only UL Listed 24VDC devices to indicating circuits.
 2. Connect EOL Diode assembly IN SERIES with solenoid on release circuit
 3. Install EOLR (provided) on all unused circuits.
 4. Polarity is shown on indicating circuits in an activated (off-normal) condition.
 5. Polarity reverses when output is activated.
 6. Maximum current per output is 3 Amp. Maximum voltage is 33VDC.
 7. Outputs identified as Release are Special Application. All other outputs are Regulated 24 VDC, Rated 3 Amp each, 3 Amp total for all 4 circuits.
 8. All initiating and NAC/Release circuits are supervised and power limited. See Main Board Wiring Specifications for wire routing instructions. All frequencies are continuous.
 9. Refer to Appendix A for test and maintenance information
 10. Maximum resistance on outputs is 10 ohms. Maximum resistance on outputs programmed as releasing, is 1 divided by current requirements of solenoid.
- See Appendix C for smoke detector compatibility data.
- See Battery Calculation Worksheet for battery information.

Program #31 Mode

1. Apply power to panel.
2. Press ENT to enter PROGRAM mode
3. Press 6 or scroll down to #6 and press ENT, (The selection is indicated by a flashing arrow next to the number.
4. Enter the password. (Factory default is 1111)
5. Press 1 or press ENT. (1 should be the highlighted selection)
6. The display shows the current program number. Press 31 to change to program 31. Press ENT.
7. Press 1 to accept the change.
8. Press ENT to accept the change.

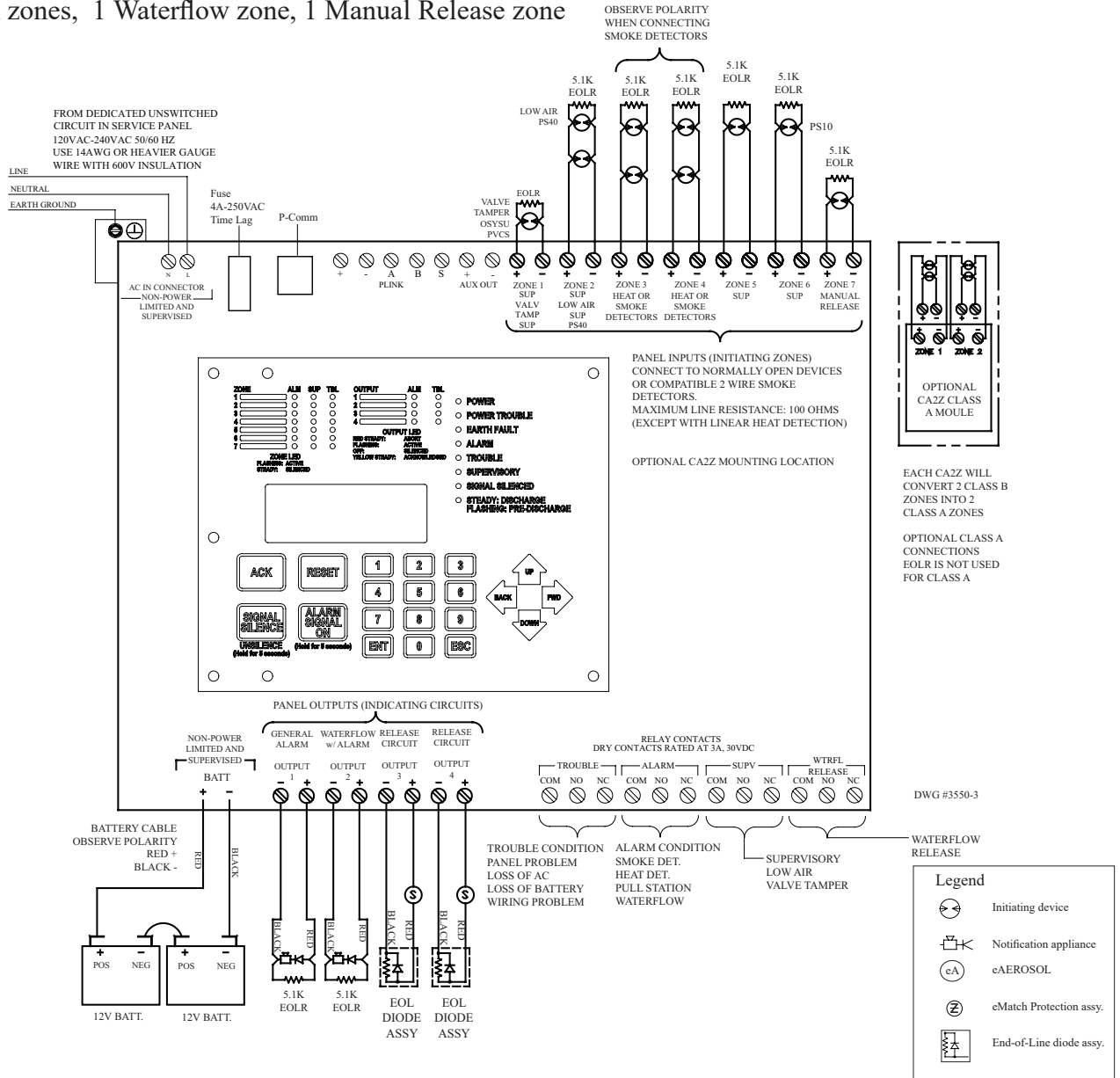
Failsafe Operation Single zone activation Two solenoids, one is Normally Energized	PROGRAM #31						
	CONVENTIONAL INPUT ZONES						
	#1	#2	#3	#4	#5	#6	#7
OUTPUTS	VALVE TAMPER SUPERVISORY	LOW AIR SUPERVISORY	CONVENTIONAL DETECTION	CONVENTIONAL DETECTION	SUPERVISORY	WATER LOW	MANUAL RELEASE
#1 ALARM INDICATING (General Alarm)			X	X		X	X
#2 RELEASE NORMALLY ENERGIZED (Failsafe Solenoid, Drops Out on Any System Trouble)			X	X			X
#3 RELEASE (Solenoid)			X	X			X
#4 ALARM (waterflow alarm)						X	

Inputs: 3 Supervisory zones, 2 conventional detection zones, 1 Waterflow zone, 1 Manual release zone
 Outputs: 1 General alarm Indicating, 1 Release Circuit: Normally Energized. Failsafe, De-energizes on any system trouble, 1 Release Circuit: Normally Not Energized, 1 Waterflow alarm output.

Operation: Output 2 is constantly energized. Any trouble condition on the panel will de-energize output 2. Activation of Supervisory zone 1, zone 2 or Low Diaphragm water Pressure zone 5, will create a supervisory condition on the panel.
 Activation of Conventional Detection zone 3 or zone 4, or Manual Release zone 7 will activate General alarm output 1, De-energize output 2 and energize/activate release output 3.
 Activation of Waterflow zone 6 will activate General alarm output 1 and Waterflow alarm output 4.
 Activation of Manual Release zone #7 will activate General alarm output 1, de-energize failsafe release output 2 and energize/activate release output #3.

Wiring Diagram Program #32

Double Interlock with Redundant Solenoids Crossed Zone - 3 Supervisory zones, 2 Detection zones, 1 Waterflow zone, 1 Manual Release zone



NOTES:

1. Connect only UL Listed 24VDC devices to indicating circuits.
 2. Connect EOL Diode assembly IN SERIES with solenoid on release circuit
 3. Install EOLR (provided) on all unused circuits.
 4. Polarity is shown on indicating circuits in an activated (off-normal) condition.
 5. Polarity reverses when output is activated.
 6. Maximum current per output is 3 Amp. Maximum voltage is 33VDC.
 7. Outputs identified as Release are Special Application. All other outputs are Regulated 24 VDC, Rated 3 Amp each, 3 Amp total for all 4 circuits.
 8. All initiating and NAC/Release circuits are supervised and power limited. See Main Board Wiring Specifications for wire routing instructions. All frequencies are continuous.
 9. Refer to Appendix A for test and maintenance information
 10. Maximum resistance on outputs is 10 ohms. Maximum resistance on outputs programmed as releasing, is 1 divided by current requirements of solenoid.
- See Appendix C for smoke detector compatibility data.
See Battery Calculation Worksheet for battery information.

Program #32 Mode

1. Apply power to panel.
2. Press ENT to enter PROGRAM mode
3. Press 6 or scroll down to #6 and press ENT, (The selection is indicated by a flashing arrow next to the number.
4. Enter the password. (Factory default is 1111)
5. Press 1 or press ENT. (1 should be the highlighted selection)
6. The display shows the current program number. Press 32 to change to program 32. Press ENT.
7. Press 1 to accept the change.
8. Press ENT to accept the change.

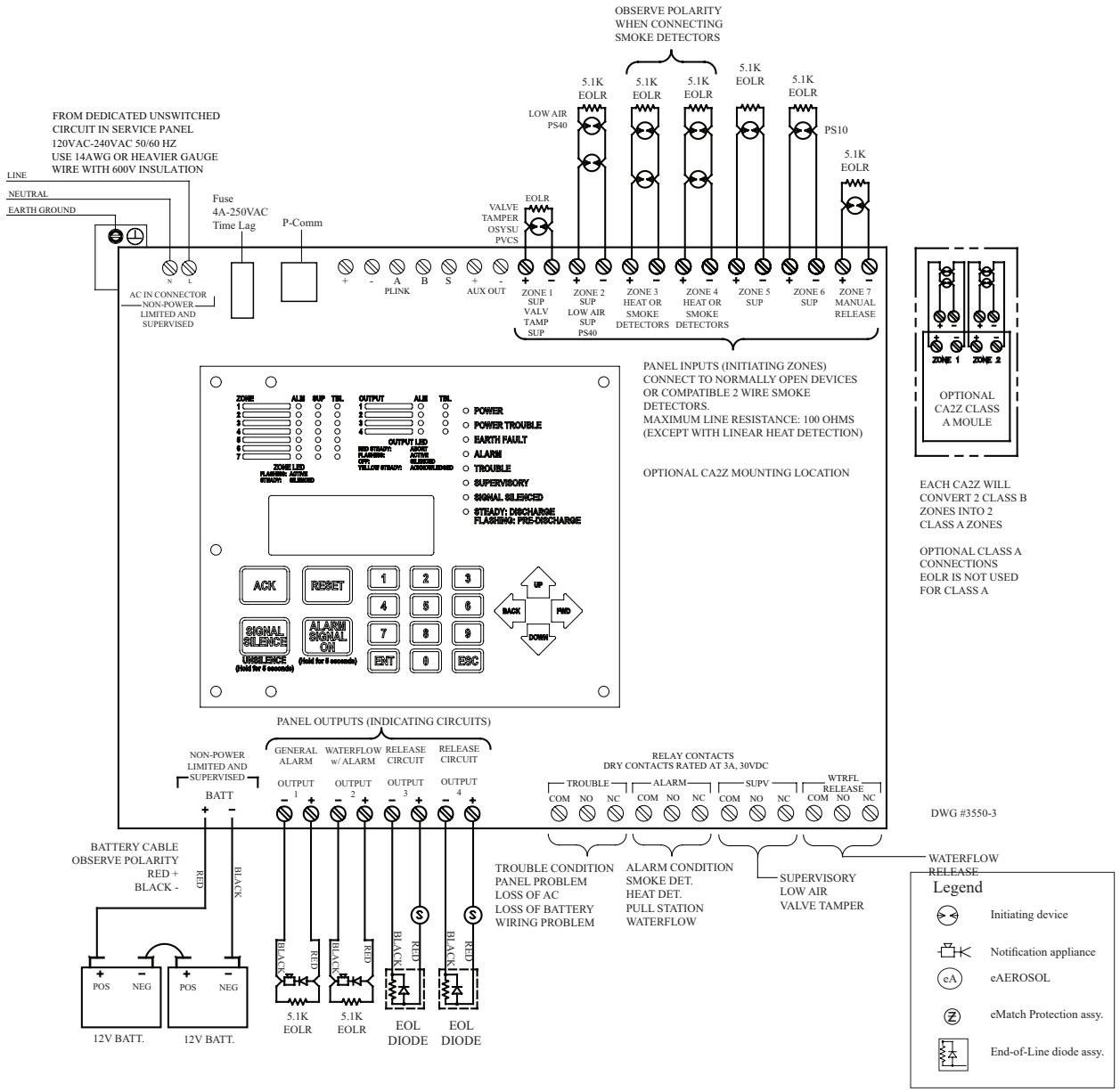
Double Interlock with Redundant Solenoids Cross Zoned Activation	PROGRAM #32								
	CONVENTIONAL INPUT ZONES							SOFTWARE ZONES	
	#1	#2	#3	#4	#5	#6	#7	#8	#9
OUTPUTS	Low Air Supervisory	Valve Tamper	Conventional Detection	Conventional Detection	Low Air Alarm	Waterflow	Manual Release	Release Zone Type	Release Zone Type
#1 GENERAL ALARM			X	X		X	X	X	X
#2 WATERFLOW ALARM						X			
#3 RELEASE SOLENOID			XX	XX	XX Either Zones 3 &5 or 4&5		X	XX*	XX*
#4 RELEASE SOLENOID			XX	XX	XX Either Zones 3 &5 or 4&5		X	XX*	XX*

* Release Outputs which are Cross-Zoned need a Software Zone in order to work properly. The Software Zone Number will be displayed upon a release.

SUP 1 defaults to abort
XX = Cross-Zoned

- Inputs: 3 Supervisory zones, 2 Detection zones, 1 Waterflow zone, 1 Manual Release zone
- Outputs: 1 General Alarm, 1 Waterflow, 2 Release Solenoids
- Operation: Activation of any supervisory zone or Low Air Alarm zone will create a supervisory condition on the panel, no outputs will activate
 Activation of Conventional Detection zone 3 and/or 4 will activate General Alarm output 1
 Activation of either Conventional Detection zone 3 OR 4 AND Low Air Alarm zone 5 will activate General Alarm output 1 and Release Solenoid outputs 3 and 4.
 Activation of Waterflow zone 6 will activate General alarm output 1 and Waterflow output 2.
 Activation of Manual Release zone #7 will activate General Alarm output 1 and Release Solenoid outputs 3 and 4.

Wiring Diagram Program #33 Redundant Solenoids Single Interlock with Single Zone Activation



NOTES:

1. Connect only UL Listed 24VDC devices to indicating circuits.
2. Connect EOL Diode assembly IN SERIES with solenoid on release circuit
3. Install EOLR (provided) on all unused circuits.
4. Polarity is shown on indicating circuits in an activated (off-normal) condition.
5. Polarity reverses when output is activated.
6. Maximum current per output is 3 Amp. Maximum voltage is 33VDC.
7. Outputs identified as Release are Special Application. All other outputs are Regulated 24 VDC, Rated 3 Amp each, 3 Amp total for all 4 circuits.
8. All initiating and NAC/Release circuits are supervised and power limited. See Main Board Wiring Specifications for wire routing instructions. All frequencies are continuous.
9. Refer to Appendix A for test and maintenance information
10. Maximum resistance on outputs is 10 ohms. Maximum resistance on outputs programmed as releasing, is 1 divided by current requirements of solenoid.

See Appendix C for smoke detector compatibility data.
See Battery Calculation Worksheet for battery information.

Program #33 Mode

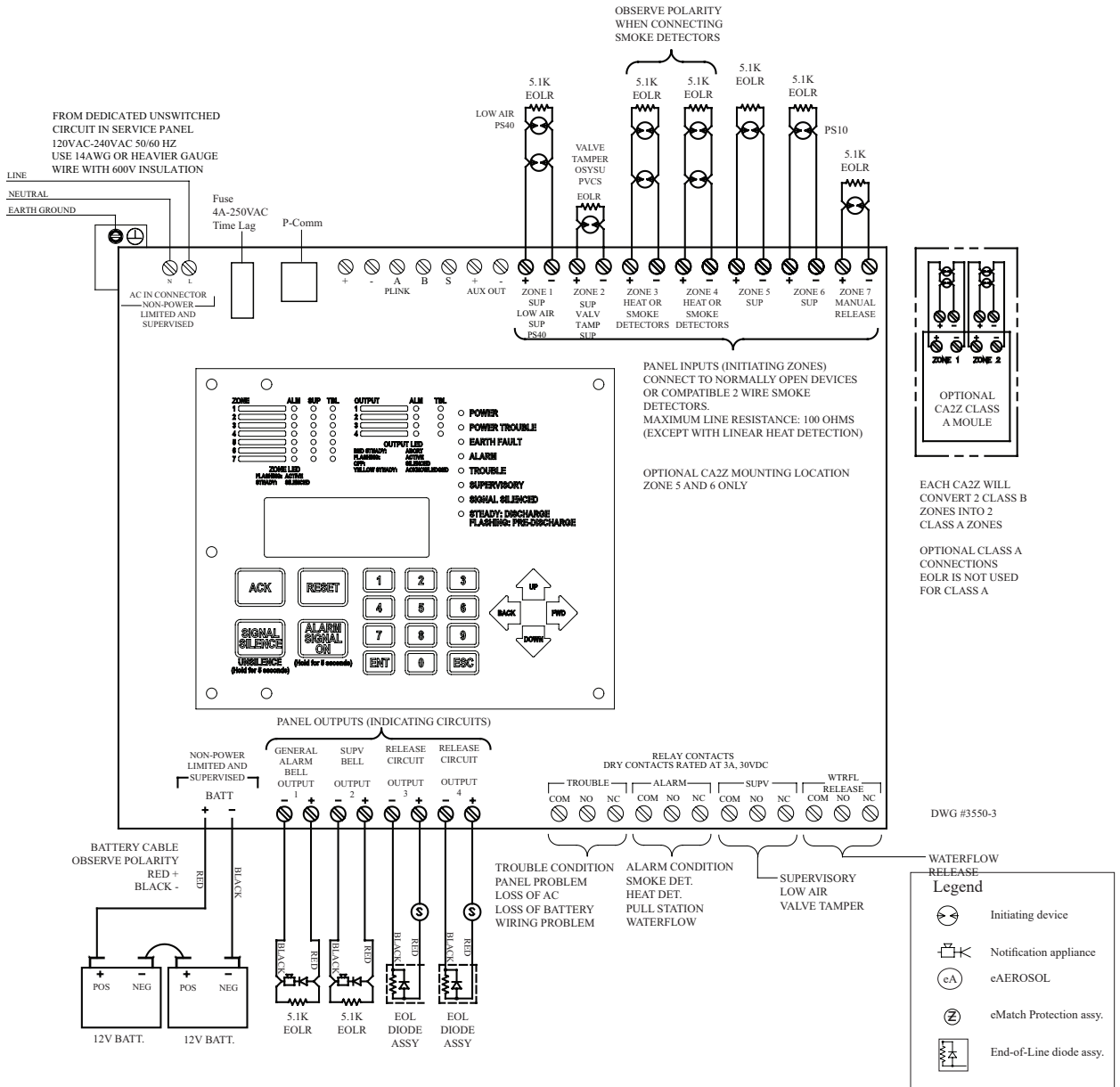
1. Apply power to panel.
2. Press ENT to enter PROGRAM mode
3. Press 6 or scroll down to #6 and press ENT, (The selection is indicated by a flashing arrow next to the number.
4. Enter the password. (Factory default is 1111)
5. Press 1 or press ENT. (1 should be the highlighted selection)
6. The display shows the current program number. Press 33 to change to program 33. Press ENT.
7. Press 1 to accept the change.
8. Press ENT to accept the change.

Redundant Solenoids Single Interlock with Single Zone Activation	PROGRAM #33						
	ZONES						
	#1	#2	#3	#4	#5	#6	#7
OUTPUTS	Low Air Supervisory	Valve Tamper	Conventional Detection	Conventional Detection	Low Air Alarm	Waterflow	Manual Release
#1 GENERAL ALARM			X	X		X	X
#2 WATERFLOW ALARM						X	
#3 RELEASE SOLENOID			X	X			X
#4 RELEASE SOLENOID			X	X			X

Inputs: 3 Supervisory zones, 2 Detection zones, 1 Waterflow zone, 1 Manual Release zone
 Outputs: 1 General Alarm, 1 Waterflow, 2 Release Solenoids
 Operation: Activation of any supervisory zone or Low Air Alarm zone will create a supervisory condition on the panel, no outputs will activate
 Activation of Conventional Detection zone 3 and/or 4 and/or Manual Release zone 7 will activate General Alarm output 1 and Release Solenoid outputs 3 and 4
 Activation of Waterflow zone 6 will activate General alarm output 1 and Waterflow output 2

Wiring Diagram Program #34

Single Hazard Latching Solenoid with Remote reset



NOTES:

1. Connect only UL Listed 24VDC devices to indicating circuits.
2. Connect EOL Diode assembly IN SERIES with solenoid on release circuit
3. Install EOLR (provided) on all unused circuits.
4. Polarity is shown on indicating circuits in an activated (off-normal) condition.
5. Polarity reverses when output is activated.
6. Maximum current per output is 3 Amp. Maximum voltage is 33VDC.
7. Outputs identified as Release are Special Application. All other outputs are Regulated 24 VDC, Rated 3 Amp each, 3 Amp total for all 4 circuits.
8. All initiating and NAC/Release circuits are supervised and power limited. See Main Board Wiring Specifications for wire routing instructions. All frequencies are continuous.
9. Refer to Appendix A for test and maintenance information
10. Maximum resistance on outputs is 10 ohms. Maximum resistance on outputs programmed as releasing, is 1 divided by current requirements of solenoid.

See Appendix C for smoke detector compatibility data.
 See Battery Calculation Worksheet for battery information.

Program #34 Mode

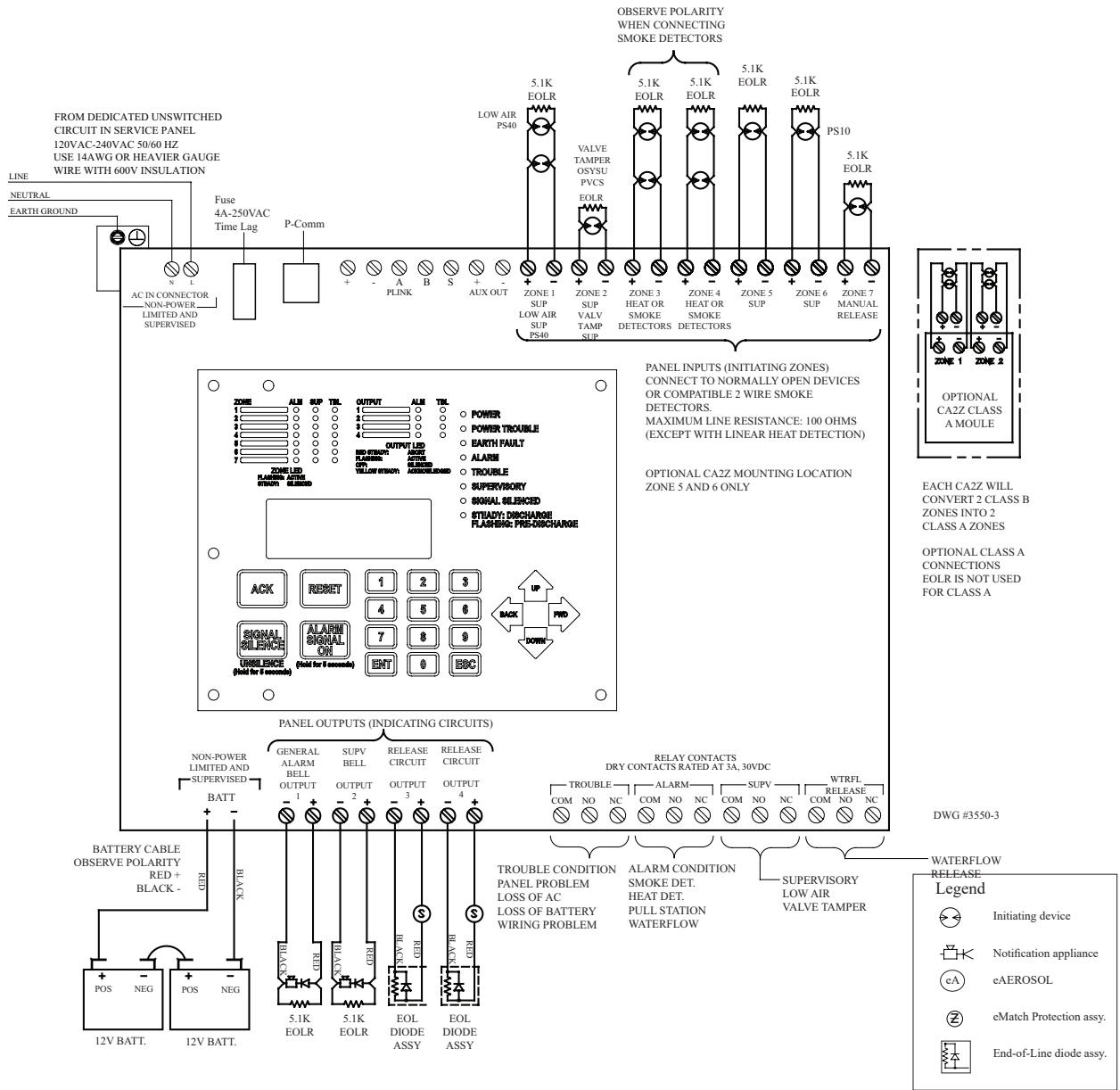
1. Apply power to panel.
2. Press ENT to enter PROGRAM mode
3. Press 6 or scroll down to #6 and press ENT, (The selection is indicated by a flashing arrow next to the number.
4. Enter the password. (Factory default is 1111)
5. Press 1 or press ENT. (1 should be the highlighted selection)
6. The display shows the current program number. Press 1 to change to program 1. Press ENT.
7. Press 1 to accept the change.
8. Press ENT to accept the change.

Single Zone Activation: Latching Solenoid Remote Solenoid Reset	PROGRAM #34						
	ZONES						
	#1	#2	#3	#4	#5	#6	#7
OUTPUTS	Low Air Supervisory	Valve Tamper	Conventional Detection	Conventional Detection	Valve Reset Supervisory	Waterflow	Manual Release
#1 GENERAL ALARM			X	X			X
#2 RELEASE SOLENOID (2 second pulse)			X	X			X
#3 SOLENOID RESET (2 second pulse)					X		
#4 WATERFLOW BELL						X	

- Inputs: 2 Supervisory zones, 2 conventional detection zones, 1 Waterflow zone, 1 Manual release zone, 1 Valve Reset zone
- Outputs: 1 General alarm Indicating, 1 Release circuit, 1 Valve Reset circuit, 1 Waterflow Bell
- Operation: Activation of Supervisory zone 1 or 2 will create a supervisory condition on the panel
 Activation of Conventional Detection zone 3 or 4 will activate General alarm output 1 and temporarily activate release output 2 for two seconds
 Activation of Valve Reset zone 5 will temporarily activate release output 3 to reset the solenoid on the preaction valve and create a supervisory condition
 Activation of Waterflow zone 6 will activate the waterflow bell output 4
 Activation of Manual Release zone #7 will activate General alarm output 1 and temporarily energize release output #2

Wiring Diagram Program #35

Single Hazard Latching Solenoid Cross Zoned with Remote reset



NOTES:

1. Connect only UL Listed 24VDC devices to indicating circuits.
2. Connect EOL Diode assembly IN SERIES with solenoid on release circuit
3. Install EOLR (provided) on all unused circuits.
4. Polarity is shown on indicating circuits in an activated (off-normal) condition.
5. Polarity reverses when output is activated.
6. Maximum current per output is 3 Amp. Maximum voltage is 33VDC.
7. Outputs identified as Release are Special Application. All other outputs are Regulated 24 VDC, Rated 3 Amp each, 3 Amp total for all 4 circuits.
8. All initiating and NAC/Release circuits are supervised and power limited. See Main Board Wiring Specifications for wire routing instructions. All frequencies are continuous.
9. Refer to Appendix A for test and maintenance information

10. Maximum resistance on outputs is 10 ohms. Maximum resistance on outputs programmed as releasing, is 1 divided by current requirements of solenoid.

See Appendix C for smoke detector compatibility data.

See Battery Calculation Worksheet for battery information.

Program #35 Mode

1. Apply power to panel.
2. Press ENT to enter PROGRAM mode
3. Press 6 or scroll down to #6 and press ENT, (The selection is indicated by a flashing arrow next to the number.
4. Enter the password. (Factory default is 1111)
5. Press 1 or press ENT. (1 should be the highlighted selection)
6. The display shows the current program number. Press 1 to change to program 1. Press ENT.
7. Press 1 to accept the change.
8. Press ENT to accept the change.

Latching Solenoid Cross Zoned	PROGRAM #35							
	CONVENTIONAL INPUT ZONES							SOFTWARE ZONES
	#1	#2	#3	#4	#5	#6	#7	#8
OUTPUTS	VALVE TAMPER SUPERVISORY	LOW AIR SUPERVISORY	CONVENTIONAL DETECTION	LOW AIR ALARM	VALVE RESET SUPERVISORY	WATER FLOW	MANUAL RELEASE	RELEASE ZONE TYPE
#1 GENERAL ALARM			X				X	X
#2 RELEASE SOLENOID (2 second pulse)			XX	XX			X	XX*
#3 SOLENOID RESET (2 second pulse)					X			
#4 WATERFLOW BELL						X		

* Release Outputs which are Cross-Zoned need a Pseudo Zone in order to work properly. The Pseudo Zone Number will be displayed upon a release.

SUP 1 defaults to abort
XX = Cross-Zoned

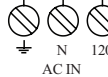
- Inputs: 2 Supervisory zones, 1 conventional detection zone, 1 Low Air Alarm zone, 1 Waterflow zone, 1 Manual release zone, 1 Valve reset zone
- Outputs: 1 General alarm Indicating, 1 Release circuit, 1 Valve Reset circuit, 1 Waterflow Bell
- Operation: Activation of Conventional Detection zone #3 and Low Air Alarm zone #4 at the same time or activation of Manual Release zone #7 will activate and energize release output #2
 Activation of Low Air Alarm zone 4 will create a supervisory condition on the panel
 Activation of Valve Reset zone 5 will reset the solenoid on the preaction valve for two seconds
 Activation of Waterflow zone 6 will activate the waterflow bell output 4

CUSTOM PROGRAM							
	CONVENTIONAL ZONES						
	#1	#2	#3	#4	#5	#6	#7
OUTPUTS							
#1							
#2							
#3							
#4							

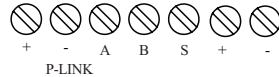
Wiring Diagram Custom Program

TO CIRCUIT BREAKER PANEL
120VAC/60Hz
165VA MAX.
220VAC/50Hz
185VA MAX.

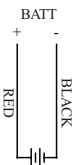
HOT - BLACK
NEUTRAL - WHITE
EARTH GROUND - GREEN



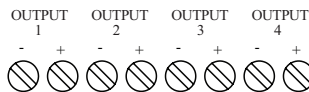
NON-POWER LIMITED AND SUPERVISED



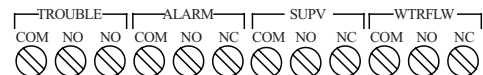
NON-POWER LIMITED AND SUPERVISED



BATTERY CABLE OBSERVE POLARITY
RED +
BLACK -



COMMON RELAY CONTACTS
DRY CONTACTS RATED AT 3A, 30VDC RESISTIVE



Notes:
1. Polarity marked on output terminals is for an activated (off-normal) condition. Polarity reverses when output is activated.

DWG# 3545-99A

Section 6: Programming Options

The control panel can be configured using the on-board keypad or PC based programming tool. The panel stores the site specific configuration data in non-volatile memory.

NOTICE TO USERS, INSTALLERS, AUTHORITIES HAVING JURISDICTION, AND OTHER INVOLVED PARTIES

This product incorporates field-programmable software. In order for the product to comply with the requirements in the Standard for Control Units and Accessories for Fire Alarm Systems, UL 864 and ULC S527, certain programming features or options must be limited to specific values or not used at all as indicated below.

Topic	Feature or Option	Permitted in UL (Y/N)	Possible Settings	Setting(s) Permitted in UL864 / S527	Comment
Misc	Idle LCD Message	Y	Yes/No	All Settings Allowed	
Misc	Display Events	Y	Initial Event Newest Event	Initial Event	Auto display first event
Misc	Waterflow Delay	Y	0-255 Sec	0-90 sec	
Misc	AC Report Delay	Y	0 Minutes, .5 - 30 hours	1-3 Hours	
Misc	Door Holder Low AC Dropout Delay	Y	No delay, 15 Sec, 1 minute, 5 minute	All Settings Allowed	
Misc	Strobes Active When Silenced	Y	Yes/No	All Settings Allowed	
Misc	Disable 24 hours PZT Resound	Y	Yes/No	No	
Misc	Display AM/PM	Y	Yes/No	All Settings Allowed	No = 24hour clock
Misc	Synchronize to Network Time	Y	Yes/No	All Settings Allowed	
Misc	SNTP Server	Y	North-America.Pool.NTP.org	All Settings Allowed	
Misc	Time Zone	Y	24 Time Zone Selections	All Settings Allowed	
Misc	DST Enabled	Y	Yes/No	All Settings Allowed	
Misc	DST Start	Y	Month/Day	All Settings Allowed	
Misc	DST End	Y	Month/Day	All Settings Allowed	
Zone	Zone Style	Y	Alarm Supervisory Waterflow Trouble Releasing Releasing Confirmation Unused System Alarm System Supervisory	All Settings Allowed	
Zone	Silenceable	Y	Yes/No	All Settings Allowed	
Zone	Silence Inhibit	Y	0-60 minutes	All Settings Allowed	
Zone	Auto Silence	Y	3-360 minutes	3-60 UL864 S527 (see comment)	Shall be set in accordance with section 3.2.4.6 of the National Building Code of Canada
Zone	Auto Unsilence	Y	0-60 minutes	All Settings Allowed	

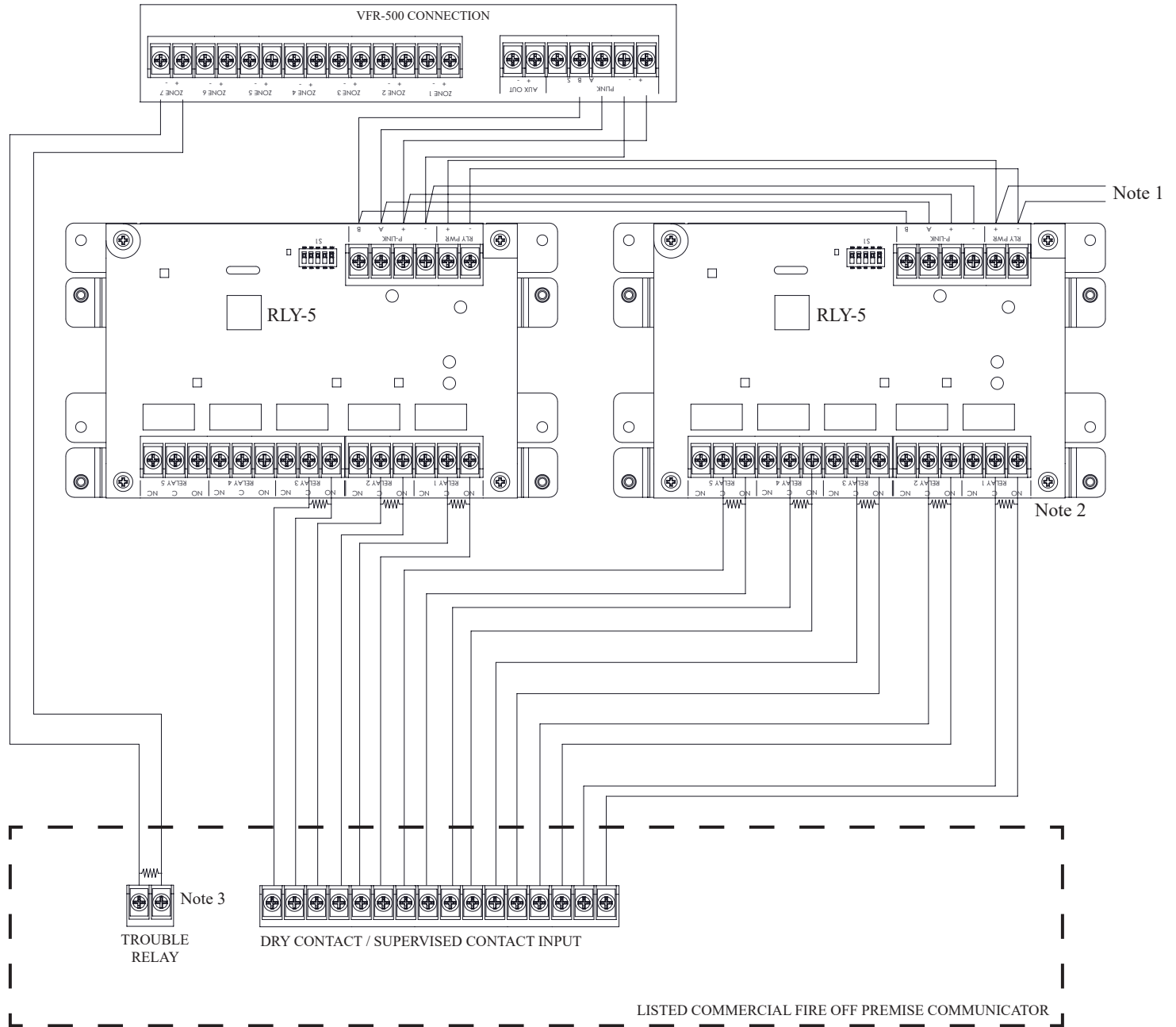
Topic	Feature or Option	Permitted in UL (Y/N)	Possible Settings	Setting(s) Permitted in UL864 / S527	Comment
Zone	Restore Delay	Y	0-300 Sec	Full range allowed	Delay to reactivate devices that turn off on troubles or alarm on panel restoration to normal
Zone	Latching	Y	Yes/No	All Settings Allowed	
Zone	Output Pattern	Y	Constant ANSI Temp 3 March Code Double Time	All Settings Allowed	
IDC	Dry Contact Input Functions	Y	Unused Detection Waterflow Linear Heat Manual Release Smoke Detector Heat Detector Input Abort Firecycle Low Air Alarm Supervisory Valve Tamper Low Air Supervisory High Air Supervisory Remote Reset Remote Silence Valve Reset Release Confirmation	All Settings Allowed Exception: Disabled, remote reset, remote silence and valve reset functions allowed when used with a keyed switch & Release Confirmation. Abort: Available in Agent Release Mode only. Abort on a water-based extinguishing system is not a UL Listed function.	Applies to built in IDCs and optional IDC-6
Outputs	Function	Y	General Purpose AMSECO Sync Gentex Sync System Sensor Sync Wheelock Sync Door Holder Output Door Holder Low AC Drop Release Unused Alarm Indicating Supervisory Trouble Normally Energized Release Pulse Reset Pulse First Alarm Second Alarm		Specifies use of Output circuit(s)
AUX PWR	Function	Y	Constant Output Resettable Output	All Settings Allowed	
E-Mail	Email Status Reports	N	Alarms Troubles Supervisory Test History & Status Reports		

Topic	Feature or Option	Permitted in UL (Y/N)	Possible Settings	Setting(s) Permitted in UL864 / S527	Comment
Releasing	Abort Type	Y	Mode 1-IRI: Abort must be activated before pre-discharge timer starts	Yes	Abort has no affect after second alarm is received by the panel. Requires cross zoning Not repeatable. Does not abort manual release..
			Mode 2-ULI: Stops Predischarge timer at 10 seconds while abort circuit is active.	Yes	If less than 10 seconds is remaining, the timer restores to 10 seconds. Deactivating Abort circuit starts timer at 10 seconds. Repeatable.
			Mode 3 - NYC One time operation that adds 90 seconds to time remaining on discharger when activated	No	Predischarge timer stops at time remaining plus 90 seconds while abort is active.This abort is not repeatable
			Mode 4 -AHJ: Stops Predischarge timer at 30 seconds while abort circuit is active.	No	If less than 30 seconds is remaining, the timer restores to 30 seconds. Deactivating Abort circuit starts timer again. Repeatable.
			Mode - 5 PRA Post Release Abort. Used after the release circuit has activated.	No	De-energizes the release circuit, allowing the suppression agent to stop discharging without resetting the panel Abort circuit may be on zone 2-7
			Mode - 6 IRI & PRA Provides both the IRI abort mode and the PRA abort mode	No	Requires 2 abort inputs to operate. IRI abort shall be on Zone 1. PRA may be on Zone 2-7.
			Mode 7 - ULI & PRA Provides both the ULI abort mode and the PRA abort mode	No	Requires 2 abort inputs to operate. ULI abort shall be on Zone 1. PRA may be on Zone 2-7.
			Mode 8 - NYC & PRA Provides both the NYC abort mode and the PRA abort mode	No	Requires 2 abort inputs to operate. NYC abort shall be on Zone 1. PRA may be on Zone 2-7
			Mode 9 - AHJ & PRA Provides both the AHJ abort mode and the PRA abort mode	No	Requires 2 abort inputs to operate. AHJ abort shall be on Zone 1. PRA may be on Zone 2-7.
Releasing	Pre-Release timer	Y	0-60 Sec	Full range	Length of time of pre-release

Topic	Feature or Option	Permitted in UL (Y/N)	Possible Settings	Setting(s) Permitted in UL864 / S527	Comment
Releasing	Pre-Release Timer - Manual Station	Y	0-30Seconds	Full Range	Length of time of pre-release
Releasing	Pre-Release Pattern	Y	Constant ANSI Temp 3 March Code Double Time	ANSI not allowed	NAC Output Pattern during pre-release
Releasing	Manual Release Abort Allowed	Y	Yes/No	All settings allowed	Specifies if manual Release can be aborted. Default is No
Releasing	Soak Timer	Y	0-30 Minutes (0.1 min increments) 0-300 Minutes (1 min increments)	All settings allowed	Length of Time the Release circuit is active post-release

Section 7: Communication Options

Connection Drawing for Central Station and Remote Station Operation of VFR-500 to Listed Commercial Fire Off Premise Communicator



Note 1: Refer to Figure 30. for RLY-5 power wiring options

Note 2: EOLR as required by listed commercial fire off premise communicator

Note 3: Potter EOLR (3005013)

Installation Requirements

- Installation and programming of Listed commercial fire off premise communicator shall be in accordance with manufacturer documentation and applicable local codes and standards. Consult listed commercial fire off premise communicator documentation for communication pathways and transmitter/receiver compatibility
- Each RLY-5 relay shall be wired to a dry contact / supervised contact input of the listed commercial fire off premise communicator. Consult commercial fire off premise communicator installation documentation for wiring restrictions.
- Commercial fire off premise communicator shall have at least one trouble relay and shall be wired to a TROUBLE input on the VFR-500. Relay may be programmed for primary power trouble transmission delay if required.
- Commercial fire off premise communicator shall have an input for each alarm zone
- Commercial fire off premise communicator shall have 2 additional inputs for trouble and supervisory
- Commercial fire off premise communicator shall have its own primary and secondary power sources or may be connected to VFR-500's continuous Auxiliary Power if voltage and current ratings are compatible. Refer to Figure 10 for connections and voltage / current compatibility.

VFR-500 Programming Requirements

- 1 relay shall be mapped to each alarm input zone.
- 1 relay shall be mapped to a trouble zone
- 1 relay shall be mapped to a SYS. Supervisory zone
- 1 Input shall be a TROUBLE type and shall be wired to commercial fire off premise communicator trouble contact

NOTICE

For US installations the commercial fire off premise communicator shall be Listed to 10th Edition UL864
 For Canada installations the commercial fire off premise communicator shall be listed to CAN/ULC-S559

Section 8: Appendices

Appendix A: System Maintenance and Testing

CAUTION

Testing the panel or associated devices may result in a discharge of the suppression system. All necessary precautions shall be taken to prevent an unwanted activation of the suppression system. Read, understand and follow all testing instructions as well as all cautions, warnings and notices associated with the suppression system and this panel before beginning any testing or servicing.

Acceptance Test

The control panel is required to be installed in accordance with local and state building codes and NFPA 72 (For Canada: ULC Standard CAN/ULC-S536). At the conclusion of each original installation or modification of this system, the control panel and related system is required to be inspected and tested in accordance with NFPA 72 (For Canada: ULC Standard CAN/ULC-S536) to verify compliance with the applicable standards.

Testing shall be conducted by personnel trained in the operation of this panel and the suppression system it is operating. Testing shall be conducted in the presence of a representative of the Authority Having Jurisdiction (AHJ) and the building owners representative. Refer to NFPA 72 (*National Fire Alarm Code*), Inspection Testing and Maintenance chapter. For Canada refer to ULC Standard CAN/ULC-S536

Periodic Testing and Service

Periodic testing and maintenance of the control panel, all initiating points, all notification appliances and any other associated equipment is essential to ensure the system will operate as designed in emergency situations. Service and test the control panel according to the schedules and procedures outlined in the following documents:

- NFPA 72, Inspection, Testing and Maintenance chapter. (For Canada refer to ULC Standard CAN/ULC-S536)
- Service manuals and instructions for any and all peripheral points installed in the system. It is very important that any and all trouble conditions (or faults) be corrected immediately.

Operational Checks

During interim periods between formal testing and at regular intervals the control system should be subjected to the following operational performance checks. The Authority Having Jurisdiction (AHJ) should be consulted for requirements on frequency of system testing.

- Check that the green AC power LED is lit.
- Check that all amber LED's are off.
- Using the system menus, perform a Lamp Test function. Verify that all LED's operate.
- Before proceeding: (1) Disable the suppression system to prevent an unwanted discharge of the suppression system. (2) Notify the fire department and the central alarm receiving station if transmitting alarm status conditions; (3) Notify facility personnel of the test so that alarm-indicating points are disregarded during the test period; and (4) When necessary, bypass activation of alarm notification appliances and speakers (if installed) to prevent sounding of evacuation signals.
- Activate an input device (*i.e., manual station, heat or smoke detector*), and check that all notification appliances function.
- Notify Fire Department, central alarm receiving station and /or building personnel when finished with testing the system.
- The test of ground fault must be measured in below 10k ohms impedance.
- Make certain that the panel and all releasing devices are in a non-alarm/unactivated condition.
- Restore the suppression system back to service

Replacement and Testing Recommendations

The batteries are to be replaced at least once every four years or more frequently if specified by local AHJ and manufacturer recommendations. Batteries should be dated at the installation. Minimal replacement battery capacity displays on the control panel marking label. The batteries are required to be UL Recognized batteries with a date of manufacture permanently marked on the battery. The battery is to be tested at least annually and if the battery is showing signs of failure, it should be replaced. Immediately replace a damaged or leaking battery, and always replace batteries in pairs.

Proper Handling / First Aid Procedures

- In the event a battery leaks and contact is made with the Sulfuric Acid, immediately wash skin with water for at least 15 minutes. Water and household baking soda provides a good neutralizing solution for Sulfuric Acid.
- If Sulfuric Acid makes contact with eyes, flush with water for 15 minutes and seek immediate medical attention.
- Ensure proper handling of the battery to prevent short-circuits.
- Take care to avoid accidental shorting of the leads from uninsulated work surfaces, tools, jewelry and coins.
- If a battery is shorted, the battery and any connected equipment may be damaged. Additionally, a short may injure personnel.

Appendix B: Compatibility Table

This section provides a listing of all Output appliances, two-wire (2-wire) smoke detectors, and remote annunciator device compatibilities.

Table 11: Device Compatibilities	
Module/Device	Compatibilities
Output Appliances	Refer to Potter document “5403592 <i>Output Compatibility Document</i> ”.
Two-Wire (2-Wire) Smoke Detectors	Refer to Appendix C for a complete listing of 2-wire smoke detectors.
P-Link	RA-4410G3 - LCD Remote Annunciator PSN-1000 – Intelligent Power Supply Expander LED-4410G3 Annunciator RLY-5 – Relay Board IDC-6 - Initiating Device Circuit Module
Class A Expander	CA-4064 Class A Expander
Releasing Device	Refer to Potter document 5403615 Releasing device capability

Appendix C: Compatible Conventional Smoke Detectors & Bases Table Compatibility List ID A

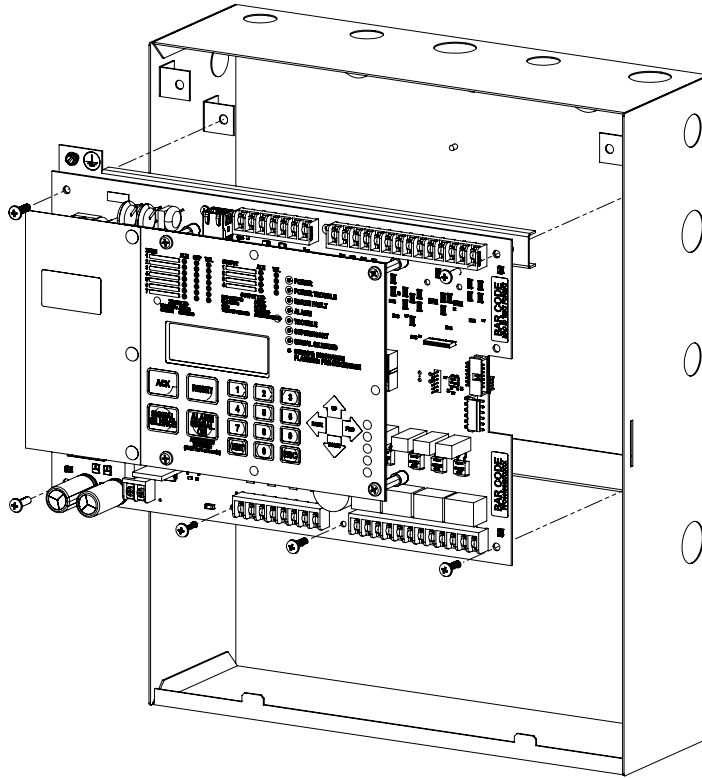
Table 12: Smoke Detector & Bases Compatibilities

Detector Model	Identifier	Base Model	Identifier
SYSTEM SENSOR (Brk) (Max. No. Of Detectors Per Zone Is 20)			
1400*	A	N/A	N/A
2400*	A	N/A	N/A
2400TH*	A	N/A	N/A
2W-B	A	N/A	N/A
C2W-BA (ULC Listed Only),	A	N/A	N/A
C2WT-BA (ULC Listed Only)	A	N/A	N/A
DETECTION SYSTEM (Max. No. Of Detectors Per Zone Is 25)			
DS250	A	MB2W/MB2WL	A
DS250TH	A	MB2W/MB2WL	A
ESL (Max. No. Of Detectors Per Zone Is 25)			
611U	S10	601U	S00
611UD	S10	601U	S00
611UT	S10	601U	S00
612U	S10	601U	S00
612UD	S10	601U	S00
613U5	S10	601U	S00
611UD	S10	609U10	S00
612UD	S10	609U10	S00
425C	S10	N/A	N/A
425CT	S10	N/A	N/A
HOCHIKI (Max. No. Of Detectors Per Zone Is 25)			
SLR-24*	HD-3	HSC-221R	HB-71
		HSB-221	HB-54
		HSB-2211	HB-54
		NS6-221	
		NS4-221	
		NS6-220	HB-3
SLR-24H*	HD-3	HSC-221R	HB-71
		HSB-221	HB-54
		HSB-2211	HB-54
		NS6-221	
		NS4-221	
SIJ-24*	HD-3	HSC-221R	HB-71
		HSB-221	HB-54
		HSB-221N	HB-54
		NS6-221	
		NS4-221	
Detector Model	Identifier	Base Model	Identifier

HOCHIKI (Max. No. Of Detectors Per Zone Is 25)			
SOC-24V*	HD-3	HSB-221	HB-54
		NS6-221	HB-4
		NS4-221	HB-4
		NS6-220	HB-3
SOC-24VN*	HD-3	HSB-221	HB-54
		NS6-221	HB-4
		NS4-221	HB-4
		NS6-22o	HB-3
FENWAL (Max. No. Of Detectors Per Zone Is 25)			
CPD-7051*	I51FE1	2-WIRE	FE51A
POTTER (Max. No. Of Detectors Per Zone Is 25)			
PS-24*	HD-3 (HOCHIKI)	SB-46	HB-71(HOCHIKI)
			HB-54 (HOCHIKI)
		SB-93	HB-3 (HOCHIKI)
PS-24H	HD-3 (HOCHIKI)	SB-46	HB-71 (HOCHIKI)
			HB-54 (HOCHIKI)
IS-24*	HD-3 (HOCHIKI)	SB-46	HB-71 (HOCHIKI)
			HB-54 (HOCHIKI)
CPS-24N	HD-3 (HOCHIKI)	SB-46	HB-4 (HOCHIKI)
		SB-93	HB-3 (HOCHIKI)
CPS-24N	HD-3 (HOCHIKI)	SB-46	HB-4 (HOCHIKI)
		SB-93	HB-3 (HOCHIKI)
* UL and ULC Listed			
NOTE: If using a mix of System Sensor and other smoke detectors, a maximum of 20 detectors shall be permitted.			

Appendix D: Installation Notes

Circuit board assembly is mounted in the cabinet using six (6) fasteners as shown in the illustration below.





Operating Instructions for VFR-500 Releasing Panel

- Normal Standby** User defined custom message, date and time and ALL SYSTEMS NORMAL displayed on LCD. Green power LED on. All indicators other than power are off.

- Alarm Condition** Zone, or user specified description and “ALARM” is displayed with input type and input number on LCD. Red ALARM LED flashes. Audible/Visual indicators on.

- To Abort System
(Only available on
Agent Suppression
Systems. See
description of Abort
at Abort station)** If display reads “ALARM” or "Pre Release", immediately check the protected area. If no emergency condition is apparent, it is possible to stop the system (dependent on program type) by operating the abort switch. Pressing and holding the abort switch may prevent the pre-discharge timer from starting. This allows for a more thorough investigation of the area. Releasing the abort button will resume the countdown to discharge. If a zone programmed as MANUAL RELEASE has been activated, the abort may not be allowed to stop the system from activating.

- To Silence Alarm** Do not silence an alarm until it has been determined that an emergency condition does not exist. To silence, open door and press SIGNAL SILENCE button.

- To Reset Alarm** After the condition that caused an alarm has been corrected, press the RESET button.
Do not press RESET until the alarm event has been fully investigated and an All-Clear signal has been given by authorized personnel.

- Trouble Condition** Yellow System Trouble indicator flashes and buzzer is on. The display indicates the specific trouble condition and circuit.

- To Silence Trouble** Open door, use up/down arrow keys to view and ACK button to acknowledge all trouble conditions. The panel will not silence until all events have been acknowledged. For most trouble conditions the panel automatically restores to normal when the trouble condition has been corrected. Some trouble conditions require operation of the RESET button for restoration.
*Note: The problem must be corrected as soon as possible as this may make the system inoperative.
Contact your service organization if necessary.*

- Supervisory Condition** The display will show the particular supervisory condition, “SUPERVISORY”, “TAMPER”, “LOW AIR”, “HIGH AIR”, LOW AIR, and the circuit. The Amber supervisory LED flashes. The local buzzer will sound. Any indicating appliance which has been described as “SUPERVISORY” will also sound.

- To Silence Supervisory** Open door, use up/down arrow keys to view and ACK button to acknowledge all supervisory conditions.

- To Reset Supervisory** After the supervisory condition has been restored, press the RESET button. This may vary depending on the program used.

- Alarm Signal Activation** Press and hold ALARM SIGNAL ON for up to 5 seconds

- Fuse Replacement** Use only 4 Amp 250 VAC Time-Lag fuse. The fuse is for protection of the batteries and charging circuit.

Testing and Maintenance:

Test this system monthly or more frequently if required by the AHJ. Before testing notify the monitoring facility and/or building personnel if applicable. Take care not to activate the release circuit during testing. Test all initiating zones and notification circuits as described in the test procedure in the Potter VFR-500 manual #5403789. Test in accordance with NFPA 72 Inspection, Testing and Maintenance chapter (For Canada: ULC Standard CAN/ULC-S536) and any local requirements. Test batteries in accordance with battery manufacturer instructions or with battery tester acceptable to the AHJ such as Stone Technologies model STC612A. Mark date of installation on batteries and replace every 4 years or sooner depending on test results or if panel indicates Low Battery. Contact the agency listed below for service.

For Service Call: _____
 Address: _____
 Telephone: _____

Installer: Frame and place adjacent to control panel and at eye level.

A copy of the applicable Abort description on pg 6-104 of manual 5403789 should also be framed and hung at the panel and at every abort station.