



## Foam Storage Tanks | Foam Bladder Tank | FT Vertical Bladder Tank - PED Compliant



Shown with pre-installed proportioner (available as an option)  
Flame red RAL3000 colour shown (other colours available on request)

SPECIFICATIONS	
Related documents	None available
Approvals	    
Design pressure	12.1 bar (175 psi)*
Volume	200 - 15,000 litres
Material (Tank)	Steel with corrosion resistant epoxy/ polyurethane finish
Material (Bladder)	Bladder in nylon-reinforced hypalon neoprene polymers
Weight	See table
* Others available on request	

Part number	Volume (l)	Dimensions							Weight (kg)
		Ød (inch)	A (mm)	B (mm)	C (mm)	ØD (mm)	T (mm)	ØF (mm)	
EFTV00200	200	2"	1,550	1,100	581	600	15	18	170
EFTV00400	400	2"	2,100	1,650	581	600	15	18	215
EFTV00600	600	2"	2,000	1,450	756	800	15	18	355
EFTV01000	1,000	2-1/2"	2,074	1,485	765	1,000	15	18	410
EFTV01500	1,500	2-1/2"	2,725	2,140	765	1,000	15	18	505
EFTV02000	2,000	2-1/2"	2,875	2,290	835	1,100	15	18	715
EFTV02500	2,500	3"	2,967	2,398	920	1,200	15	25	940
EFTV03000	3,000	3"	3,141	2,544	995	1,300	15	25	1,030
EFTV03500	3,500	3"	3,197	2,540	1,065	1,400	15	25	1,335
EFTV04000	4,000	3"	3,325	2,654	1,100	1,450	15	25	1,355
EFTV04500	4,500	3"	3,352	2,667	1,135	1,500	15	25	1,460
EFTV05000	5,000	3"	3,303	2,591	1,210	1,600	15	25	1,680
EFTV05500	5,500	3"	3,553	2,641	1,210	1,600	15	25	1,780
EFTV06000	6,000	3"	3,408	2,642	1,315	1,750	15	25	2,060
EFTV06500	6,500	3"	3,457	2,627	1,350	1,800	15	25	2,090
EFTV07000	7,000	3"	2,162	2,278	1,500	2,000	20	25	2,175
EFTV07500	7,500	3"	3,312	2,428	1,500	2,000	20	25	2,260
EFTV08000	8,000	3"	3,512	2,628	1,500	2,000	20	25	2,385
EFTV08500	8,500	3"	3,662	2,778	1,500	2,000	20	25	2,560
EFTV09000	9,000	3"	3,812	2,958	1,500	2,000	20	25	2,650
EFTV10000	10,000	3"	4,162	3,278	1,500	2,000	20	25	2,735
EFTV11000	11,000	3"	4,462	3,578	1,500	2,000	20	25	3,000
EFTV12000	12,000	3"	4,812	3,928	1,500	2,000	20	25	3,240
EFTV13000	13,000	3"	5,262	4,378	1,500	2,000	20	25	3,500
EFTV14000	14,000	3"	5,612	4,728	1,500	2,000	20	25	3,700
EFTV15000	15,000	3"	5,962	5,078	1,500	2,000	20	25	3,900

Note: This document contains basic product information only. Information, photos and drawings are not contractually binding. In all cases, the manufacturer's full technical documentation (see "Related Documents" above) remains the reference document. Note that certificates, test reports and approvals may be published in the OEM name. The contents of this publication are subject to modifications without notice. All rights reserved

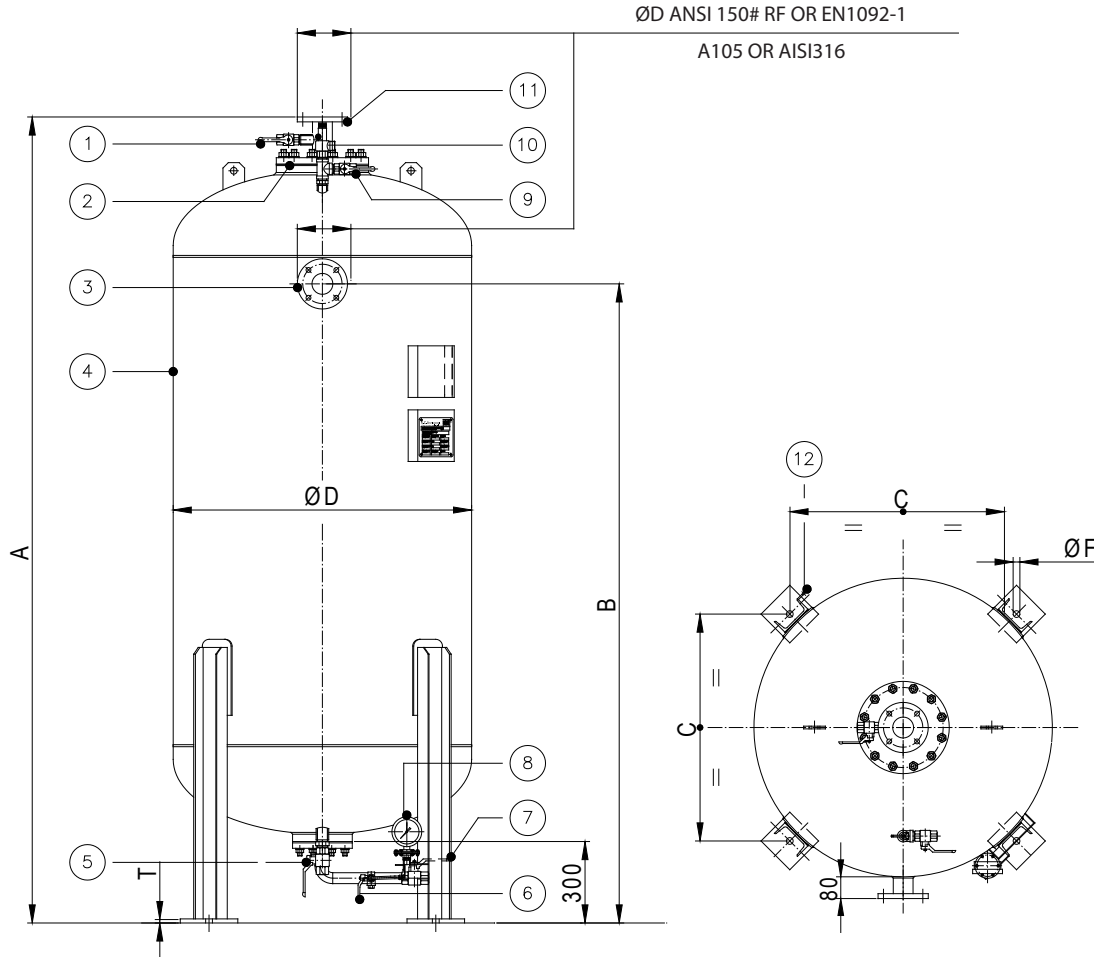
Trusted above all.

Viking S.A. (ed.) | 21, Z.I. Haneboesch | L-4562 Differdange/Nieder Korn | Luxembourg | vikinglux@viking-emea.com | www.viking-emea.com





Foam Storage Tanks | Foam Bladder Tank | FT Vertical Bladder Tank - PED Compliant



Item	Description	Item	Description
1	Foam vent valve	7	Foam concentrate fill/drain valve
2	Bladder	8	Foam level indicator
3	Water inlet flange	9	Water vent valve
4	Tank	10	Thermal relief valve
5	Water drain valve	11	Foam outlet valve
6	Foam level indicator valve	12	Earth lug

Note: This document contains basic product information only. Information, photos and drawings are not contractually binding. In all cases, the manufacturer's full technical documentation (see "Related Documents" above) remains the reference document. Note that certificates, test reports and approvals may be published in the OEM name. The contents of this publication are subject to modifications without notice. All rights reserved

Trusted above all.

Viking S.A. (ed.) | 21, Z.I. Haneboesch | L-4562 Differdange/Nieder Korn | Luxembourg | vikinglux@viking-emea.com | www.viking-emea.com

