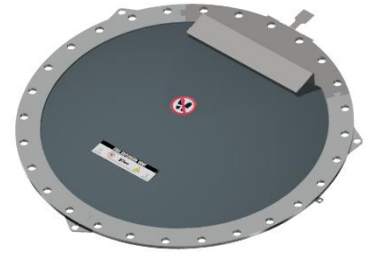


Gas Engine Exhaust Protection Vent

Type Fike EXV™-GEP-I

The Fike EXV-GEP-I explosion vents are high performance explosion vents specially designed for the protection of gas engine exhaust systems. They are suitable to be used with the high temperatures, cycling operating pressures and vibrations prevailing in gas engine exhaust systems and provide in addition thermal and acoustic insulation.



SPECIFICATIONS

Type		EXV-GEP-I	
Sizes⁽¹⁾		DN500 to DN1400	
Material of Construction	Wetted/non-wetted parts	1.4301 (304 SST)	
	Seal	Graphite	
	Insulation	Pyrogel XTE	
Burst Pressure		7.25 psig at 806°F	500 mbarg at 430°C
Burst Pressure Tolerance		7.25 ±0.725 psig at 806°F	500 ±50 mbarg at 430°C
Maximum Operating pressure		80% of minimum burst pressure	
Maximum Vacuum Rating		0.73 psi	50 mbarg
Operating Temperature Range		-40°F up to 1022°F	-40°C up to 550°C
Ambient Temperature Range		-40°F up to 140°F	-40°C up to 60°C
Process Connections		EN1092-1 PN 2.5/6 dual flange rating for sizes ≤DN1000 EN1092-1 PN6 flange rating for sizes >DN1000 DIN86044 PN6 flange rating for size DN550	
Relief Area	DN500	1.61 ft ²	0.150 m ²
	DN550	2.05 ft ²	0.190 m ²
	DN600	2.44 ft ²	0.227 m ²
	DN700	3.43 ft ²	0.319 m ²
	DN800	4.64 ft ²	0.431 m ²
	DN900	5.93 ft ²	0.551 m ²
	DN1000	7.52 ft ²	0.699 m ²
	DN1200	11.03 ft ²	1.026 m ²
Explosion Hazards	K_g	≤ 170 bar.m/s	
	P_{pred,max}	22.77 psig (DN500) 14.79 psig (DN550 to DN900) 14.07 psig (DN1000 to DN1400)	1.57 barg (DN500) 1.02 barg (DN550 to DN900) 0.97 barg (DN1000 to DN1400)
	P_{max}	116.03 psi	8.0 bar
	Compliant	NFPA 68	

Approvals		
ATEX Approvals	Marking	Ex II G
	Norms	EN 14797
	Certification	TÜV IT 23 ATEX 0107 X
European Conformity CE Approval		CE 0948
Other Approvals		N/A

1) Other sizes between DN500 and DN1400 available upon request, contact Fike.

OPTIONS

- Flameless Venting

Flame filter that quenches the flames that are ejected through the opened explosion vent.

- GEX → More information can be found on datasheet X.2.62.01.

INSTALLATION REQUIREMENTS

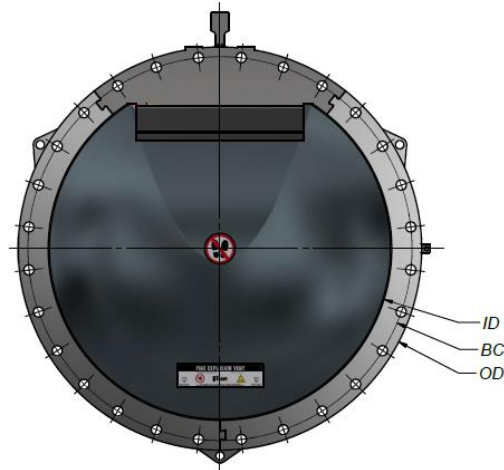
The EXV-GEP-I products do not come with process gaskets or outlet gaskets which enables the end user flexible to use their preferred high temperature gasket between the flange and the EXV-GEP-I.

Additional holddown frame required which can also be delivered by Fike if necessary.

Bolts, nuts and washers are provided by the customer.

DIMENSIONS

Fike offers a range of circular Fike EXV-GEP-I explosion panels with the following dimensions.



Size	ID Top Frame	BC	OD Top Frame	ID Hold Down Flange	Weight		Bolt Specifications	
					lbs	kg	Qty	Size
DN500	494	600	645	511	34.3	15.6	20	M20
DN550	551	650	703	563	41.4	18.8	20	M20
DN600	595.8	705	755	613	44.5	20.2	20	M24
DN700	696.8	810	860	714	47.2	21.4	24	M24
DN800	798.8	920	975	816	54.9	24.9	24	M27
DN900	898	1020	1075	917	83.8	38.0	24	M27
DN1000	1001.8	1120	1175	1019	114	51.9	28	M27
DN1200	1204	1320	1375	1224	144	65.5	32	M27
DN1400	1396	1520	1575	1424	195	88.5	36	M27

ORDERING

Following sizes are standard available with a burst pressure of 500 ±50mbarg at a temperature of 430°C.

Sizes ⁽²⁾	Part number
DN500	F0286758
DN550	F0287085
DN600	F0286858
DN700	F0287101
DN800	F0286989
DN900	F0286845
DN1000	F0287078
DN1200	F0286931
DN1400	F0286866

2) Other sizes available between DN500 and DN1400 with a burst pressure ≤ 500mbarg and a temperature ≤ 430°C upon request, contact Fike.

- Options⁽³⁾
 - GEX

3) The GEX needs to be ordered separately.